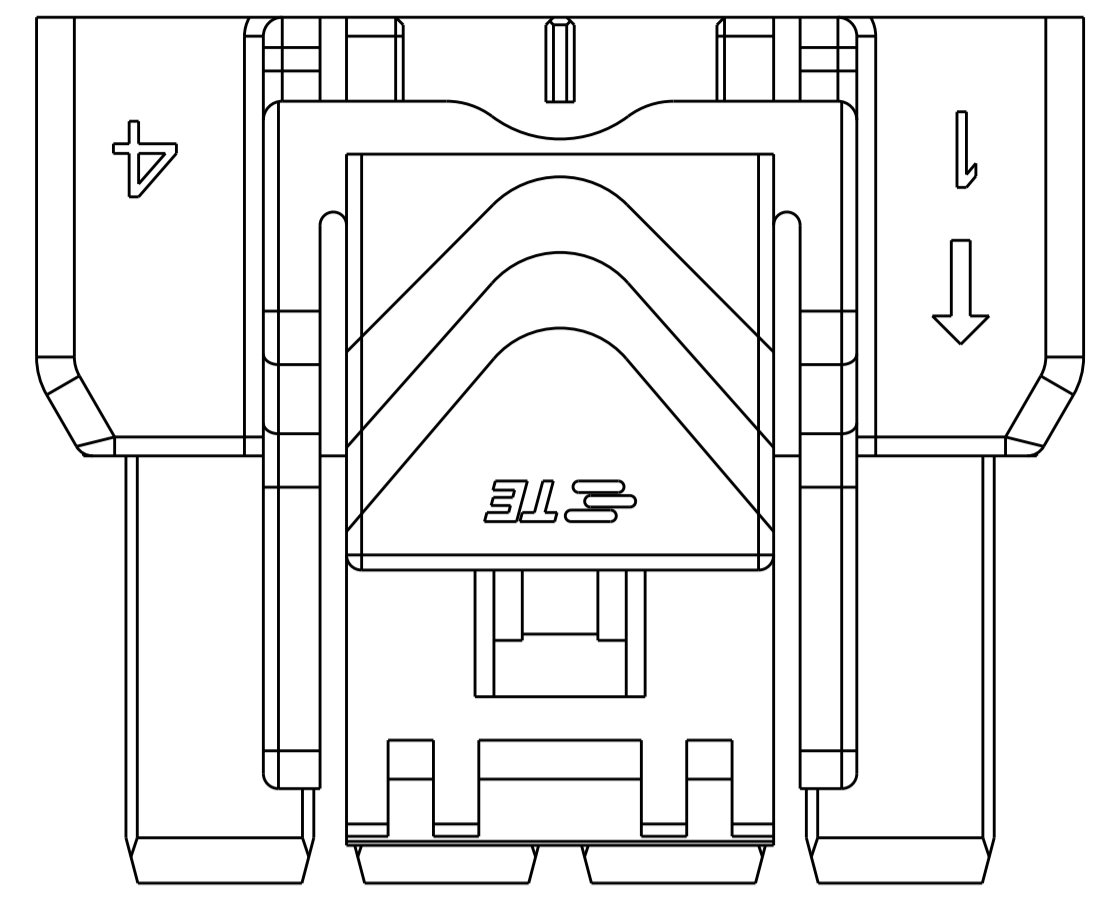
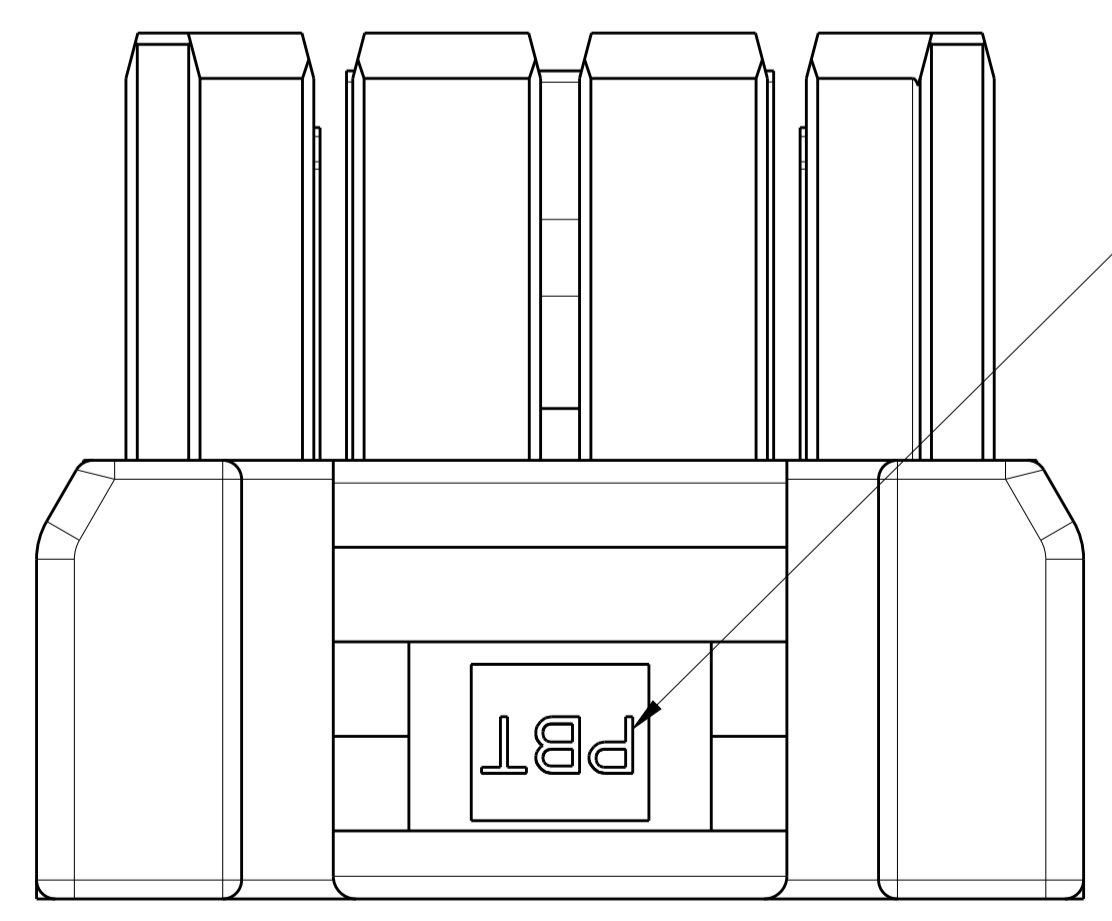
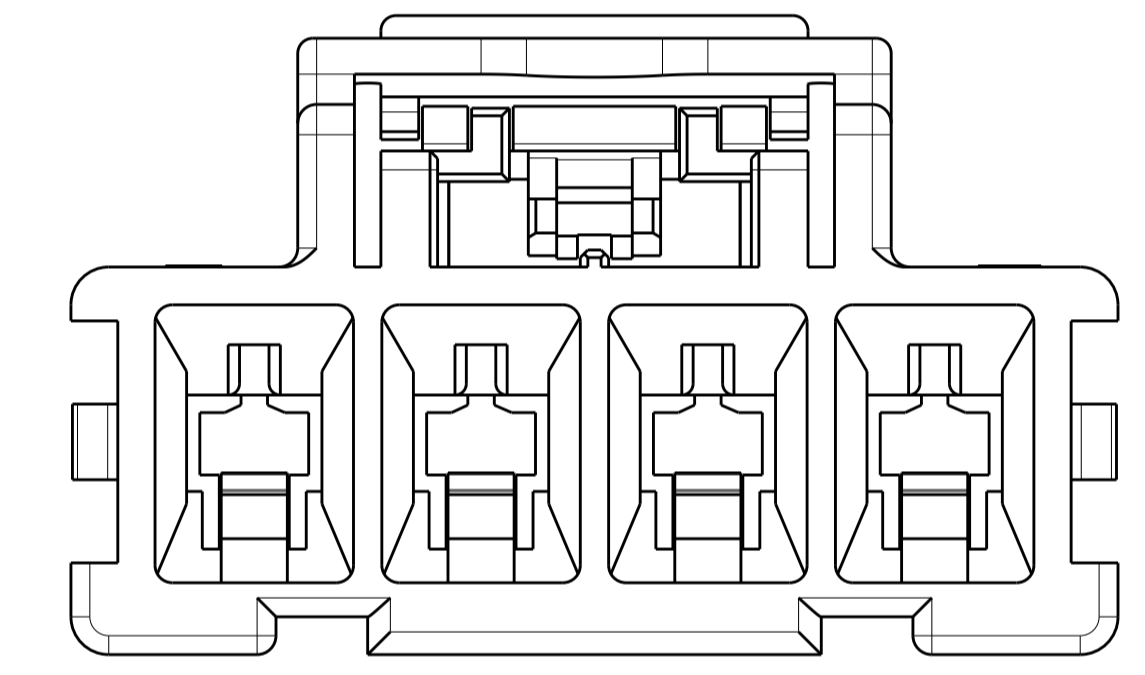
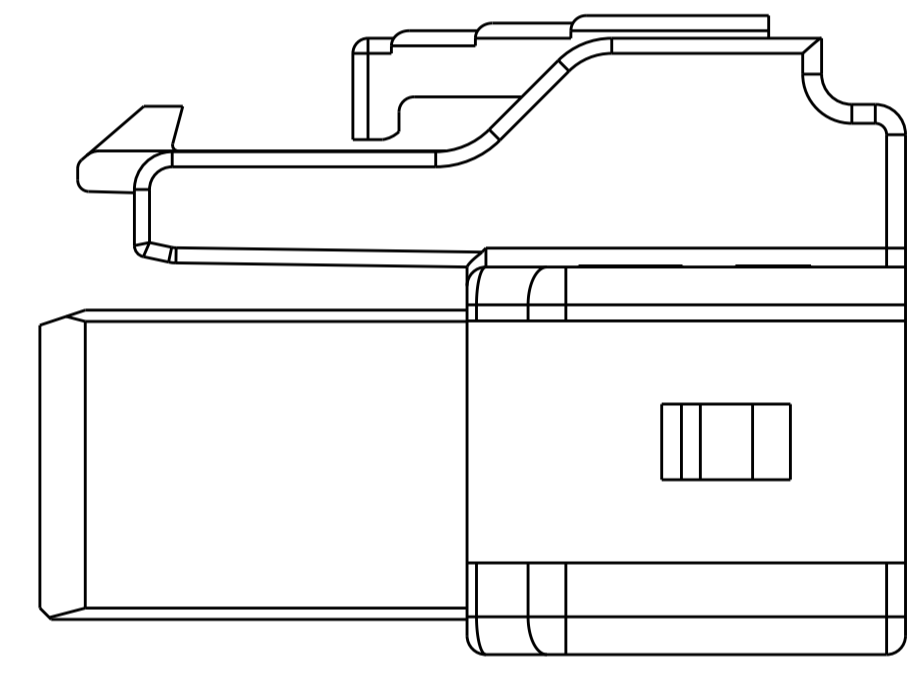
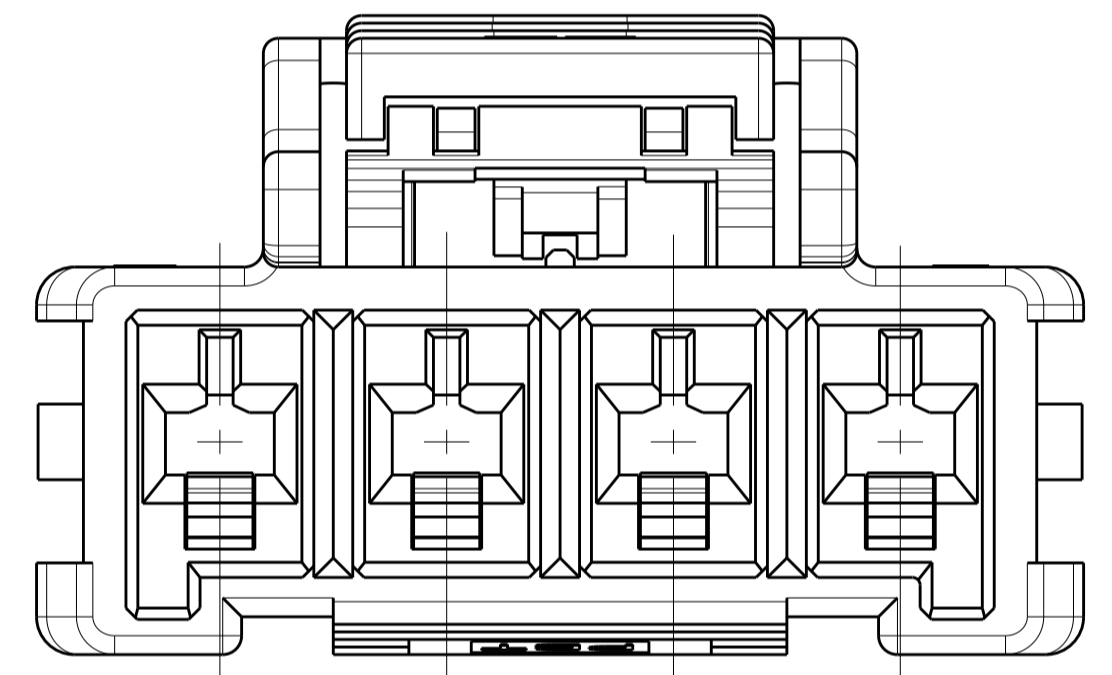


LOC		DIST		REVISIONS			
P	LTN	DESCRIPTION	DATE	DWN	APVD		
E		REVISED PER ECO-18-009994	27JUN2019	RS	GJ		



POS.	DIM. A	DIM. B
1*5	33.7	28.0
1*4	27.7	22.0
1*3	21.7	16.0
1*2	15.7	10.0



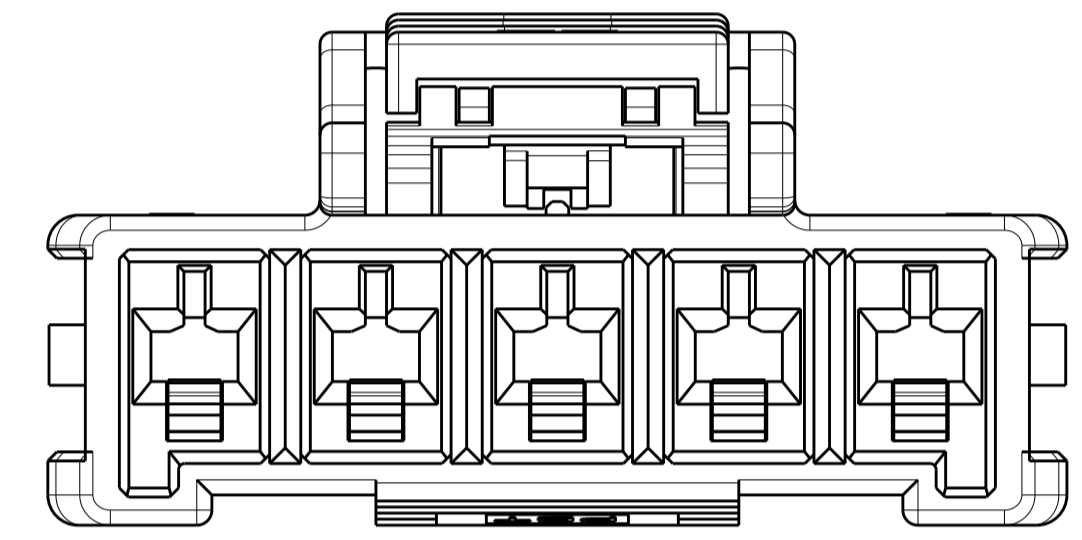
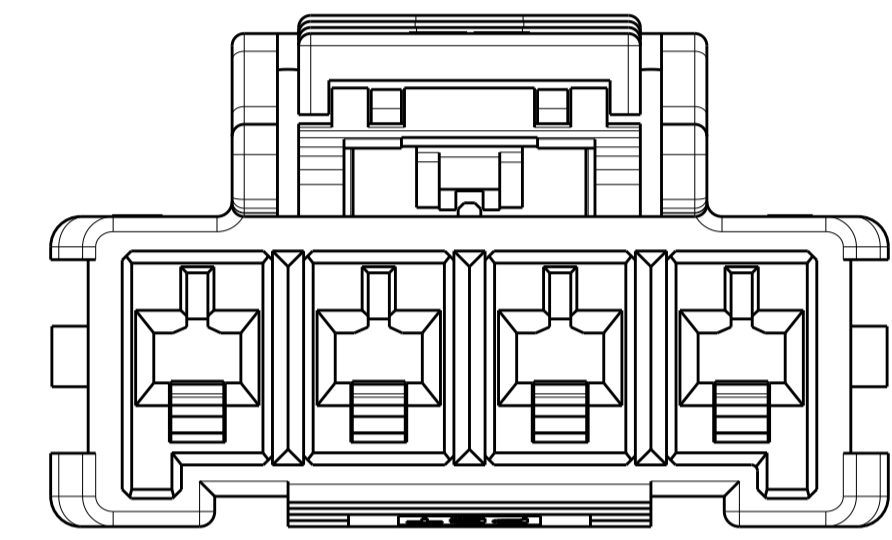
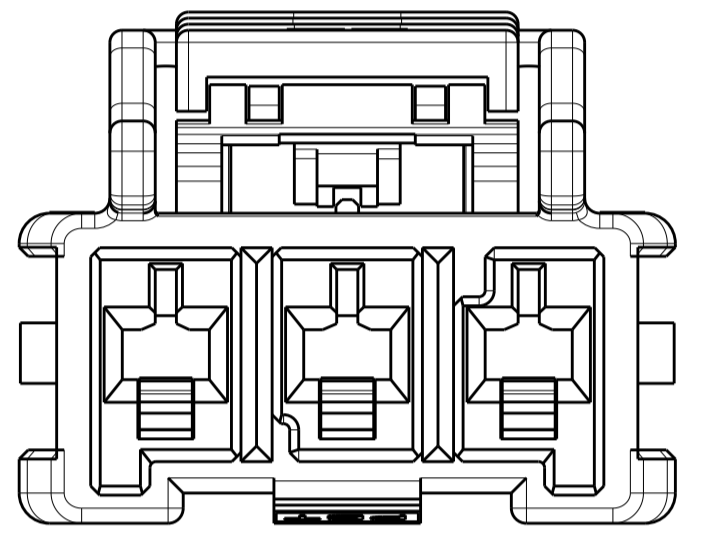
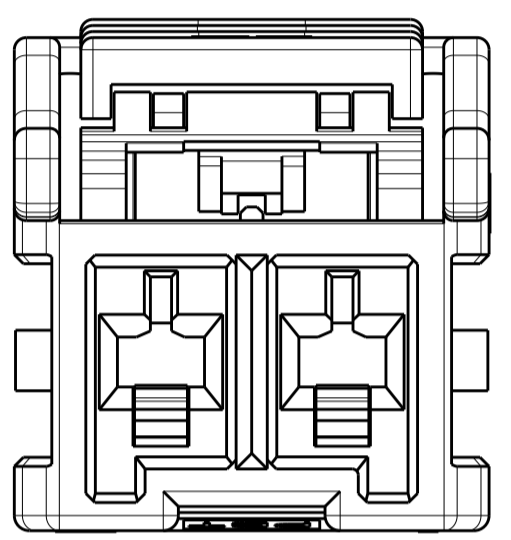
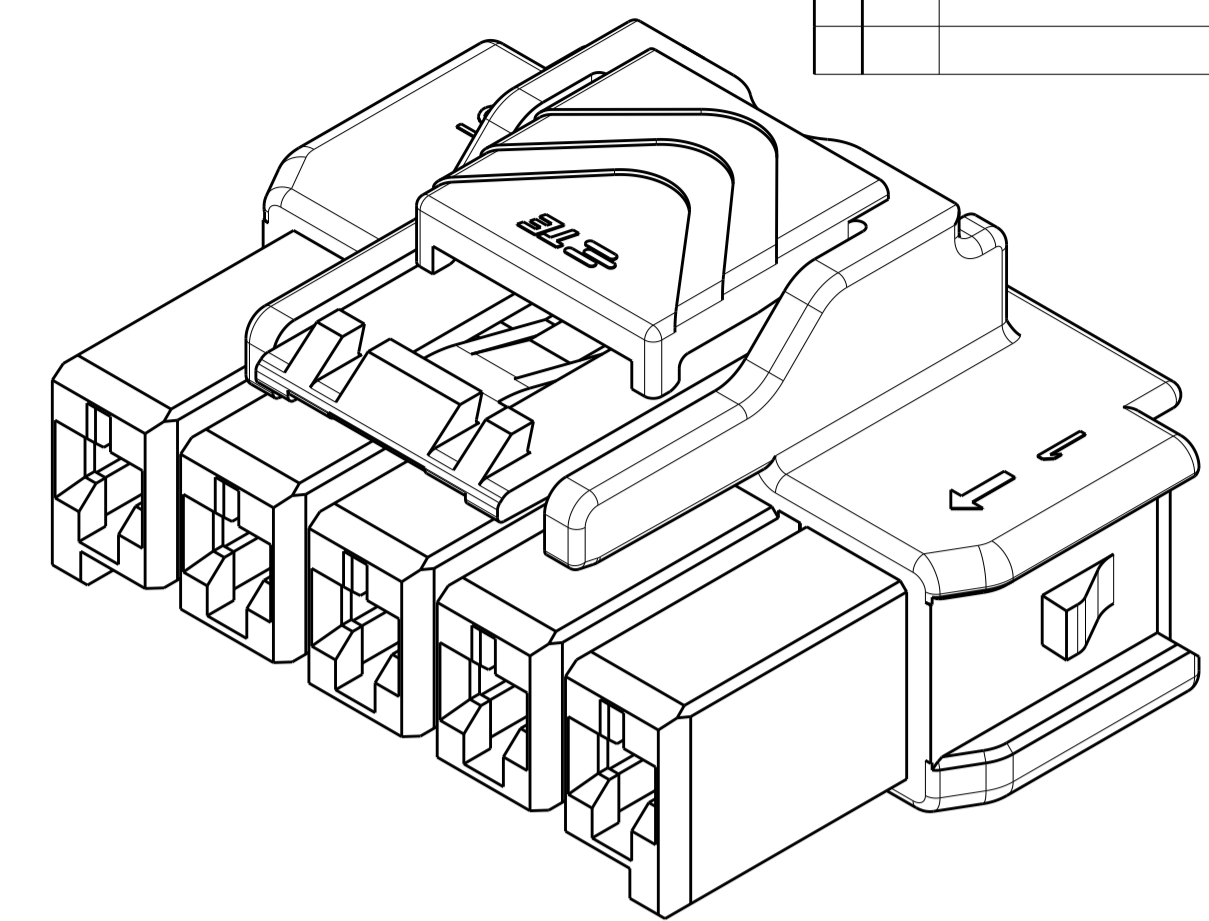
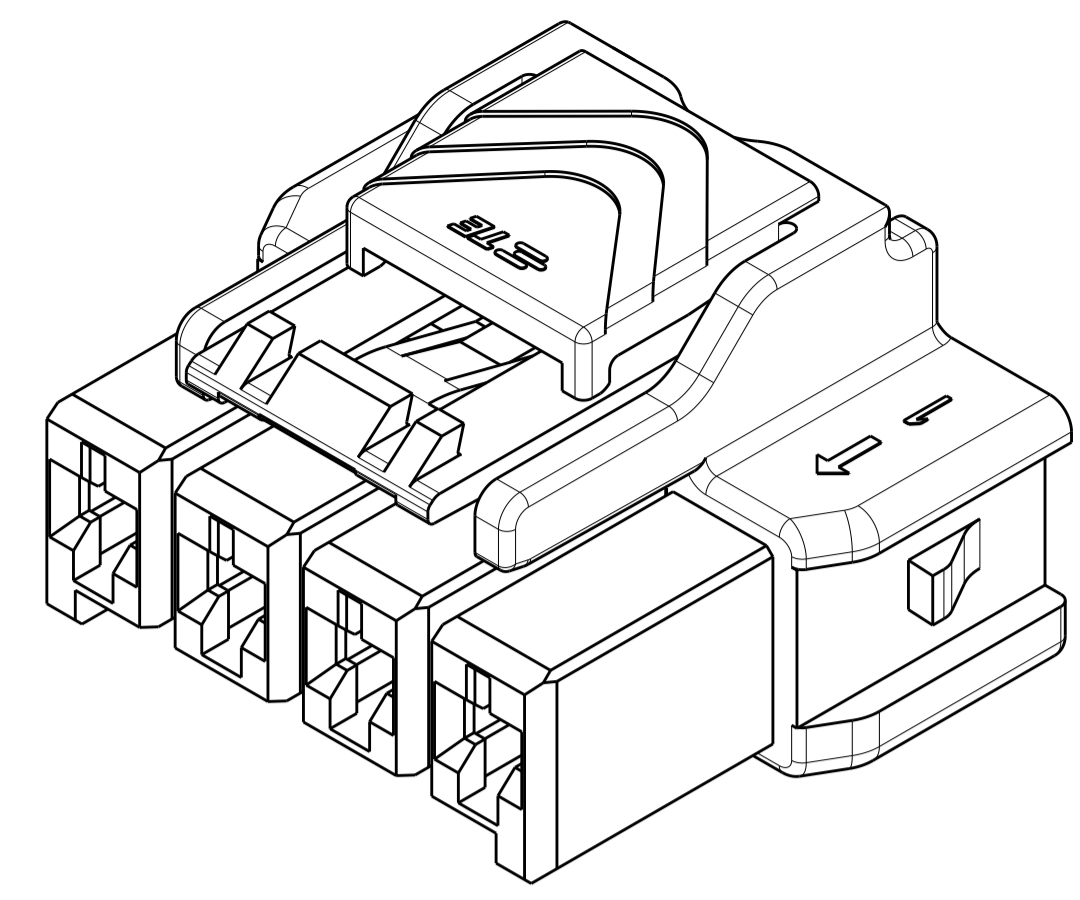
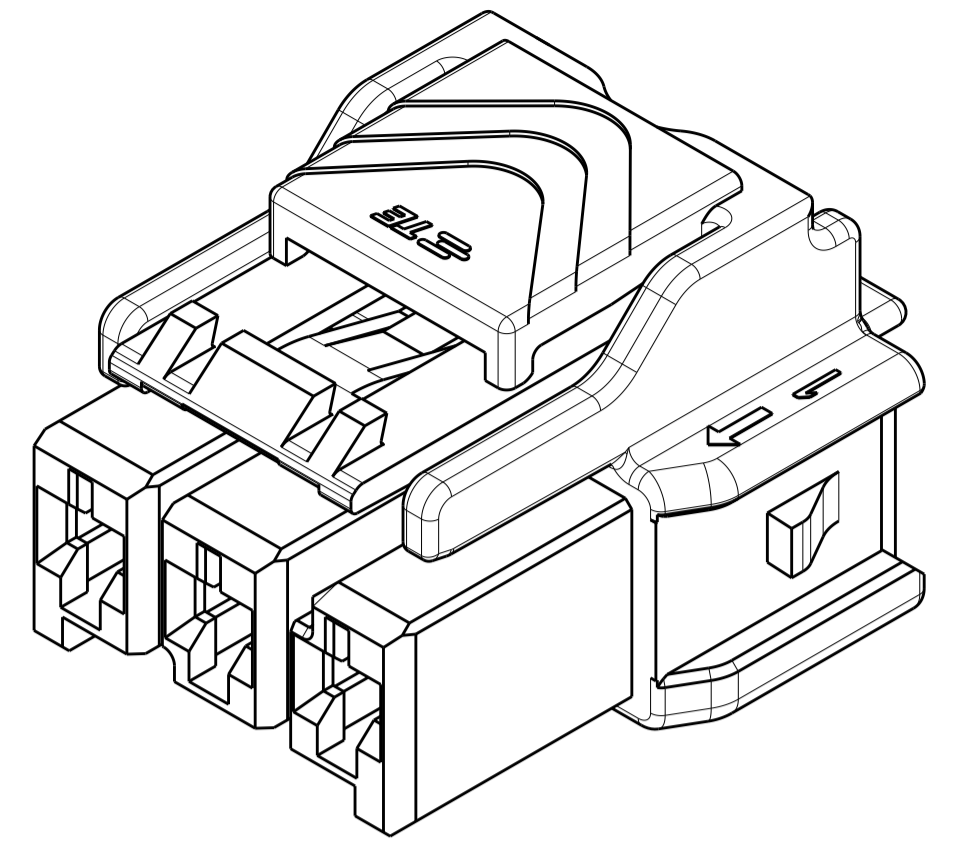
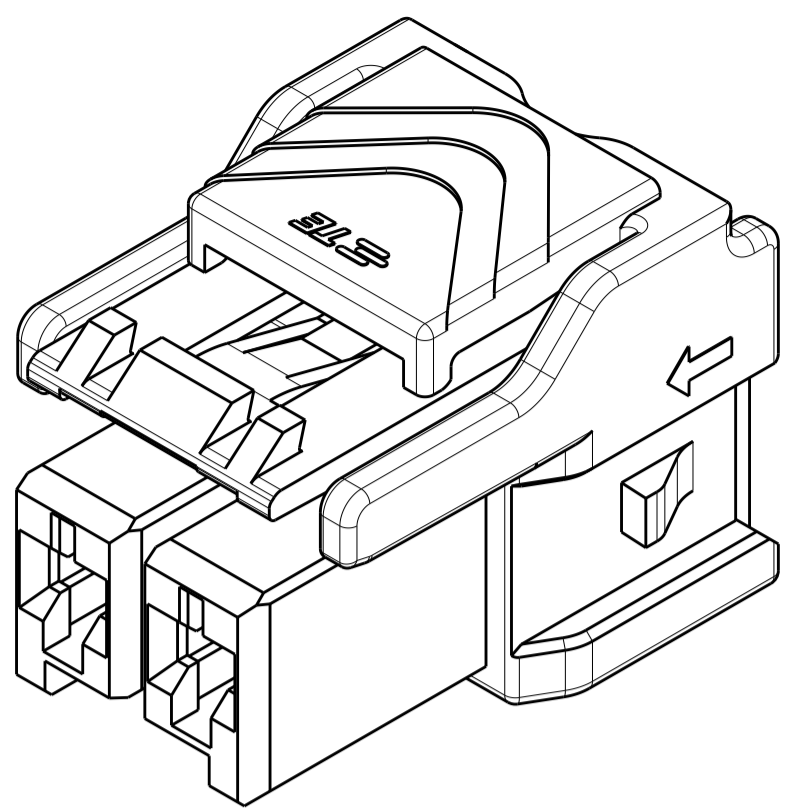
- △ MATERIAL:
LEVEL 1: PBT GLASS FILLED, STANDARD TEMPERATURE 105°C
KEY A: NATURAL; KEY B: PURPLE; KEY C: BLUE; KEY D: YELLOW

LEVEL 2: NYLON (PA 66), HIGH TEMPERATURE 150°C
KEY A: LIGHT GREY; KEY B: RED; KEY C: BLACK; KEY D: NATURAL
- △ MATERIAL MARK:
LEVEL 1: PBT, LEVEL 2: HDT
- 3 APPLICABLE CONTACT P/N
RECEPTACLE CONTACT: 1971237/1971779/81/83/85/87-* , 2238066-*
- 4 MATING CONN, P/N
CAP HSG: *-1971772-* AND HEADERS: *-1969688-*, *-1969694-*, *-1971777-*
- 5 FLAMMABILITY RATED UL94 V-0
- △ GLOW WIRE COMPLIANT IN ACCORDANCE WITH IEC 60335-1
THIS IS BASED ON THE PRODUCT MEETING A GWEPT 850°C TEST
AND A RESIN GWIT >=775°C

7 This product has not completed validation testing.

THIS DRAWING IS A CONTROLLED DOCUMENT.		DWN TOMMY_WU 09JUL2012	STE TE Connectivity
DIMENSIONS:		CHK HAPYE_WU 09JUL2012	
TOLERANCES UNLESS OTHERWISE SPECIFIED:		APVD YUHONG_MAO 09JUL2012	NAME PLUG HOUSING, SINGLE ROW POWER TRIPLE LOCK
mm	0 PLC ± 1 PLC ±0.35 2 PLC ±0.25 3 PLC ± 4 PLC ± ANGLES ±	PRODUCT SPEC 108-106118	SIZE 114-106118
MATERIAL	FINISH	APPLICATION SPEC 114-106118	RESTRICTED TO
		WEIGHT	A100779C=1971773
		Customer Drawing	SCALE 5:1 SHEET 1 OF 2 REV E

LOC		DIST		REVISIONS				
P	LTN	DATE	OWN	APVD	DESCRIPTION	DATE	OWN	APVD
-	-	-	-	-	SEE SHEET 1	-	-	-

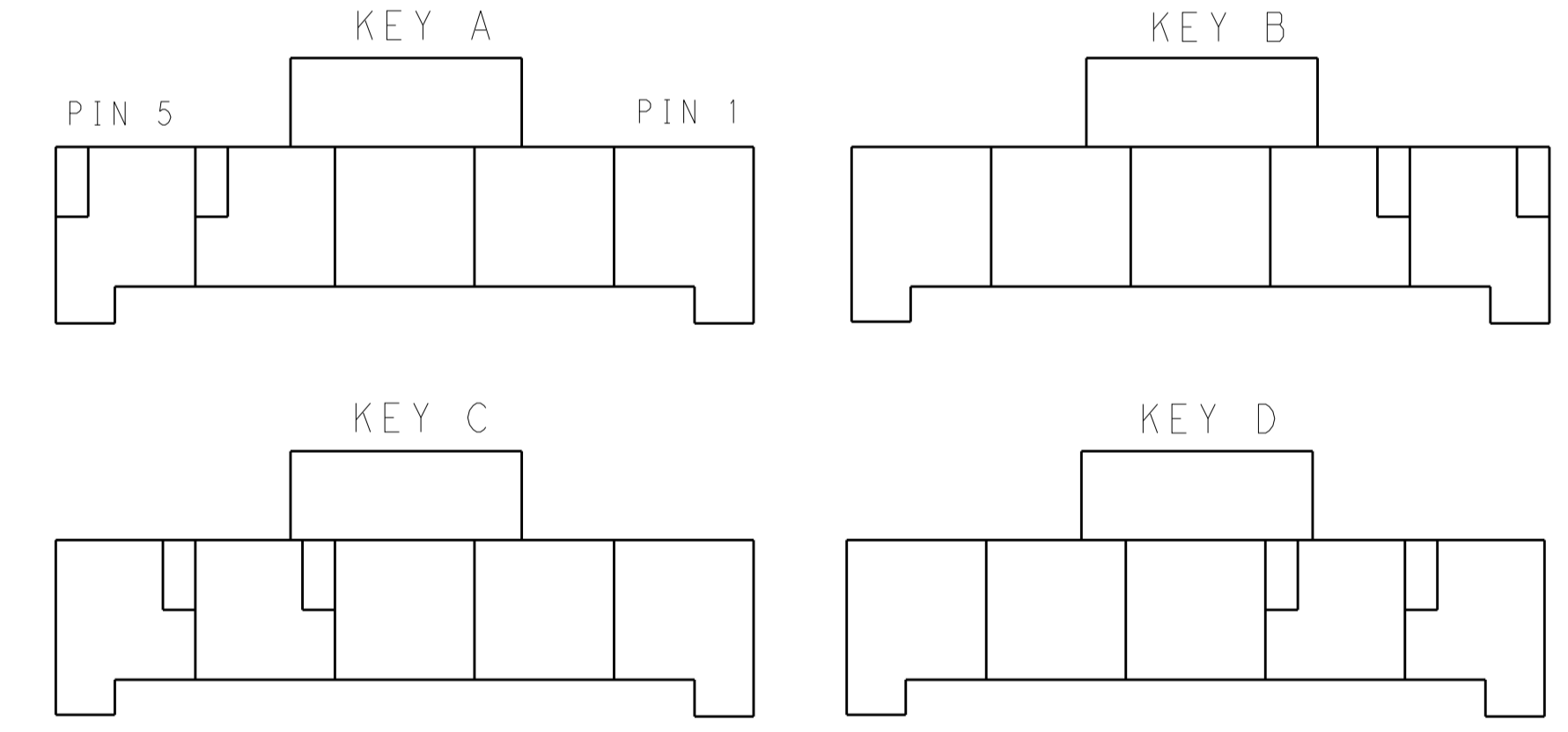
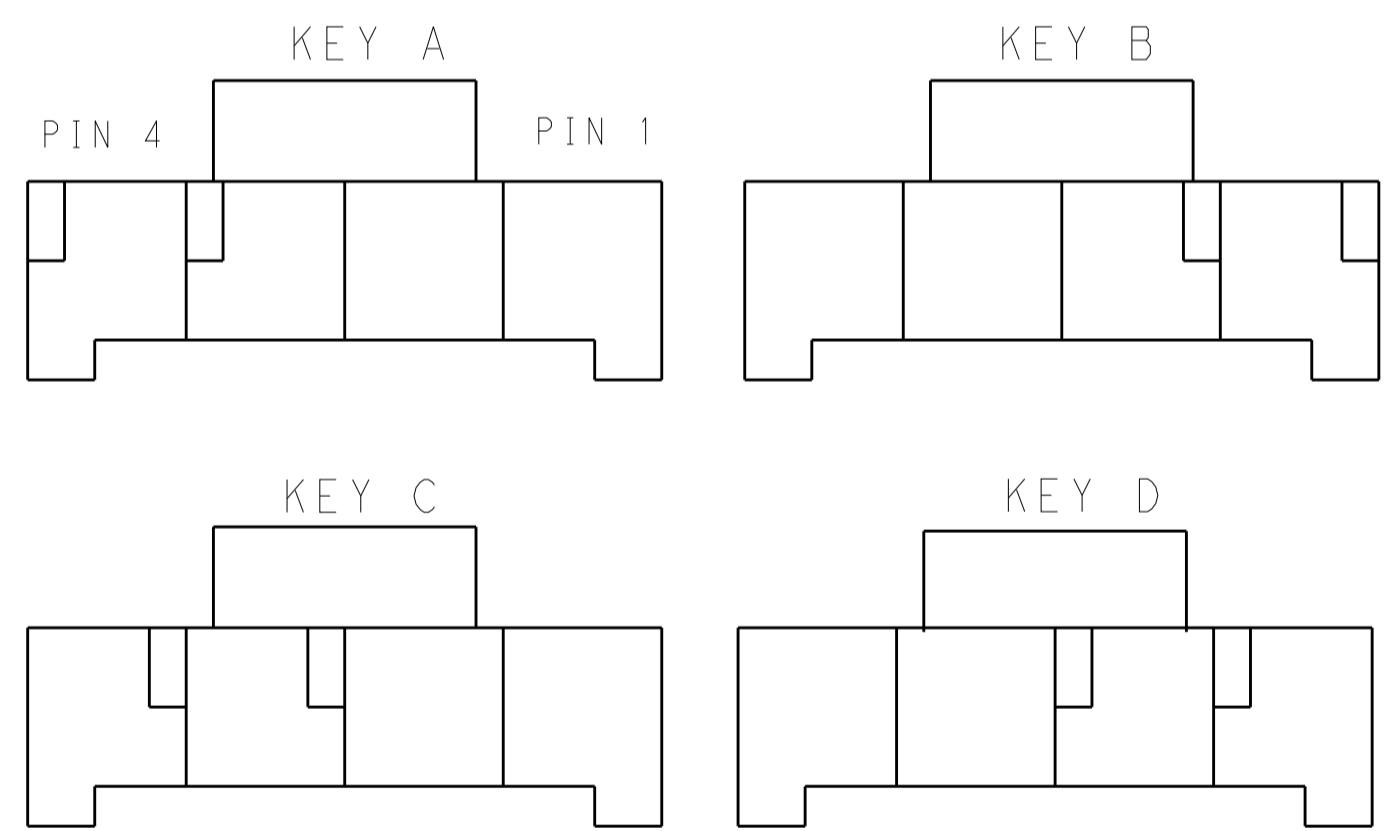
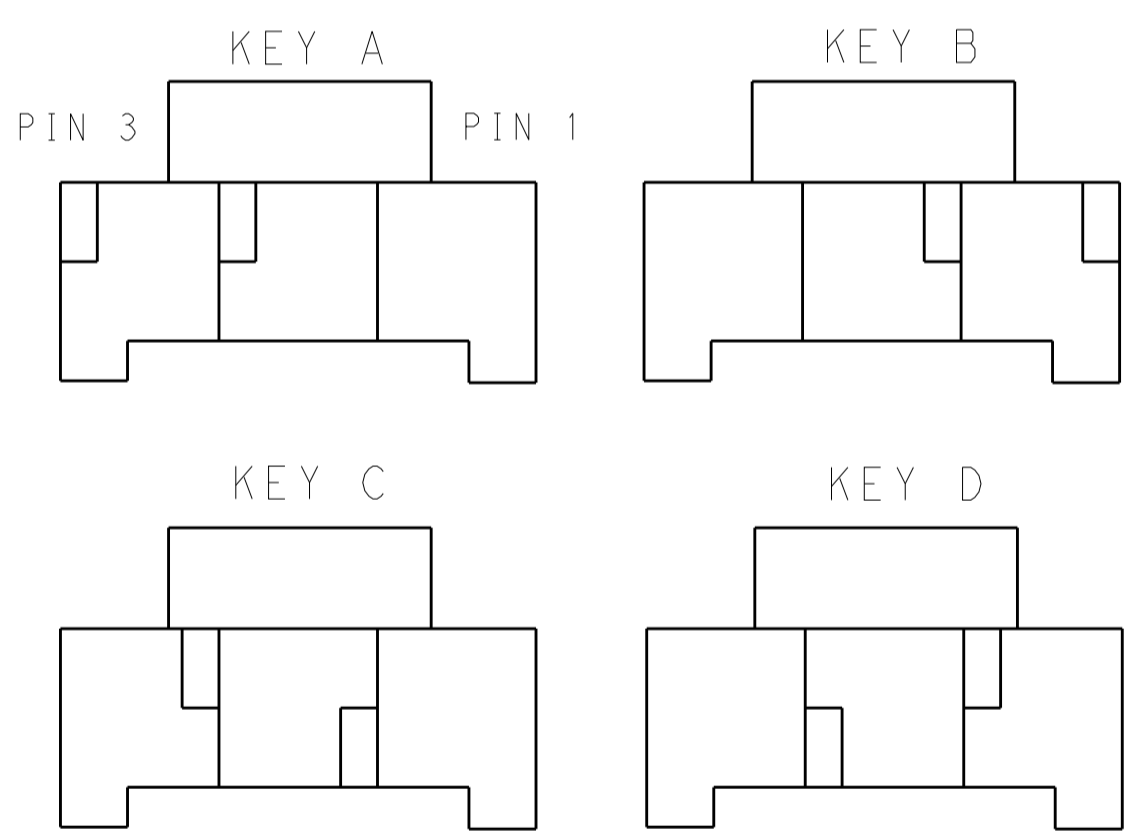
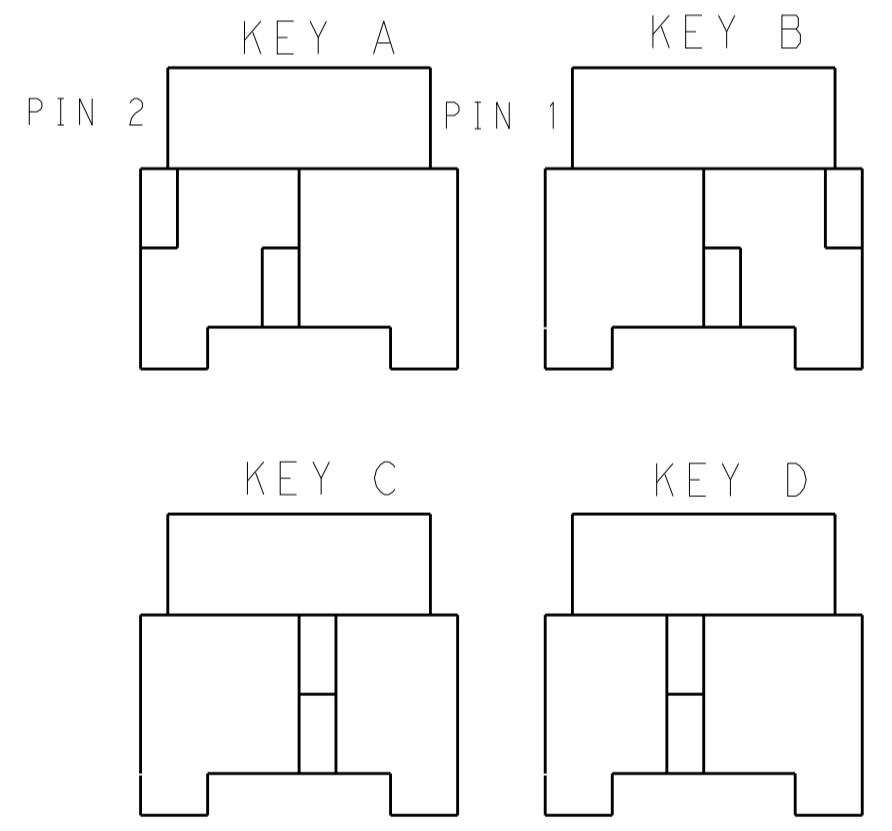


1*2 POSITIONS

1*3 POSITIONS

1*4 POSITIONS

1*5 POSITIONS



KEYING FOR 1*2 POS.

KEYING FOR 1*3 POS.

KEYING FOR 1*4 POS.

KEYING FOR 1*5 POS.

POS.	MATERIAL	KEY	P/N
1*3	LEVEL 1	KEY A	1-1971773-3
		KEY B	2-1971773-3
		KEY C	3-1971773-3
		KEY D	4-1971773-3
	LEVEL 2 △6	KEY A	5-1971773-3
		KEY B	6-1971773-3
		KEY C	7-1971773-3
		KEY D	8-1971773-3
1*2	LEVEL 1	KEY B	2-1971773-2
		KEY C	3-1971773-2
		KEY D	4-1971773-2
		KEY A	1-1971773-2
	LEVEL 2 △6	KEY A	9-1971773-2
		KEY B	6-1971773-2
		KEY C	7-1971773-2
		KEY D	8-1971773-2

POS.	MATERIAL	KEY	P/N
1*5	LEVEL 1	KEY A	1-1971773-7
		KEY B	2-1971773-7
		KEY C	3-1971773-7
		KEY D	4-1971773-7
	LEVEL 2 △6	KEY A	5-1971773-7
		KEY B	6-1971773-7
		KEY C	7-1971773-7
		KEY D	8-1971773-7
1*4	LEVEL 1	KEY A	1-1971773-4
		KEY B	2-1971773-4
		KEY C	3-1971773-4
		KEY D	4-1971773-4
	LEVEL 2 △6	KEY A	5-1971773-4
		KEY B	6-1971773-4
		KEY C	7-1971773-4
		KEY D	8-1971773-4

THIS DRAWING IS A CONTROLLED DOCUMENT.

DIMENSIONS:	TOLERANCES UNLESS OTHERWISE SPECIFIED:	DWG: TOMMY WU 09JUL2012	CHK: HAPYE WU 09JUL2012	TE Connectivity NAME: PLUG HOUSING, SINGLE ROW POWER TRIPLE LOCK PRODUCT SPEC: 108-106118 APPLICATION SPEC: 114-106118 WEIGHT: - SCALE: 5:1 SHEET 2 OF 2 REV E
mm	0 PLC ±.1 1 PLC ±0.35 2 PLC ±0.25 3 PLC ±. 4 PLC ±. ANGLES ±.	APVD: YUHONG MAO 09JUL2012	NAME: YUHONG MAO	
MATERIAL: -		FINISH: -	SIZE: A100779C=1971773	
Customer Drawing		RESTRICTED TO: -		