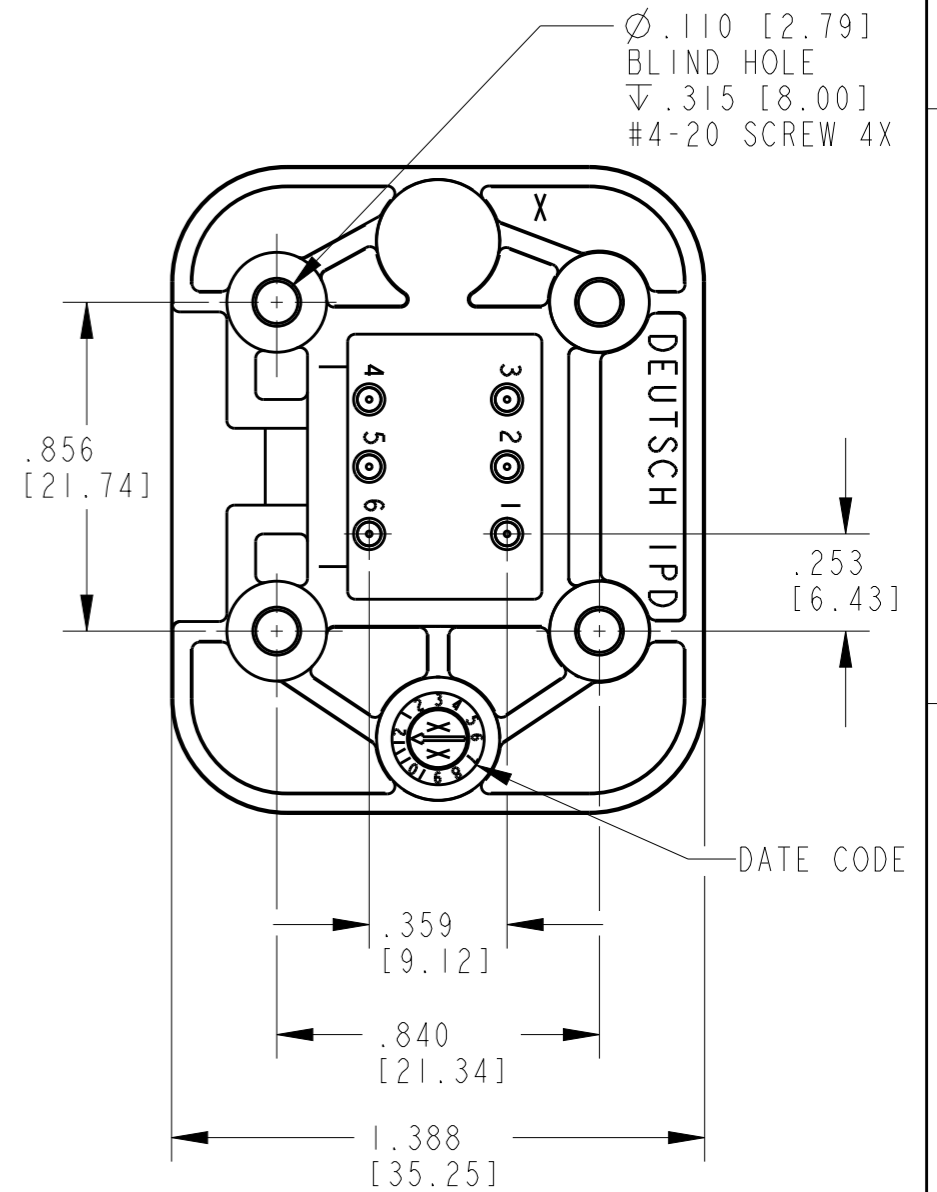
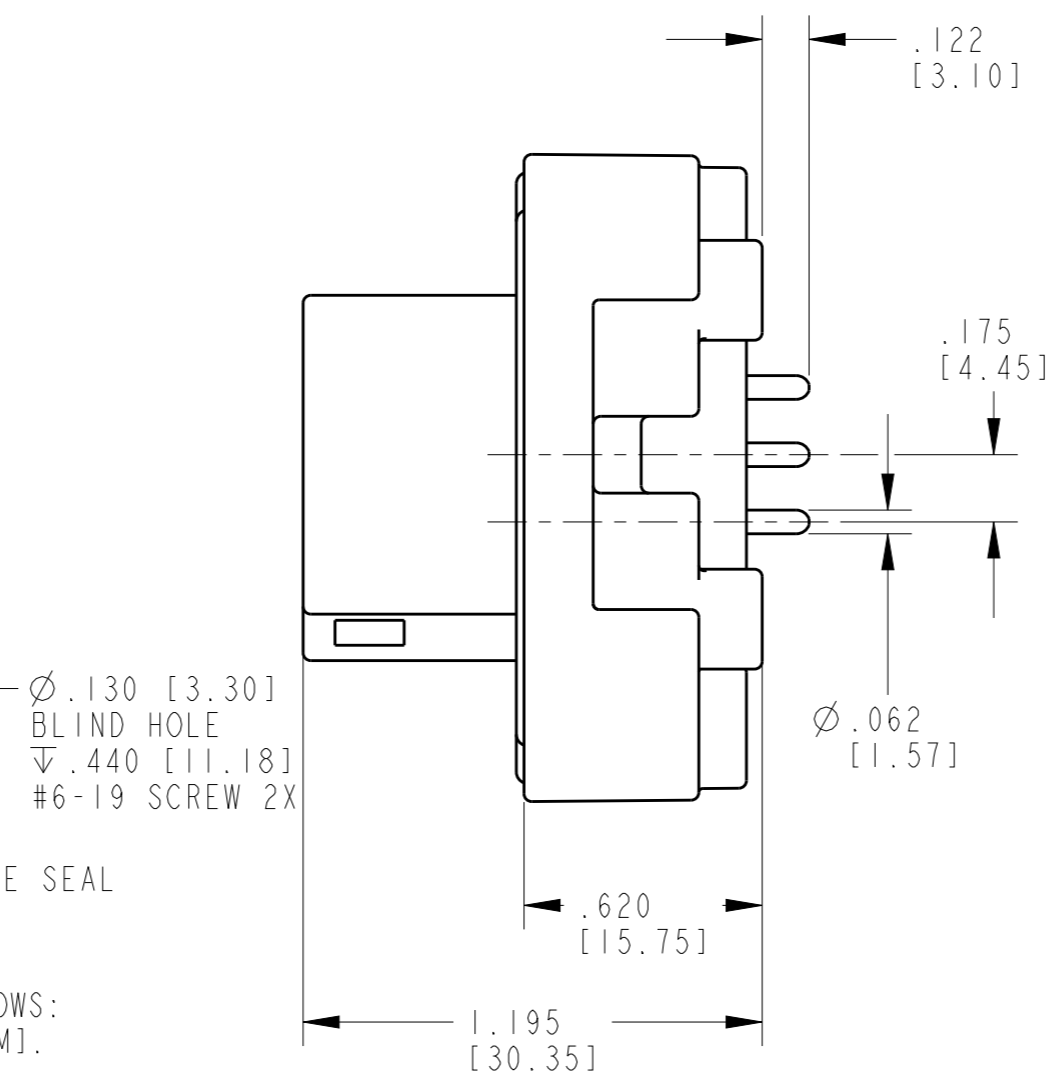
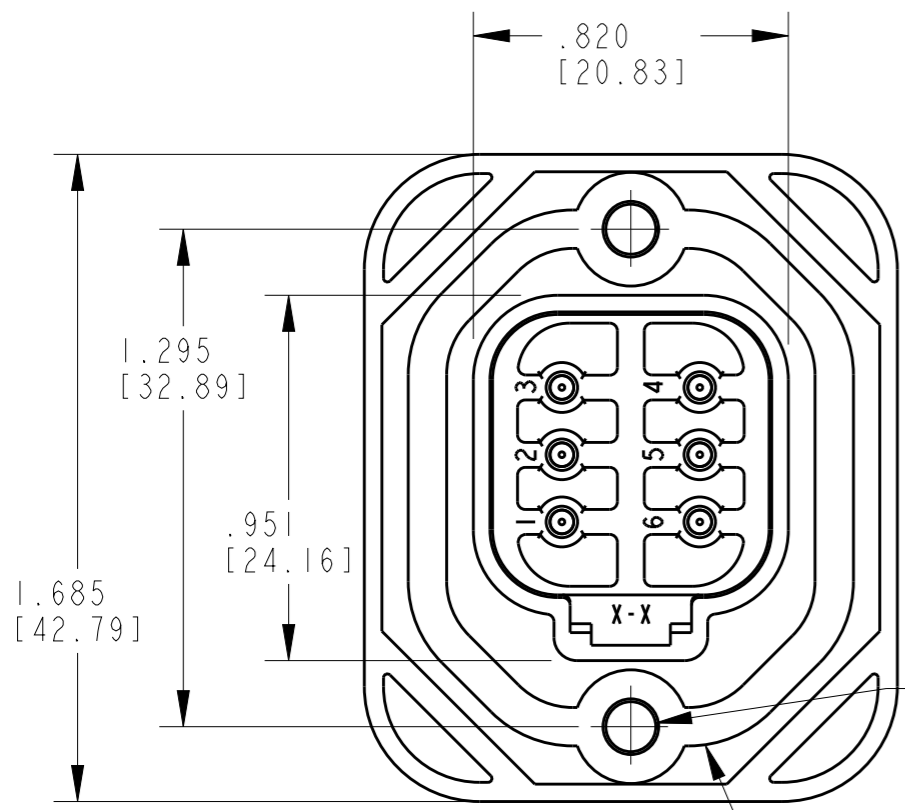


THIS DRAWING IS UNPUBLISHED
 RELEASED FOR PUBLICATION 2015
 © COPYRIGHT 2015 BY TE CONNECTIVITY ALL RIGHTS RESERVED.

LOC	DIST	REVISIONS				
P	LTR	DESCRIPTION	DATE	DWN	APVD	
-	-	A	REVISED AND REDRAWN PER E.O. P17444	09JAN2002	-	RDR
-	-	B	REVISED PER E.O. P18200	16JUN2003	-	RDR
-	-	C	REVISED PER E.O. P19401	20NOV2006	-	RDR
-	-	CI	REVISED PER ECO-15-005844	16APR2015	PV	DM



Ø .130 [3.30]
 BLIND HOLE
 ▽ .440 [11.18]
 #6-19 SCREW 2X

Ø .110 [2.79]
 BLIND HOLE
 ▽ .315 [8.00]
 #4-20 SCREW 4X

FLANGE SEAL

DATE CODE

6. MOUNTING SCREW TORQUE VALUES ARE AS FOLLOWS:
 #6-19 SCREWS: 13±2.0 IN-LB [1.47±.23 N-M].
 #4-20 SCREWS: 8±2.0 IN-LB [.90±.23 N-M].
 VALUES VALID FOR PLASTITE 48 SCREWS ONLY.
5. RECOMMENDED MOUNTING SCREWS (NOT INCLUDED): CAMCAR PLASTITE 48, SINGLE HELIX
4. THIS RECEPTACLE MATES WITH DT06-6S-XXXX PLUG (XXXX = ALL MODIFICATIONS.)
3. CONTACT PLATING- MATING SIDE: NICKEL; PCB SIDE: TIN

TCPN	ALIAS PART NUMBER
DT15-6P	DT15-6P

2.

MATERIAL:
 SHELL; PA GF-30 (GRAY)
 SEAL; SILICONE (ORANGE - RED).
 PIN CONTACT; COPPER ALLOY

1.

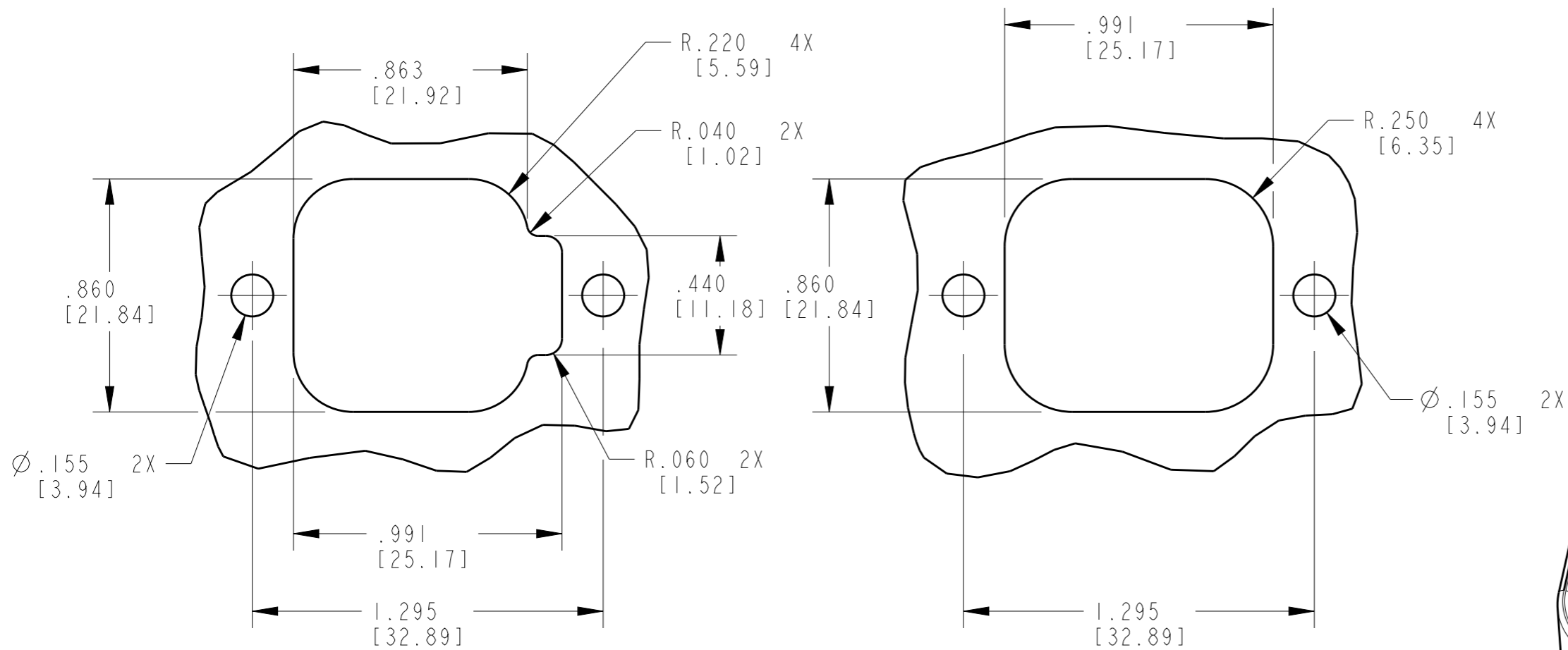
DIMENSION TOLERANCE: ±.025 [.64]
 PANEL CUTOUT ±.010 [.25].
 PIN LOCATION: ±.005 [.13]
 MOUNTING HOLE LOCATION: ±.010 [.13]

THIS DRAWING IS A CONTROLLED DOCUMENT.		DWN P. BURKE 20DEC2001	TE Connectivity														
DIMENSIONS: INCHES [mm]		CHK J. APOSTOL 16NOV2006															
TOLERANCES UNLESS OTHERWISE SPECIFIED:		APVD S. BEARD 17NOV2006	NAME PCB MOUNT RECEPTACLE 6 PINS DT SERIES														
<table border="1"> <tr> <td>0 PLC</td> <td>±-</td> <td rowspan="5"> </td> </tr> <tr> <td>1 PLC</td> <td>±-</td> </tr> <tr> <td>2 PLC</td> <td>±-</td> </tr> <tr> <td>3 PLC</td> <td>±-</td> </tr> <tr> <td>4 PLC</td> <td>±-</td> </tr> <tr> <td>ANGLES</td> <td>±0° 30' 0"</td> </tr> </table>		0 PLC	±-		1 PLC	±-	2 PLC	±-	3 PLC	±-	4 PLC	±-	ANGLES	±0° 30' 0"	PRODUCT SPEC 108-151009	SIZE A3	
0 PLC	±-																
1 PLC	±-																
2 PLC	±-																
3 PLC	±-																
4 PLC	±-																
ANGLES	±0° 30' 0"																
MATERIAL		APPLICATION SPEC -	CAGE CODE 4AFU8	DRAWING NO DT15-6P													
FINISH -		WEIGHT 22 g	RESTRICTED TO -														
<table border="1"> <tr> <td>2</td> </tr> </table>		2	Customer Drawing	SCALE 2:1	SHEET 1 OF 2												
2																	
			REV CI														

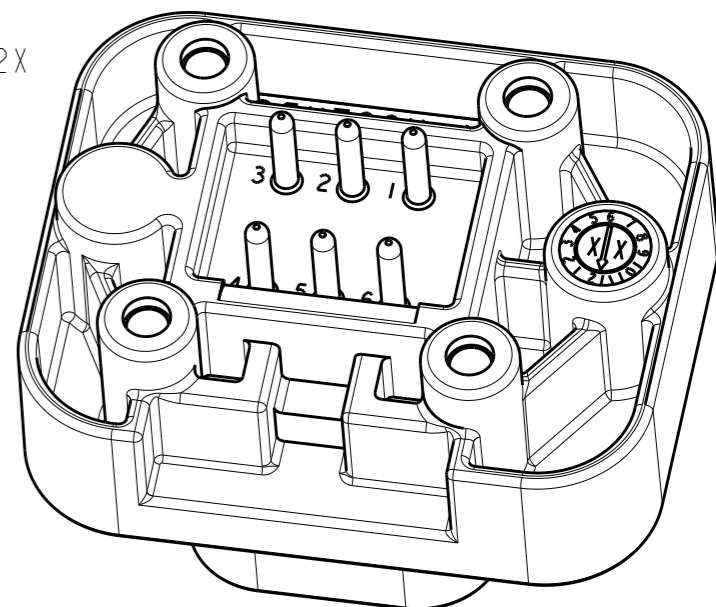
THIS DRAWING IS UNPUBLISHED
 © COPYRIGHT 2015 BY TE CONNECTIVITY ALL RIGHTS RESERVED.

RELEASED FOR PUBLICATION 2015

LOC	DIST	REVISIONS			
P	LTR	DESCRIPTION	DATE	DWN	APVD
-	-	SEE SHEET 1	-	-	-



RECOMMENDED PANEL CUTOUTS



3D VIEW

THIS DRAWING IS A CONTROLLED DOCUMENT.		DWN P. BURKE 20DEC2001	TE Connectivity		
DIMENSIONS: INCHES [mm]		CHK J. APOSTOL 16NOV2006			
TOLERANCES UNLESS OTHERWISE SPECIFIED: 0 PLC ±- 1 PLC ±- 2 PLC ±- 3 PLC ±- 4 PLC ±- ANGLES ±0° 30' 0"		APVD S. BEARD 17NOV2006	NAME PCB MOUNT RECEPTACLE 6 PINS DT SERIES		
MATERIAL		PRODUCT SPEC 108-151009	RESTRICTED TO		
FINISH -		APPLICATION SPEC -	SIZE A3	CAGE CODE 4AFU8	DRAWING NO G=DT15-6P
		WEIGHT 22 g	Customer Drawing		
		SCALE 2:1	SHEET 2 OF 2		REV C1