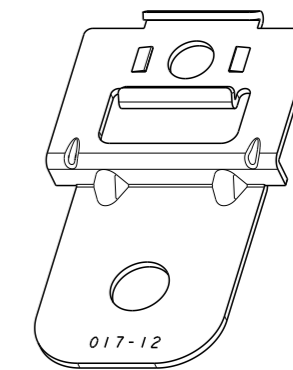
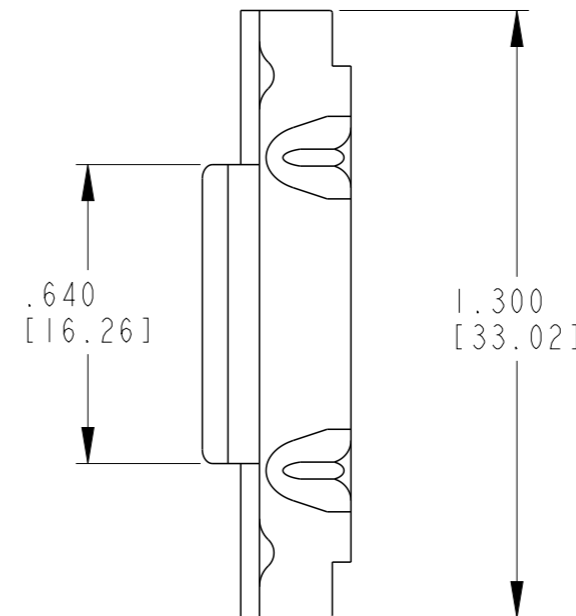
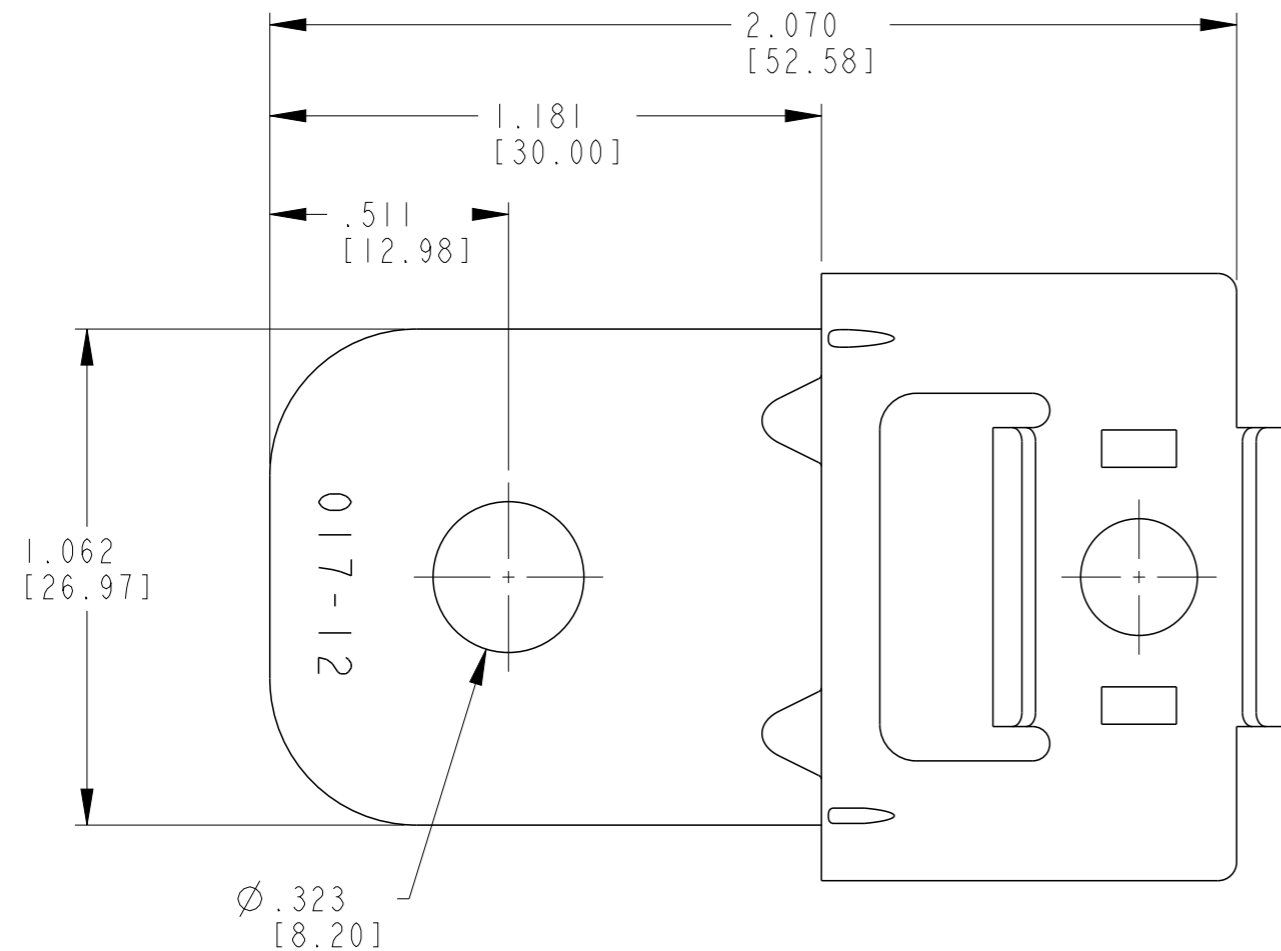
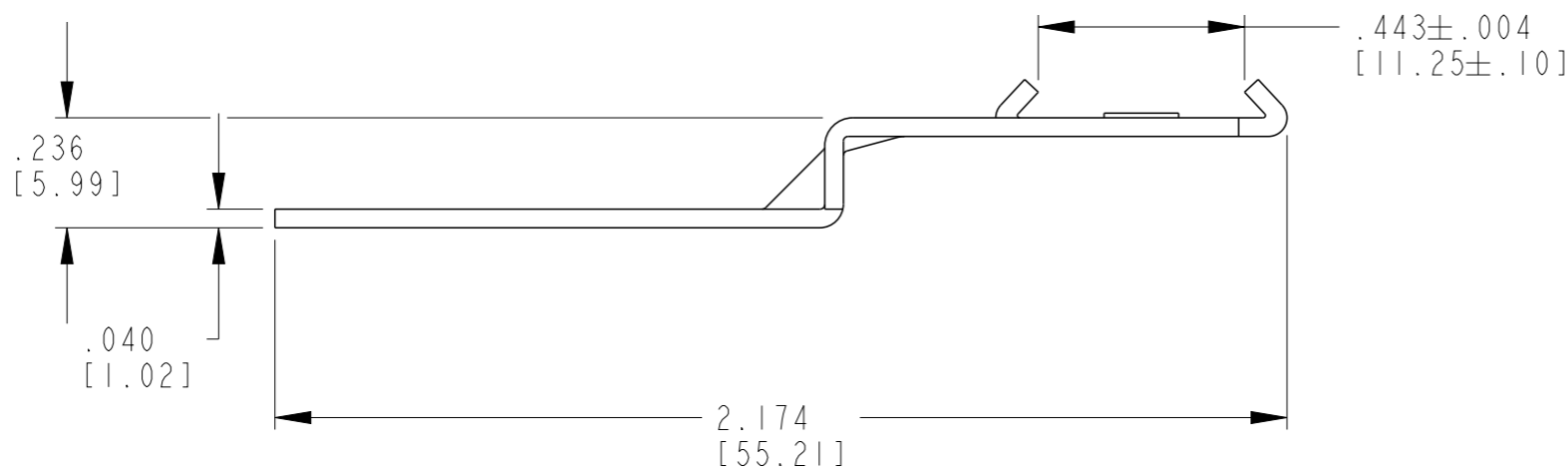


| LOC | DIST | REVISIONS | | | |
|-----|------|-------------------------------|-----------|-----|------|
| P | LTR | DESCRIPTION | DATE | DWN | APVD |
| | A | NEW RELEASE PER ECO-13-009012 | 26APR2013 | JA | RM |
| | A1 | REVISED PER ECO-15-006257 | 23APR2015 | JA | DM |
| | A2 | REVISED PER ECO-16-001711 | 23DEC2015 | DH | DM |
| | A3 | REVISED PER PCN :E-19-003807 | 11MAR2019 | DD | DM |



3D VIEW



- 2. CLIP RETENTION FORCE SHALL BE 20 LBF [89] MINIMUM.
- 1. THIS PART MATES WITH DT, DTM, DTP, DTHD, DTCE RECEPTACLES OR OTHER PARTS WITH THE CLIP RETENTION FEATURE.

NOTES: UNLESS OTHERWISE SPECIFIED

| | | | | | |
|--|--|--|-----------|--|--|
| THIS DRAWING IS A CONTROLLED DOCUMENT. | | DWN | 26APR2013 | TE Connectivity | |
| DIMENSIONS: INCHES [mm] | | CHK | 26APR2013 | | |
| | | APVD | 26APR2013 | | |
| | | TOLERANCES UNLESS OTHERWISE SPECIFIED: | | | |
| MATERIAL | | NAME | | METAL CLIP, 8.2MM HOLE SIDE MOUNTING BRACKET | |
| STEEL | | FINISH | | ZINC | |
| FINISH | | ZINC | | ZINC | |
| APPLICABLE TOLERANCES: | | PRODUCT SPEC | | - | |
| APPLICABLE TOLERANCES: | | APPLICATION SPEC | | - | |
| APPLICABLE TOLERANCES: | | WEIGHT | | 12.6g | |
| APPLICABLE TOLERANCES: | | CUSTOMER DRAWING | | SCALE NONE | |
| APPLICABLE TOLERANCES: | | SIZE | | A3 | |
| APPLICABLE TOLERANCES: | | CAGE CODE | | 4AFU8 | |
| APPLICABLE TOLERANCES: | | DRAWING NO | | C=1027-017-1200 | |
| APPLICABLE TOLERANCES: | | RESTRICTED TO | | - | |
| APPLICABLE TOLERANCES: | | SHEET | | 1 OF 1 | |
| APPLICABLE TOLERANCES: | | REV | | A3 | |