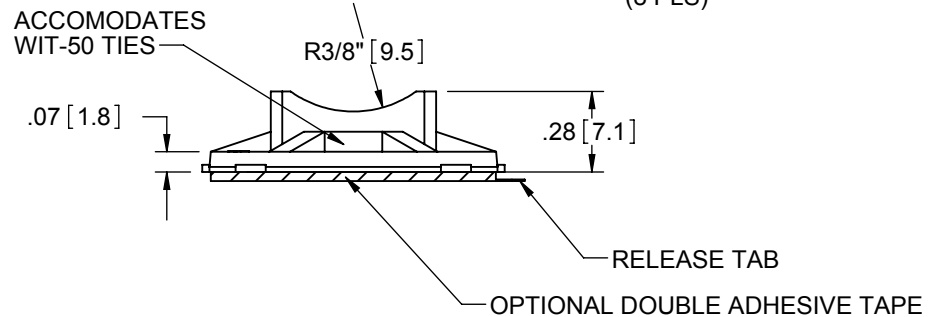
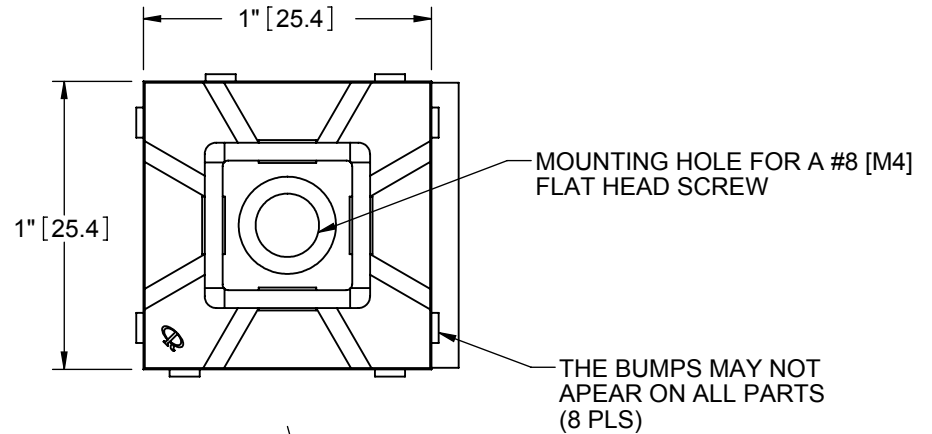
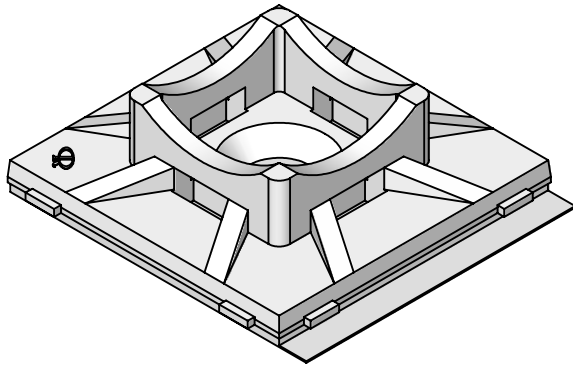


PART NO.	MATERIAL	COLOR	ADHESIVE
FTH-7-01	NYLON 6/6 (RMS-01)	NATURAL	NONE
FTH-7A-RT			1/32" THICK ACRYLIC TAPE (RMS-15), WHITE LINER W/ RELEASE TAB
FTH-7A1-RT			1/32" THICK RUBBER TAPE (RMS-102), BLUE LINER W/ RELEASE TAB
FTH-7-DHB			.04" THICK HIGH BOND ACRYLIC TAPE (RMS-500), RED LINER, NO RELEASE TAB
FTH-7-UVB			NONE
FTH-7A-RT-UVB	UVB STABILIZED NYLON (RMS-46)	BLACK	1/32" THICK ACRYLIC TAPE (RMS-15), WHITE LINER W/ RELEASE TAB
*FTH-7A1-RT-UVB			1/32" THICK RUBBER TAPE (RMS-102), BLUE LINER W/ RELEASE TAB

*AVAILABLE BY SPECIAL ORDER ONLY.



NOTES:

- MATERIAL: UL94 V-0 NYLON 6/6 (RMS-19) AVAILABLE BY SPECIAL ORDER ONLY
 COLOR NATURAL.
 TO ORDER USE P/N: FTH-7-19 (WITHOUT TAPE).
 FTH-7A-RT-19 (WITH TAPE)
- PACKAGING QUANTITIES ARE REFLECTED AS THE SUFFIX "-LETTER"
 EXAMPLE: FTH-7-01-M FOR 1000 PCS PER BAG.
 -C = 100 PCS
 -M = 1000 PCS

TITLE: FLAT TIE HOLDER			UNITS: INCH [mm]					
I	ADDED FTH-7-DHB, ECN # 1429	DZ 04/05/2017	FILE #: FTH-7	DWN: SK	APP: R.T.	FINAL	PART #	PRINT TYPE
H	ADDED NOTE 2. SEE CO 200661	SK 05/12/2011	SHEET: 1 OF 1	SHEET SIZE: A	DT: 10/30/2008			
G	SEE CO 200570 FOR CHANGES	SK 08/04/2010	RE:	-		SEE TABLE	CA	
F	SEE CO 200248 FOR CHANGES	SK 10/30/2008	-		ESSENTRA COMPONENTS			
-	SEE ENGINEERING FOR REV. A-E	-	-		-		-	
REV.	DESCRIPTION	ENGR. DATE	-		-		-	

CREATED USING SOLIDWORKS
 TOLERANCES UNLESS NOTED
 .XX=±.010
 .XXX=±.005
 FRAC.=±1/64
 ANG.=±1°



ESSENTRA
 COMPONENTS



UNITS:
 INCH [mm]

SEE TABLE

PRINT TYPE
 CA