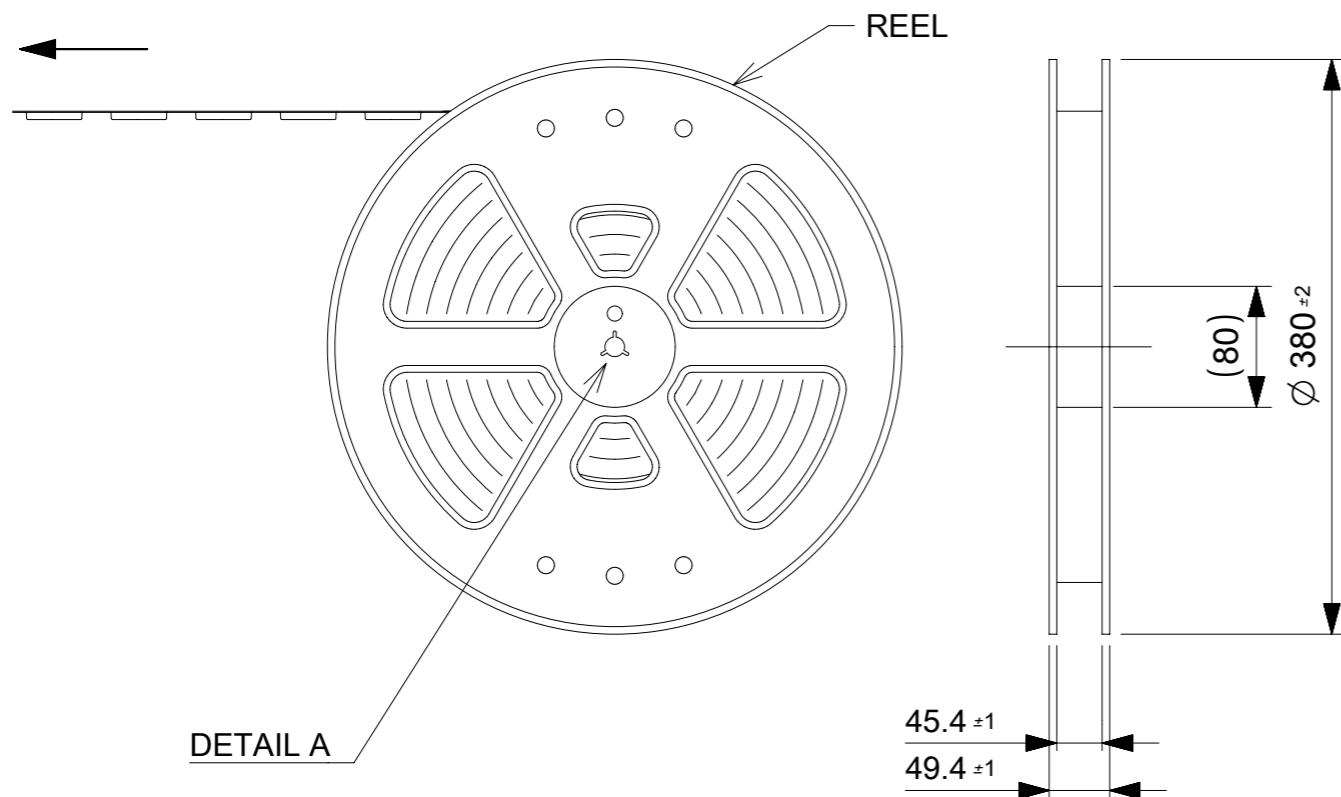
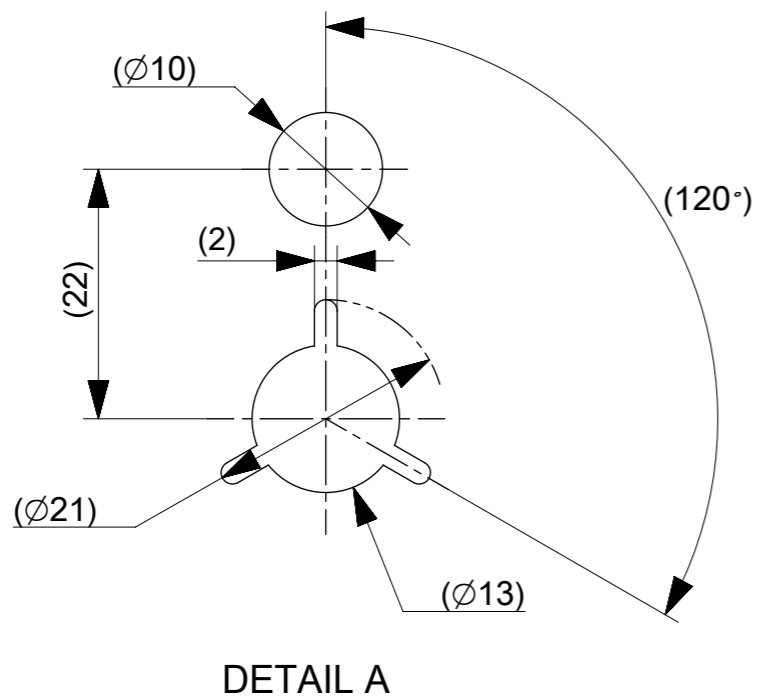


引き出し方向
PULL OUT DIRECTION

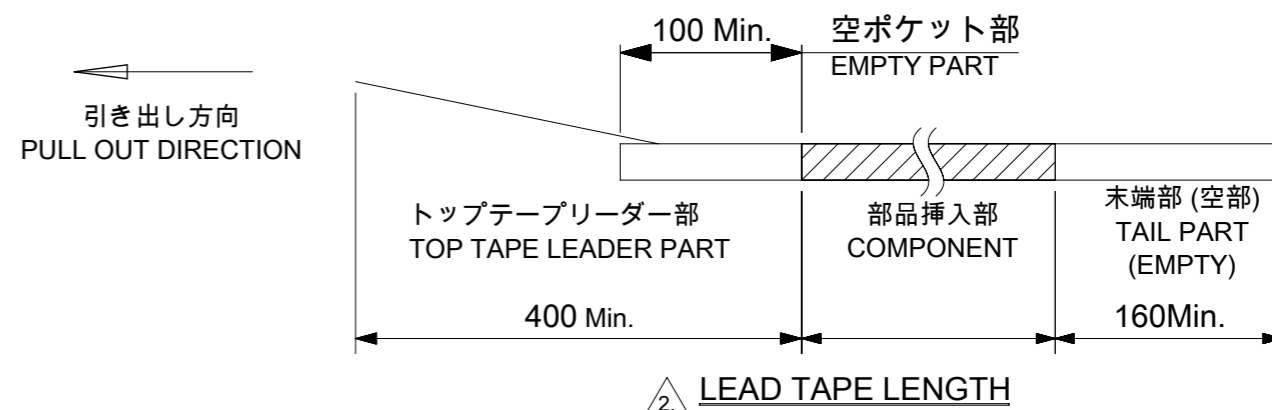


DETAIL A



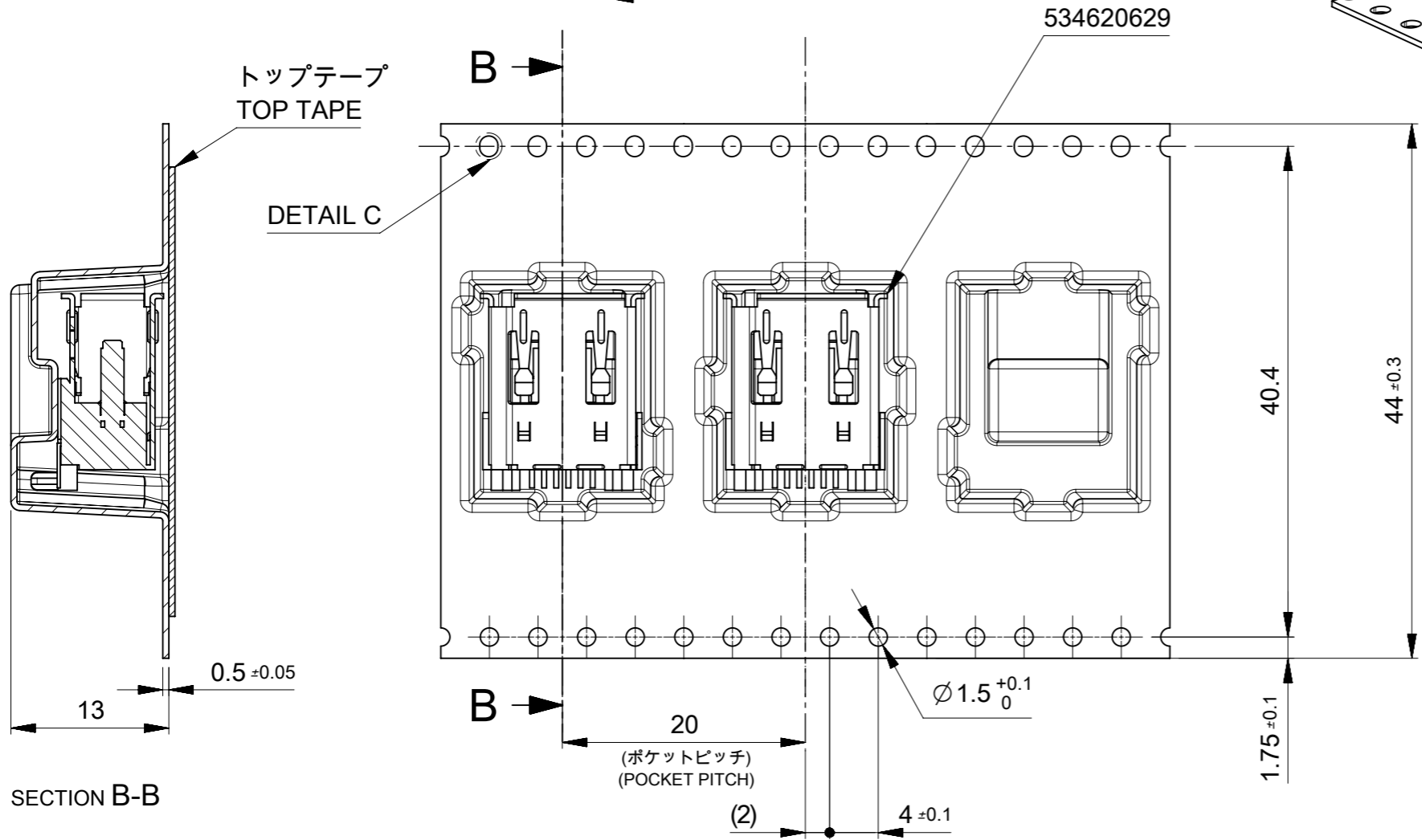
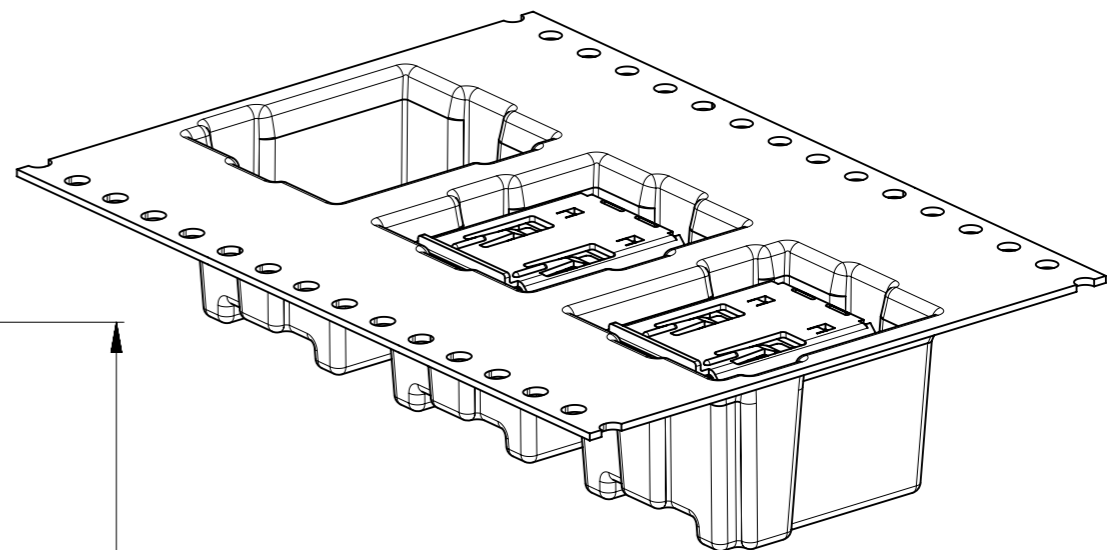
NOTES

- 梱包数量 : 350個 / リール
THE NUMBER OF PACKAGED CONNECTORS: 300 PIECES/REEL
- リードテープ長さ
LEAD TAPE LENGTH.
- 製品詳細寸法については、図面SD-534562-010を参照してください。
FOR DIMENSIONS OF PRODUCT, REFER TO SD-53462-010.
- 材料 MATERIAL
キャリアテープ : ポリスチレン
CARRIER TAPE: POLYSTYRENE
トップテープ : ポリエチレンテレフタレート、ポリエチレン
TOP TAPE: POLYETHYLENE TEREPHTHALATE, POLYETHYLENE
リール : ポリスチレン(リサイクル材を含む)
REEL: POLYSTYRENE(RECYCLE MATERIAL CONTAINED)

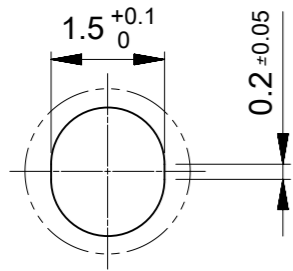


THIS DRAWING CONTAINS INFORMATION THAT IS PROPRIETARY TO MOLEX ELECTRONIC TECHNOLOGIES, LLC AND SHOULD NOT BE USED WITHOUT WRITTEN PERMISSION										
EC NO: 122926 DRWN: RYANAIKANI CHK'D: ASHIMOTSU APPR: RTAKEUCHI	2017/10/25	2017/12/15	2017/12/19	GENERAL TOLERANCES (UNLESS SPECIFIED)		DIMENSION UNITS	SCALE	molex 2.0 I/O FLAT SMT WAFER ASSY EMBSTP PKG		
	ANGULAR TOL ± 3.0 °			mm	1:1					
	4 PLACES	± 0.03	KTAKUCHI01	DATE	2017/10/17	PRODUCT CUSTOMER DRAWING				
	3 PLACES	± 0.03	CHK'D BY	DATE	ASHIMOTSU	2017/10/23	SERIES	MATERIAL NUMBER	CUSTOMER	
	2 PLACES	± 0.05	APPR BY	DATE	RTAKEUCHI	2017/12/19	53462	SEE CHART		
1 PLACE	± 0.1	DRAWING SIZE	THIRD ANGLE PROJECTION	DRAFT WHERE APPLICABLE MUST REMAIN WITHIN DIMENSIONS		A3				
0 PLACES	± 0.2					DOCUMENT NUMBER		DOC TYPE	DOC PART	SHEET NUMBER
A		REV				534620001		PSD	000	1 OF 2

引き出し方向
(PULL OUT DIRECTION)



累積ピッチ : 40±0.2
ACCUMULATIVE PITCH: 40±0.2



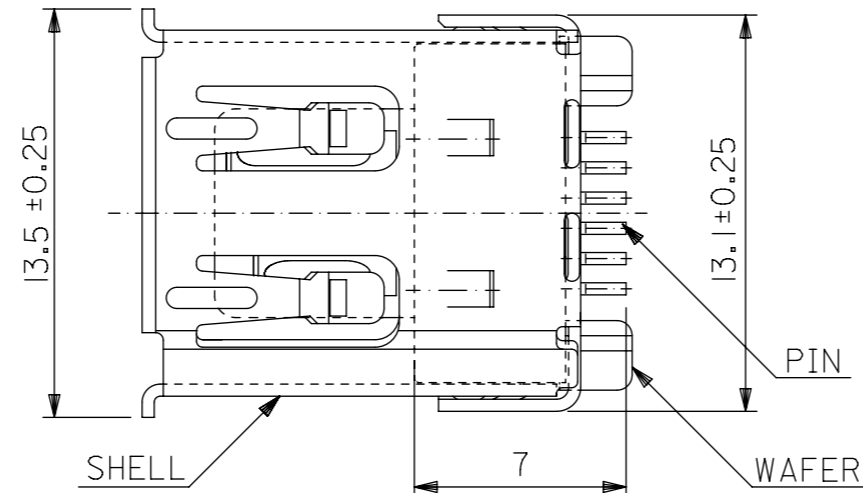
DETAIL C
SCALE 10:1

534620629	534620001
CONNECTOR MATERIAL NO.	EMBOSSED PACKAGE オーダー番号 ORDER NO.

THIS DRAWING CONTAINS INFORMATION THAT IS PROPRIETARY TO MOLEX ELECTRONIC TECHNOLOGIES, LLC AND SHOULD NOT BE USED WITHOUT WRITTEN PERMISSION

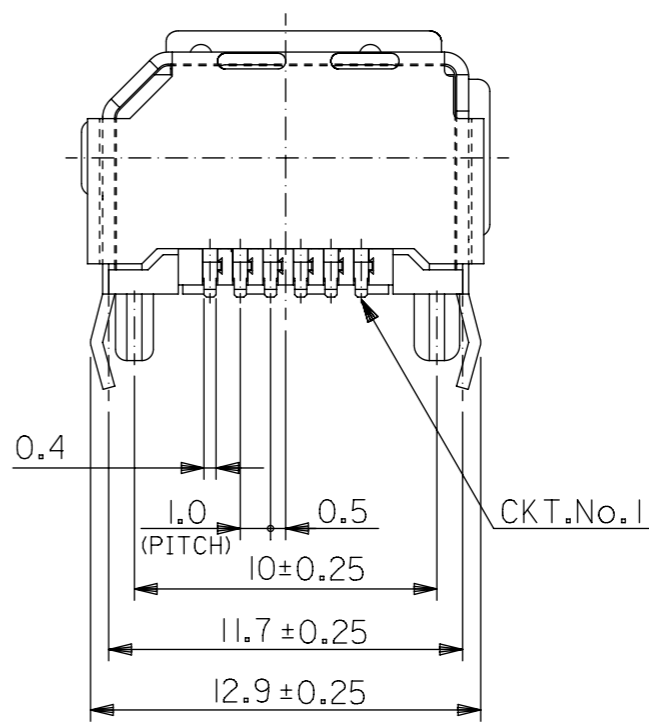
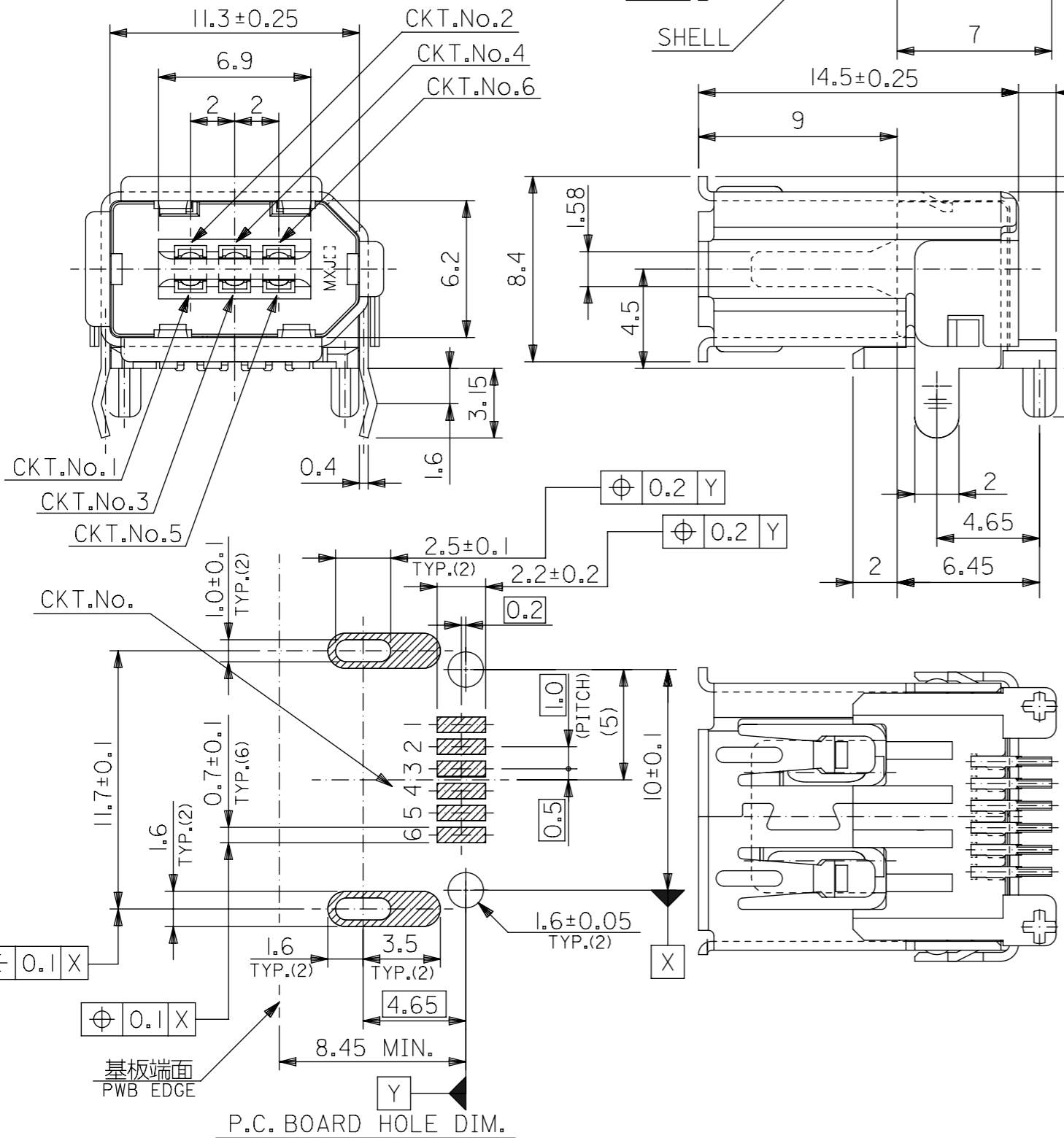
EC NO: 122926 DRWN: RYANAIKANI CHK'D: ASHIMOTSU APPR: RTAKEUCHI	2017/10/25	GENERAL TOLERANCES (UNLESS SPECIFIED)	DIMENSION UNITS	SCALE
	2017/12/15	ANGULAR TOL ± 3.0 °	mm	2:1
	2017/12/19	4 PLACES ± 0.03	DRWN BY	DATE
		3 PLACES ± 0.03	KTAKEUCHI01	2017/10/17
		2 PLACES ± 0.05	CHK'D BY	DATE
		1 PLACE ± 0.1	ASHIMOTSU	2017/10/23
	0 PLACES ± 0.2	APPR BY	DATE	
		RTAKEUCHI	2017/12/19	
		DRAFT WHERE APPLICABLE MUST REMAIN WITHIN DIMENSIONS	DRAWING SIZE	THIRD ANGLE PROJECTION
			A3	

molex		
2.0 I/O FLAT SMT WAFER ASSY EMBSTP PKG		
PRODUCT CUSTOMER DRAWING		
SERIES	MATERIAL NUMBER	CUSTOMER
53462	SEE CHART	
DOCUMENT NUMBER	DOC TYPE	DOC PART SHEET NUMBER
534620001	PSD	000 2 OF 2



部品名 PARTS NAME	材質 MATERIAL	注記 NOTES
ウエハー WAFER	ガラス入り46ナイロン NYLON46 G.F.	G.F.30%, UL94V-0, 色:黒 G.F.30%, UL94V-0, COLOR : BLACK
ピン PIN	黄銅 t0.25 BRASS t0.25	接点部 : 金メッキ0.76µmMIN. CONTACT AREA : GOLD 0.76 MICROMETER MIN. 半田付け部: 錫メッキ1.0µmMIN. SOLDER TAIL AREA : TIN 1.0 MICROMETER MIN. 下地メッキ: ニッケルメッキ2.0µmMIN. UNDER-PLATING : NICKEL 2.0 MICROMETER MIN.
シエル SHELL	りん青銅 t0.4 PHOSPHOR BRONZE t0.4	錫メッキ: 1.0µmMIN. TIN : 1.0 MICROMETER MIN. 下地メッキ: ニッケルメッキ1.27µmMIN. UNDER-PLATING : NICKEL 1.27 MICROMETER MIN.

本製品は53462-**-**21の鉛フリー品である。
THIS PRODUCT IS LEAD FREE OF 53462-**-**21.



53462-0629	6
MATERIAL NO.	CIRCUIT
MODEL NO.	53462-**-**29

THIS DRAWING CONTAINS INFORMATION THAT IS PROPRIETARY TO MOLEX ELECTRONIC TECHNOLOGIES, LLC AND SHOULD NOT BE USED WITHOUT WRITTEN PERMISSION			CURRENT REV DESC:		
DIMENSION UNITS mm		SCALE 4:1	GENERAL TOLERANCES (UNLESS SPECIFIED)		
GENERAL TOLERANCES (UNLESS SPECIFIED)		EC NO: 615419		2.0 I/O CONN. SOCKET	
ANGULAR TOL	± 1.0°	DRWN: KTAKEUCHI01	2019/04/11	RIGHT-ANGLE FLAT KINK -LEAD FREE-	
4 PLACES	± 0.2	CHK'D: TRSUZUKI	2019/04/11	PRODUCT CUSTOMER DRAWING	
3 PLACES	± 0.2	APPR: RTAKEUCHI	2019/04/11	DOCUMENT NUMBER	
2 PLACES	± 0.2	INITIAL REVISION:			DOC TYPE DOC PART REVISION
1 PLACE	± 0.2	DRWN: YWADA	2004/05/21	SD-53462-010	PSD 001 A
0 PLACES	± 0.2	APPR: MSASAO	2004/05/24	SEE TABLE	GENERAL MARKET
DRAFT WHERE APPLICABLE MUST REMAIN WITHIN DIMENSIONS		THIRD ANGLE PROJECTION	DRAWING	SERIES	MATERIAL NUMBER
THIRD ANGLE PROJECTION		DRAWING	SERIES	MATERIAL NUMBER	CUSTOMER
THIRD ANGLE PROJECTION		DRAWING	SERIES	MATERIAL NUMBER	CUSTOMER
THIRD ANGLE PROJECTION		DRAWING	SERIES	MATERIAL NUMBER	CUSTOMER