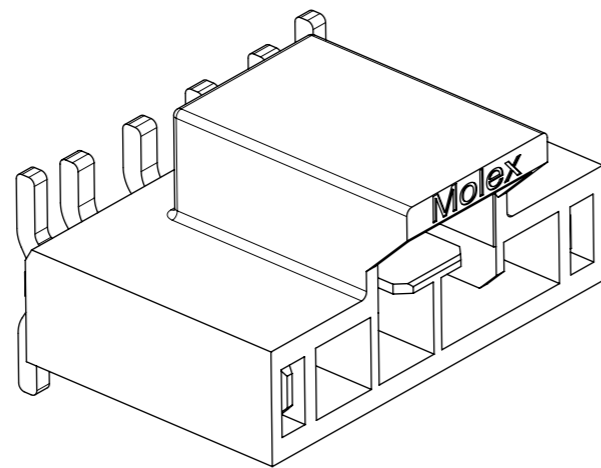
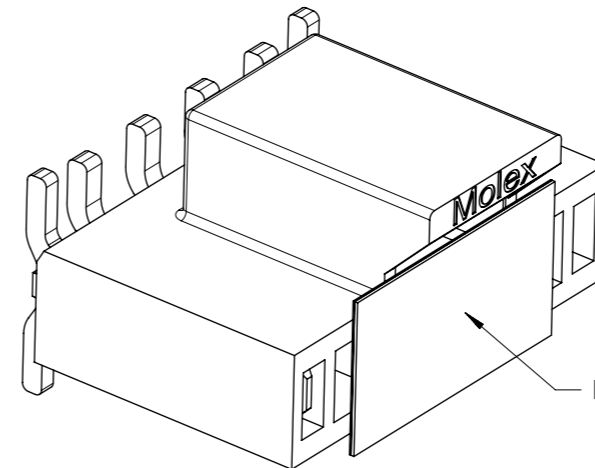


RECOMMENDED PCB LAYOUT(CONNECTOR SIDE VIEW)  
THICKNESS=1.60mm MIN. TOLERANCE:±0.05

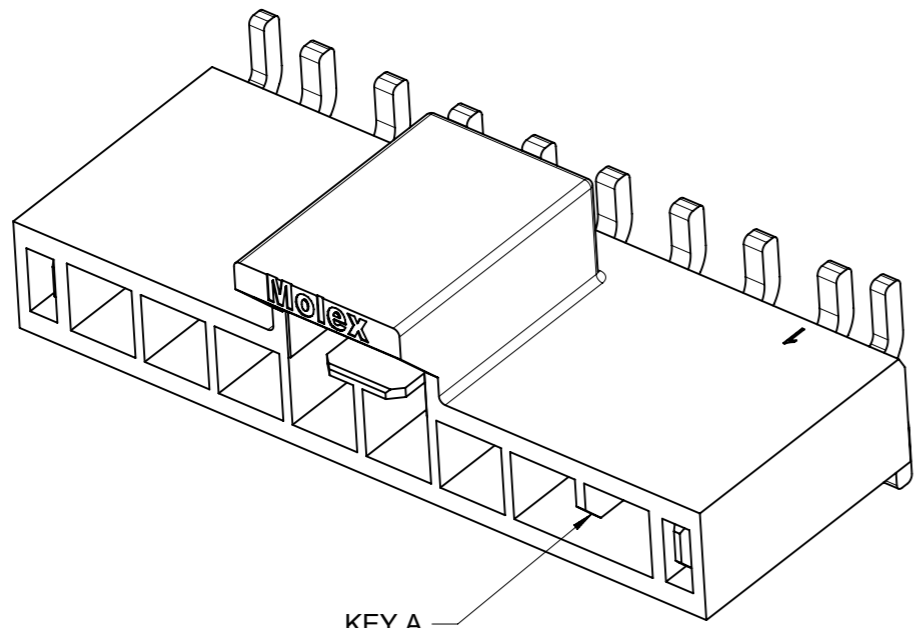


WITHOUT MYLAR

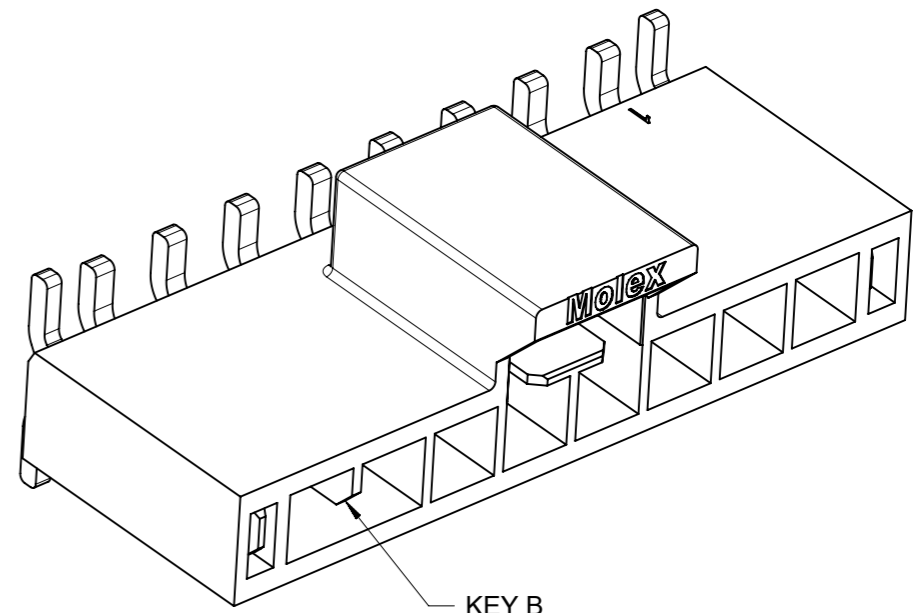


WITH MYLAR  
DELIVER TO CUSTOMER

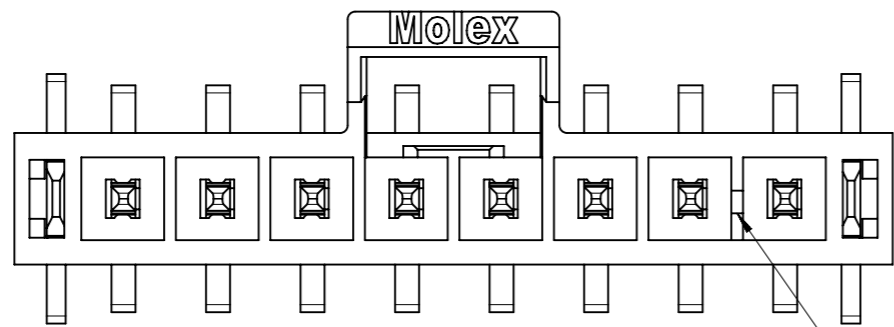
THIS DRAWING CONTAINS INFORMATION THAT IS PROPRIETARY TO MOLEX ELECTRONIC TECHNOLOGIES, LLC AND SHOULD NOT BE USED WITHOUT WRITTEN PERMISSION												
<b>QUALITY SYMBOLS</b> ▽ = 0 ▽ = 0 ▽ = 0 ▼ = 0 ▽ = 0 ⊗ = 0 ■ = 0 ▽ = 0	RE-MASTER IN ECTR EC NO: 614394 DRWN: GLLI CHK'D: AYIN REV APPR: AYIN	2019/03/26 2019/04/17 2019/04/17		<b>GENERAL TOLERANCES (UNLESS SPECIFIED)</b> ANGULAR TOL ± 3.0 ° 4 PLACES ± 3 PLACES ± 2 PLACES ± 0.2 1 PLACE ± 0.3 0 PLACES ±		DIMENSION UNITS <b>mm</b>	SCALE <b>5:1</b>					
		DRWN BY <b>WJHUO</b>		DATE <b>2014/10/30</b>		CHK'D BY <b>AYIN</b>						DATE <b>2015/03/12</b>
		APPR BY <b>AYIN</b>		DATE <b>2015/03/12</b>		DRAWING SIZE <b>A3</b>	THIRD ANGLE PROJECTION 	PRODUCT CUSTOMER DRAWING		SERIES <b>105431</b>	MATERIAL NUMBER <b>SEE TABLE</b>	CUSTOMER <b>GENERAL MARKET</b>
		DRAFT WHERE APPLICABLE MUST REMAIN WITHIN DIMENSIONS				DOCUMENT NUMBER <b>SD-105431-001</b>		DOC TYPE <b>PSD</b>	DOC PART <b>000</b>	SHEET NUMBER <b>1 OF 4</b>		



KEY A

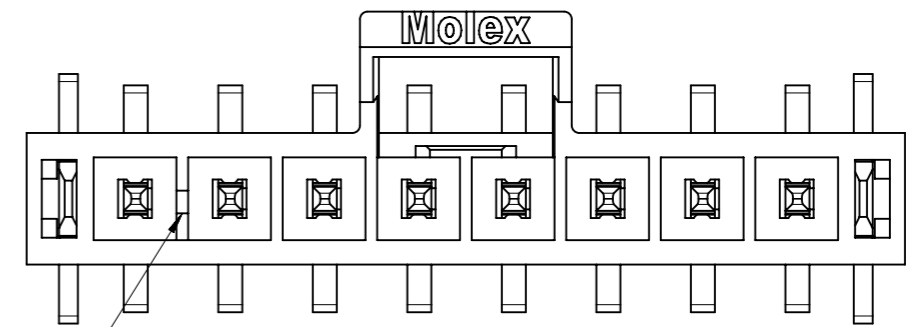


KEY B



KEY A

BLACK



KEY B

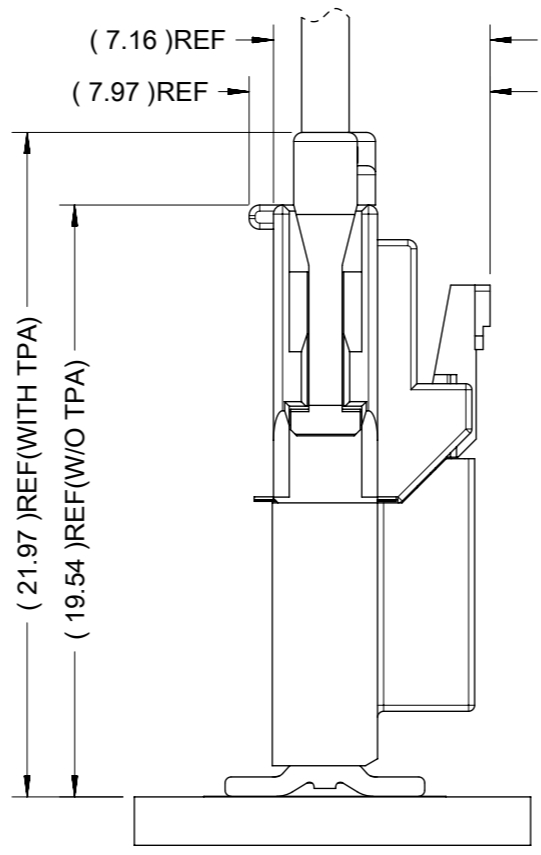
NATURAL

COLOR OPTION

<b>SYMBOLS</b> DIMENSION UNITS: mm SCALE: 1:1 GENERAL TOLERANCES (UNLESS SPECIFIED): ANGULAR TOL ± 3.0° 4 PLACES ± 3 PLACES ± 2 PLACES ± 0.2 1 PLACE ± 0.3 0 PLACES ± DRAFT WHERE APPLICABLE MUST REMAIN WITHIN DIMENSIONS THIRD ANGLE PROJECTION DRAWING: A3-SIZE SERIES: 105431	THIS DRAWING CONTAINS INFORMATION THAT IS PROPRIETARY TO MOLEX ELECTRONIC TECHNOLOGIES, LLC AND SHOULD NOT BE USED WITHOUT WRITTEN PERMISSION CURRENT REV DESC: RE-MASTER IN ECTR					
	EC NO: 614394 DRWN: GLLI 2019/03/26 CHK'D: AYIN 2019/04/17 APPR: AYIN 2019/04/17					
	INITIAL REVISION: DRWN: RMV02 2016/01/14 APPR: AYIN 2017/05/15			PRODUCT CUSTOMER DRAWING		
	DOCUMENT NUMBER: SD-105431-001 DOC TYPE: PSD DOC PART: 000 REVISION: C			SHEET NUMBER: 2 OF 4		

PART NUMBER	DIM. A	DIM. B	DIM. C	CKT SIZE	PLATING	LUBE
105431-1102	8.23	2.50	6.11	2	TIN	
105431-1103	10.73	5.00	8.61	3		
105431-1104	13.23	7.50	11.11	4		
105431-1105	15.73	10.00	13.61	5		
105431-1106	18.23	12.50	16.11	6		
105431-1107	20.73	15.00	18.61	7		
105431-1108	23.23	17.50	21.11	8		
105431-1202	8.23	2.50	6.11	2		
105431-1203	10.73	5.00	8.61	3		
105431-1204	13.23	7.50	11.11	4		
105431-1205	15.73	10.00	13.61	5		
105431-1206	18.23	12.50	16.11	6		
105431-1207	20.73	15.00	18.61	7		
105431-1208	23.23	17.50	21.11	8		
105431-1302	8.23	2.50	6.11	2	GOLD 0.76	
105431-1303	10.73	5.00	8.61	3		
105431-1304	13.23	7.50	11.11	4		
105431-1305	15.73	10.00	13.61	5		
105431-1306	18.23	12.50	16.11	6		
105431-1307	20.73	15.00	18.61	7		
105431-1308	23.23	17.50	21.11	8		
105431-1402	8.23	2.50	6.11	2		
105431-1403	10.73	5.00	8.61	3		
105431-1404	13.23	7.50	11.11	4		
105431-1405	15.73	10.00	13.61	5		
105431-1406	18.23	12.50	16.11	6		
105431-1407	20.73	15.00	18.61	7		
105431-1408	23.23	17.50	21.11	8		

COLOR: BLACK



PART NUMBER	DIM. A	DIM. B	DIM. C	CKT SIZE	PLATING	LUBE
105431-2102	8.23	2.50	6.11	2	TIN	
105431-2103	10.73	5.00	8.61	3		
105431-2104	13.23	7.50	11.11	4		
105431-2105	15.73	10.00	13.61	5		
105431-2106	18.23	12.50	16.11	6		
105431-2107	20.73	15.00	18.61	7		
105431-2108	23.23	17.50	21.11	8		
105431-2202	8.23	2.50	6.11	2		
105431-2203	10.73	5.00	8.61	3		
105431-2204	13.23	7.50	11.11	4		
105431-2205	15.73	10.00	13.61	5		
105431-2206	18.23	12.50	16.11	6		
105431-2207	20.73	15.00	18.61	7		
105431-2208	23.23	17.50	21.11	8		
105431-2302	8.23	2.50	6.11	2	GOLD 0.76	
105431-2303	10.73	5.00	8.61	3		
105431-2304	13.23	7.50	11.11	4		
105431-2305	15.73	10.00	13.61	5		
105431-2306	18.23	12.50	16.11	6		
105431-2307	20.73	15.00	18.61	7		
105431-2308	23.23	17.50	21.11	8		
105431-2402	8.23	2.50	6.11	2		
105431-2403	10.73	5.00	8.61	3		
105431-2404	13.23	7.50	11.11	4		
105431-2405	15.73	10.00	13.61	5		
105431-2406	18.23	12.50	16.11	6		
105431-2407	20.73	15.00	18.61	7		
105431-2408	23.23	17.50	21.11	8		

COLOR: NATURAL

NOTES FOR ALL PARTS

1> MATERIAL:  
HOUSING: LCP, UL 94V-0.  
TERMINAL: BRASS.  
SOLDER CLIP: BRASS.  
2> PLATING FINISHED:  
TERMINAL:  
CONTACT AREA:  
a. TIN 0.76 MICRONS MIN; b. GOLD 0.38 MICRONS MIN; c. GOLD 0.76 MICRONS MIN.  
SOLDER AREA: TIN 0.76 MICRONS MINIMUM.  
UNDER PLATING NICKEL 1.25 MICRONS MINIMUM.  
SOLDER CLIP: TIN 2.5 MICRONS MINIMUM; UNDER PLATING NICKEL 1.25 MICRONS MINIMUM.

3> PRODUCT SPECIFICATION: PS-105405-001.  
4> PACKAGE: TAPE REEL, DETAILS REFER TO DRAWING 1054311000-PK.  
5> ALL COMPONENTS AND PRODUCT COMPLIANT TO RoHS DIRECTIVE 2011/65/EU AND ELV DIRECTIVE 2000/53/EC.  
6> PRODUCT MATE WITH SERIES OF 105307(RECEPTACLE), 105300(CRIMP TERMINAL).  
7> PARTS CONFORM TO CLASS 'B' REQUIREMENTS OF COSMETIC SPECIFICATION PS-45499-002.

QUALITY SYMBOLS	RE-MASTER IN ECTR
▽A = 0	2019/03/26
▽E = 0	2019/04/17
▽B = 0	2019/04/17
▼ = 0	
▽C = 0	
⊗ = 0	
■ = 0	
▽ = 0	

THIS DRAWING CONTAINS INFORMATION THAT IS PROPRIETARY TO MOLEX ELECTRONIC TECHNOLOGIES, LLC AND SHOULD NOT BE USED WITHOUT WRITTEN PERMISSION

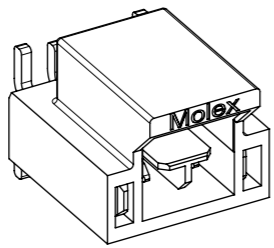
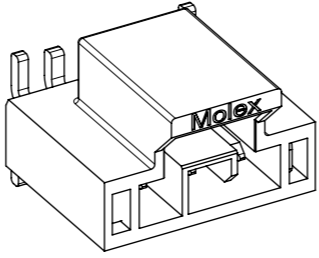
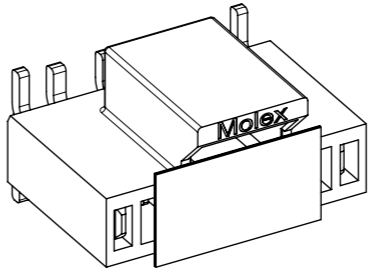
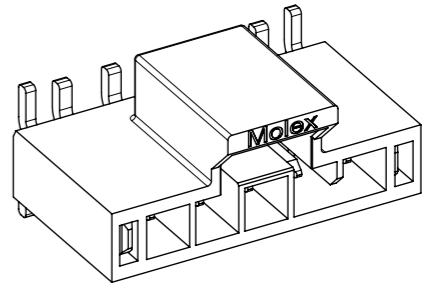
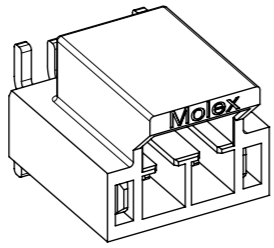
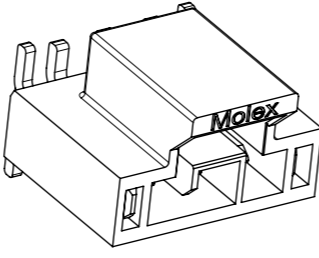
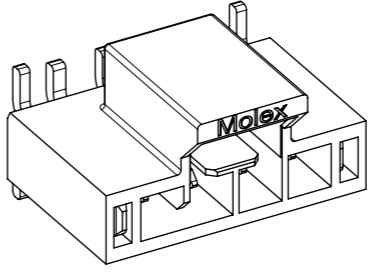
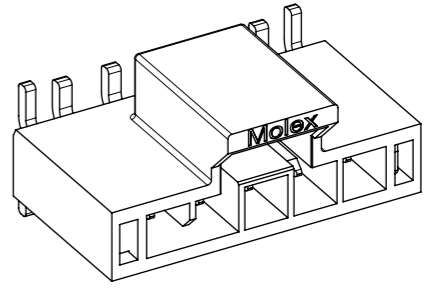
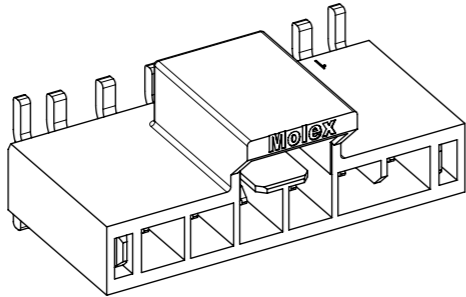
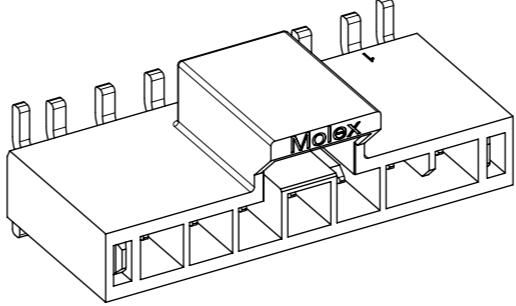
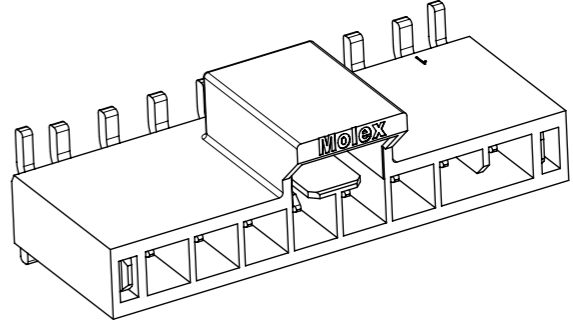
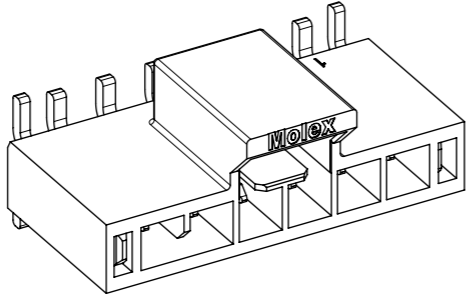
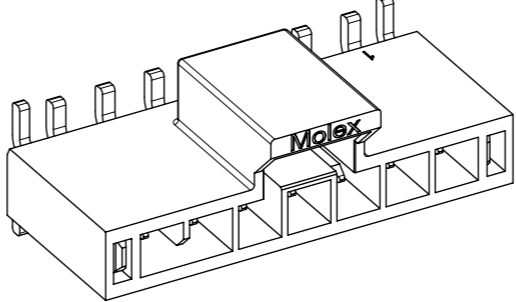
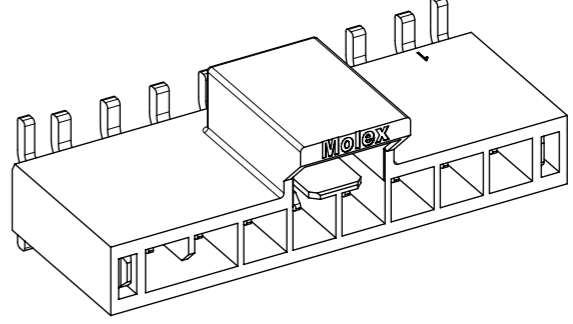
DRWN BY WJHUO	DATE 2014/10/30
CHK'D BY	DATE
APPR BY AYIN	DATE 2015/03/12
DRAWING SIZE A3	THIRD ANGLE PROJECTION

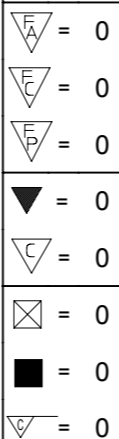

**molex**

SD DRAWING FOR  
NANO-FIT HEADER OF SMT VERTICAL SINGLE CONN.

PRODUCT CUSTOMER DRAWING

SERIES 105431	MATERIAL NUMBER SEE TABLE	CUSTOMER GENERAL MARKET
DOCUMENT NUMBER SD-105431-001	DOC TYPE PSD	DOC PART 000
		SHEET NUMBER 3 OF 4

	2 CKT	3 CKT	4 CKT	5 CKT
BLACK				
NATURAL				
	6 CKT	7 CKT	8 CKT	
BLACK				
NATURAL				

THIS DRAWING CONTAINS INFORMATION THAT IS PROPRIETARY TO MOLEX ELECTRONIC TECHNOLOGIES, LLC AND SHOULD NOT BE USED WITHOUT WRITTEN PERMISSION														
<b>QUALITY SYMBOLS</b> 		<b>RE-MASTER IN ECTR</b> EC NO: 614394 DRWN: GLLI CHK'D: AYIN APPR: AYIN			<b>GENERAL TOLERANCES (UNLESS SPECIFIED)</b> ANGULAR TOL ± 3.0 ° 4 PLACES ± 3 PLACES ± 2 PLACES ± 0.2 1 PLACE ± 0.3 0 PLACES ±		DRAFT WHERE APPLICABLE MUST REMAIN WITHIN DIMENSIONS		DIMENSION UNITS: mm SCALE: 3:1		DRWN BY: RMV02 DATE: 2016/01/14 CHK'D BY: DATE: APPR BY: AYIN DATE: 2017/05/15		 SD DRAWING FOR NANO-FIT HEADER OF SMT VERTICAL SINGLE CONN.	
						DRAWING SIZE: A3 THIRD ANGLE PROJECTION		PRODUCT CUSTOMER DRAWING		SERIES: 105431 MATERIAL NUMBER: CUSTOMER: GENERAL MARKET				
RELEASE STATUS: P1 RELEASE DATE: 2019/04/17 04:08:03								DOCUMENT NUMBER: SD-105431-001 DOC TYPE: PSD DOC PART: 000 SHEET NUMBER: 4 OF 4						