

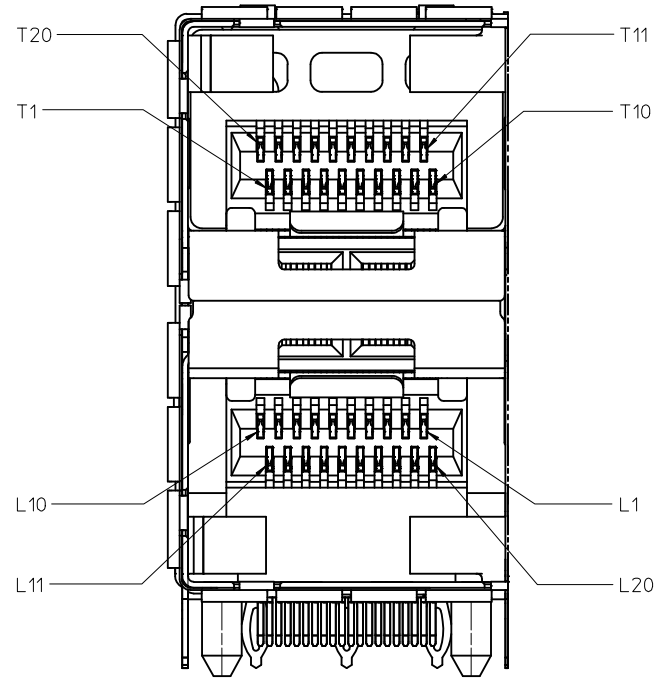
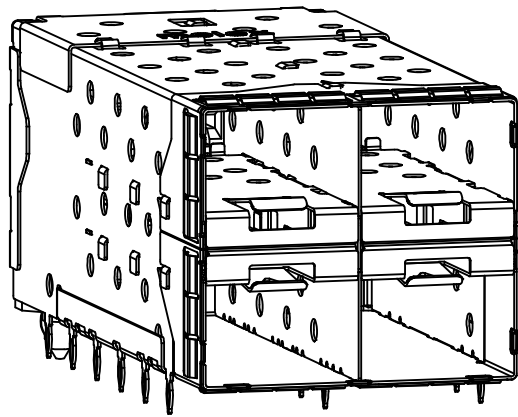
NOTES:

- MATERIAL:
 CAGE: NICKEL SILVER, THICKNESS: 0.25mm
 CONNECTOR HOUSING: GLASS FILLED LIQUID CRYSTAL POLYMER (LCP), UL 94V-0, COLOR: BLACK
 OVERMOLD TERMINAL HOUSING: GLASS FILLED LIQUID CRYSTAL POLYMER (LCP), UL 94V-0, COLOR: BLACK
 TERMINALS: TIN BRASS
- FINISHES:
 TERMINALS: CONTACT AREA: 0.76 MICROMETERS MINIMUM HARD GOLD OVER 1.27 MICROMETERS MINIMUM NICKEL.
 COMPLIANT TAIL - MATTE TIN/LEAD OPTION: 0.76 TO 1.52 MICROMETERS 90/10 MATTE TIN-LEAD OVER 0.76 MICROMETERS MINIMUM NICKEL.
 COMPLIANT TAIL - MATTE TIN OPTION: 0.76 TO 1.52 MICROMETERS MATTE TIN OVER 0.76 MICROMETERS MINIMUM NICKEL.
- REFER TO PS-75310-001 PRODUCT SPEC FOR ALL ELECTRICAL, MECHANICAL AND ENVIRONMENTAL SPECIFICATIONS.
- REFER TO PK-75450-001 FOR ALL PACKAGING SPECIFICATIONS.
- THE SURFACES CONFORM TO THE MOLEX COSMETIC SPEC PS-45499-002.
 ALL EXTERIOR SURFACES TO BE CLASS "B" SURFACE EXCEPT THE UNDERSIDE (CLASS "C") OF THE CAGE (SIDE TOWARD THE PCB) AND AS OTHERWISE NOTED.
- REFER TO AS-76090-001 FOR HIGH SPEED ROUTING RECOMMENDATIONS.
- DATE CODE LOCATION IS SHOWN ABOVE.

DATE CODE FORMAT: DDDY MX A1
 DDD = DAY OF THE YEAR
 Y = YEAR
 MX = MOLEX
 A = ALPHA CHARACTER - INDICATES MANUFACTURING LINE
 1 = NUMERIC CHARACTER - INDICATES PRODUCTION SHIFT

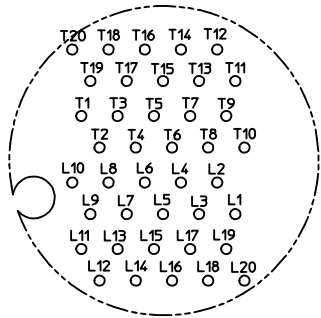
PART NUMBER	COMPLIANT TAIL PLATING
760650001	MATTE TIN / LEAD
760655001	MATTE TIN

CLARIFY VIEWS EC NO: UCP2013-5582 DRAWN: TIBARRA 2013/07/01 CHKD: BBARKER 2013/07/01 APPR: SMILLER 2013/08/05	QUALITY SYMBOLS 	GENERAL TOLERANCES (UNLESS SPECIFIED) <table border="1"> <thead> <tr> <th></th> <th>mm</th> <th>INCH</th> </tr> </thead> <tbody> <tr> <td>4 PLACES</td> <td>± .005</td> <td>± .0004</td> </tr> <tr> <td>3 PLACES</td> <td>± .008</td> <td>± .0003</td> </tr> <tr> <td>2 PLACES</td> <td>± 0.13</td> <td>± .005</td> </tr> <tr> <td>1 PLACE</td> <td>± 0.25</td> <td>± .010</td> </tr> <tr> <td>0 PLACE</td> <td>±</td> <td>±</td> </tr> </tbody> </table>		mm	INCH	4 PLACES	± .005	± .0004	3 PLACES	± .008	± .0003	2 PLACES	± 0.13	± .005	1 PLACE	± 0.25	± .010	0 PLACE	±	±	DIMENSION STYLE MM ONLY DRAWN BY DATE MSANDBERG 10-23-06 CHECKED BY DATE JLONG 10-23-06 APPROVED BY DATE RNELSON 10-23-06 MATERIAL NO. SEE TABLE	SCALE 3:1 DESIGN UNITS METRIC THIRD ANGLE PROJECTION 	TITLE STACKED SFP+ 2X2 ASS'Y WITH METAL EMI GASKET DOCUMENT NO. SD-76065-001 SHEET NO. 1 OF 4
		mm	INCH																				
	4 PLACES	± .005	± .0004																				
	3 PLACES	± .008	± .0003																				
2 PLACES	± 0.13	± .005																					
1 PLACE	± 0.25	± .010																					
0 PLACE	±	±																					
DRAFT WHERE APPLICABLE MUST REMAIN WITHIN DIMENSIONS	SIZE 	THIS DRAWING CONTAINS INFORMATION THAT IS PROPRIETARY TO MOLEX INCORPORATED AND SHOULD NOT BE USED WITHOUT WRITTEN PERMISSION																					

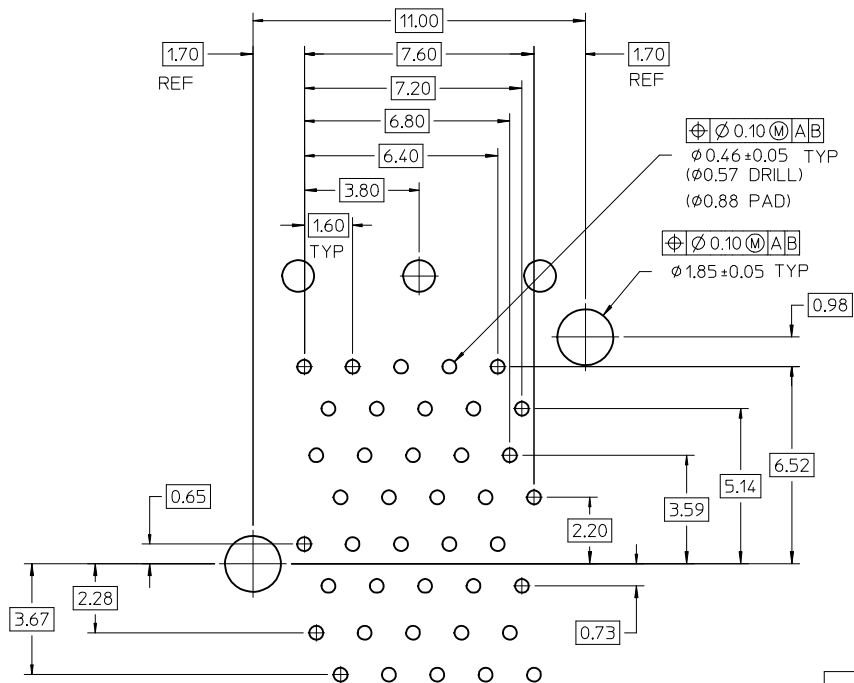


DETAIL B
SCALE 6:1
CIRCUIT NUMBERING

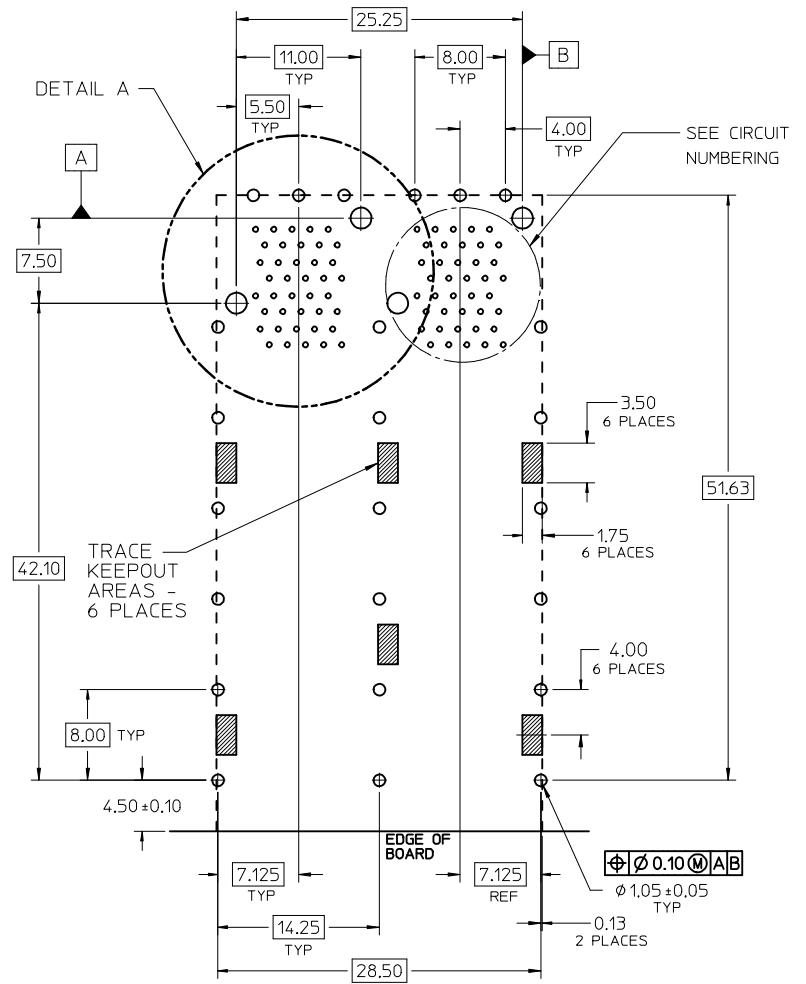
SEE SHEET 1 EC NO: UCP2013-5582 DRAWN: TIBARRA 2013/07/01 CHKD: BBARKER 2013/07/01 APPR: SMILLER 2013/08/05	QUALITY SYMBOLS ▽=0 ▽=0 ▽=0	GENERAL TOLERANCES (UNLESS SPECIFIED)		DIMENSION STYLE MM ONLY		SCALE 3:1	DESIGN UNITS METRIC	THIRD ANGLE PROJECTION		
			mm	INCH	DRAWN BY MSANDBERG	DATE 10-23-06	TITLE STACKED SFP+ 2X2 ASS'Y WITH METAL EMI GASKET			
		4 PLACES ± ---	± ---	± ---	CHECKED BY JLONG	DATE 10-23-06				
		3 PLACES ± ---	± ---	± ---	APPROVED BY RNELSON	DATE 10-23-06	DOCUMENT NO. SD-76065-001			
2 PLACES ± 0.13	± ---	± ---	MATERIAL NO.		SHEET NO. 2 OF 4					
1 PLACE ± 0.25	± ---	± ---	DRAFT WHERE APPLICABLE MUST REMAIN WITHIN DIMENSIONS		SIZE C		THIS DRAWING CONTAINS INFORMATION THAT IS PROPRIETARY TO MOLEX INCORPORATED AND SHOULD NOT BE USED WITHOUT WRITTEN PERMISSION			
0 PLACE ±	±	±	ANGULAR ± 5 °							



CIRCUIT NUMBERING
COMPONENT SIDE OF BOARD

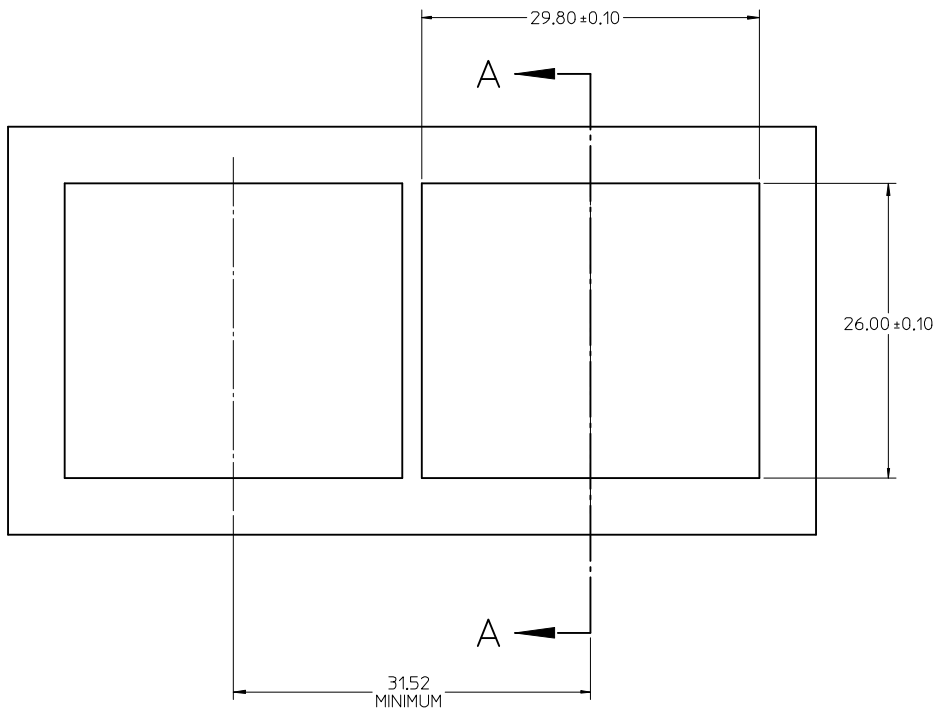


DETAIL A
SCALE 8:1

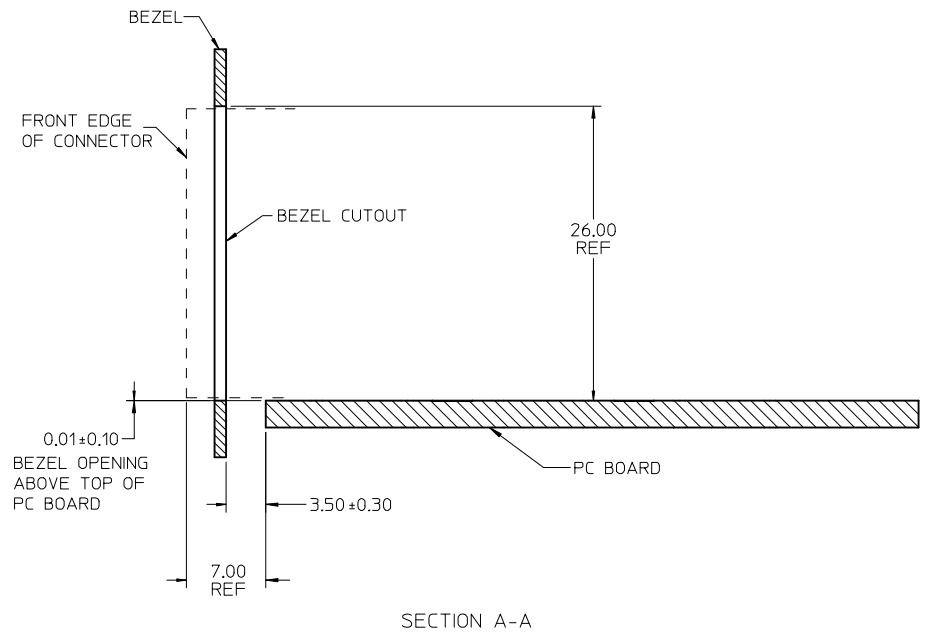


RECOMMENDED PCB LAYOUT - COMPONENT SIDE
RECOMMENDED PCB THICKNESS - 2.36 MM (.093 INCH)
THE ENTIRE AREA OF THE CONNECTOR FOOTPRINT
TO BE CONSIDERED THE KEEP OUT AREA FOR COMPONENTS
THIS AREA IS INDICATED BY THE DASHED LINE

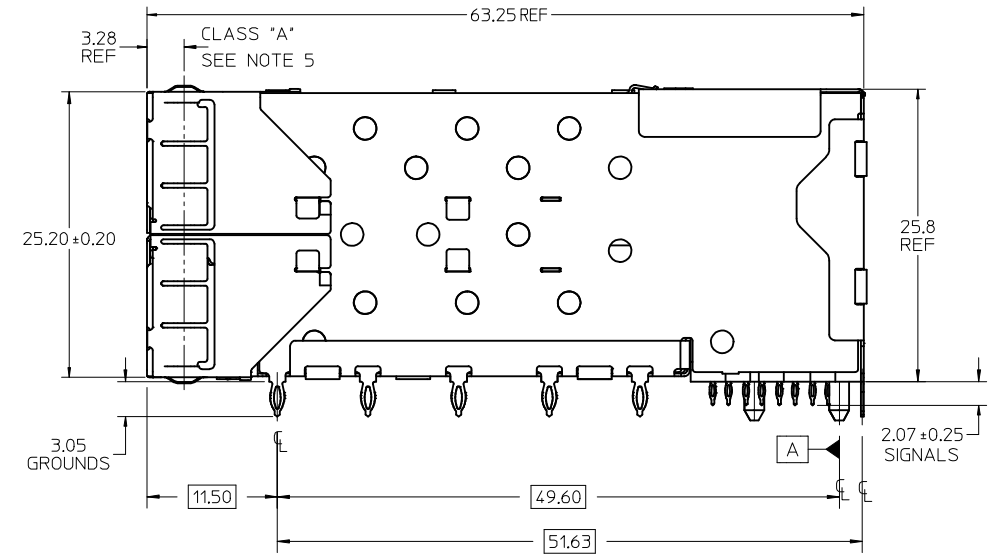
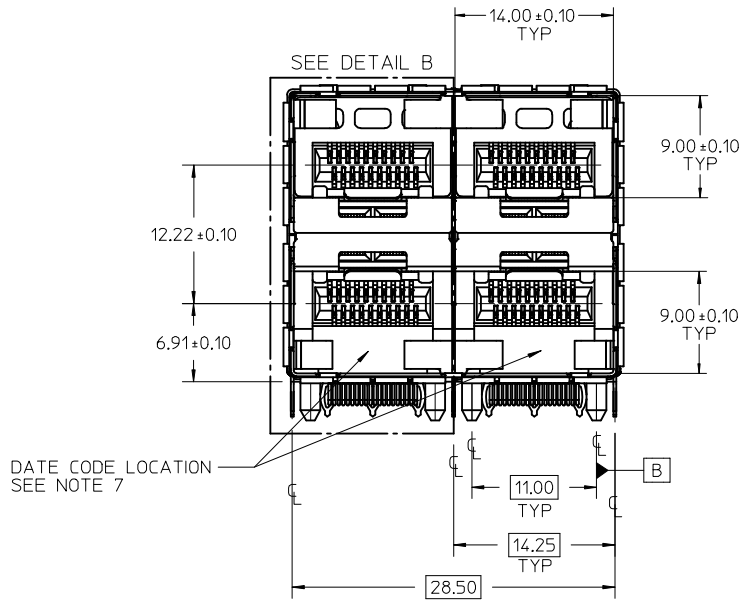
SEE SHEET 1 EC NO: UCP2013-5582 DRAWN: TIBARRA 2013/07/01 CHKD: BBARKER 2013/07/01 APPR: SMILLER 2013/08/05	QUALITY SYMBOLS ▽=0 ▽=0 ▽=0	GENERAL TOLERANCES (UNLESS SPECIFIED)		DIMENSION STYLE MM ONLY		SCALE 3:1	DESIGN UNITS METRIC	THIRD ANGLE PROJECTION	
								STACKED SFP+ 2X2 ASS'Y WITH METAL EMI GASKET	
								molex	
								DOCUMENT NO. SD-76065-001	SHEET NO. 3 OF 4
								THIS DRAWING CONTAINS INFORMATION THAT IS PROPRIETARY TO MOLEX INCORPORATED AND SHOULD NOT BE USED WITHOUT WRITTEN PERMISSION	



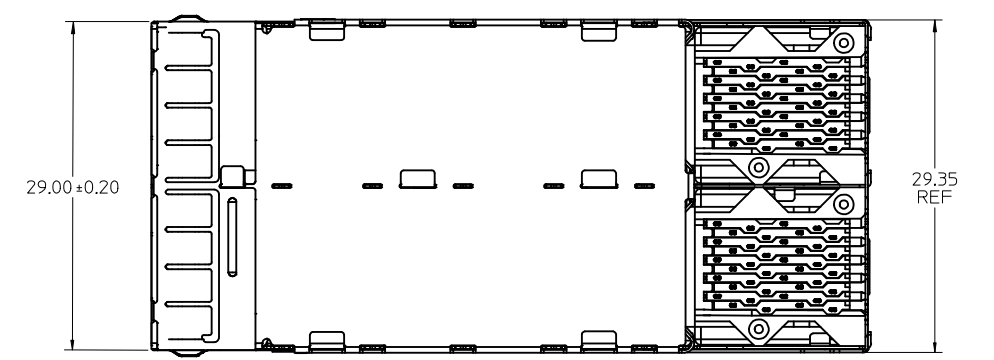
BEZEL CUT-OUT CENTER SPACING DETAIL
 BEZEL THICKNESS: 0.8 - 2.6



SEE SHEET 1 EC NO: UCP2013-5582 DRAWN BY: TIBARRA 2013/07/01 CHECKED BY: CHKD8BARKER 2013/07/01 APPR: SWILLER 2013/08/05	QUALITY SYMBOLS 	GENERAL TOLERANCES (UNLESS SPECIFIED)		DIMENSION STYLE MM ONLY		SCALE 3:1	DESIGN UNITS METRIC	THIRD ANGLE PROJECTION
		4 PLACES ± --- ± ---	DRAWN BY MSANDBERG	DATE 10-23-06	TITLE STACKED SFP+ 2X2 ASS'Y WITH METAL EMI GASKET			
		3 PLACES ± --- ± ---	CHECKED BY JLONG	DATE 10-23-06				
		2 PLACES ± 0.13 ± ---	APPROVED BY RNELSON	DATE 10-23-06	DOCUMENT NO. SD-76065-001			
1 PLACE ± 0.25 ± ---	ANGULAR ± 5 °		MATERIAL NO. SEE TABLE	SHEET NO. 4 OF 4				
0 PLACE ± ±	DRAFT WHERE APPLICABLE MUST REMAIN WITHIN DIMENSIONS		SIZE 	THIS DRAWING CONTAINS INFORMATION THAT IS PROPRIETARY TO MOLEX INCORPORATED AND SHOULD NOT BE USED WITHOUT WRITTEN PERMISSION				

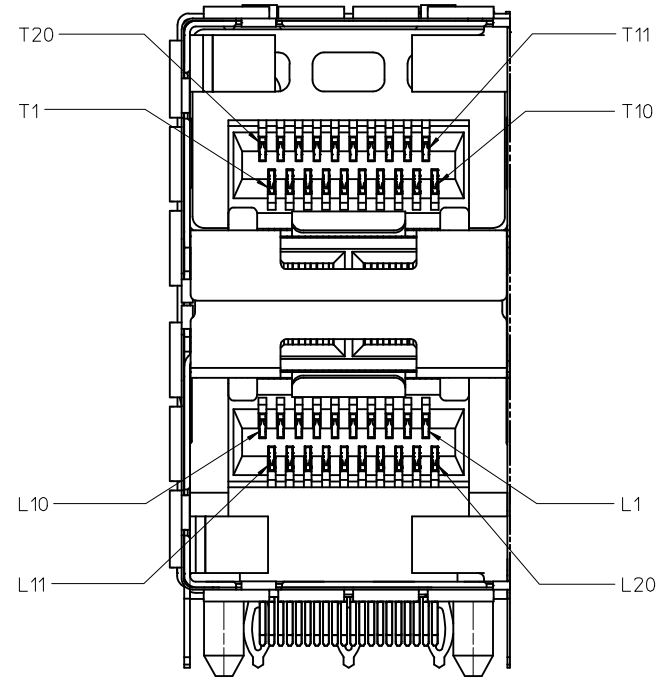
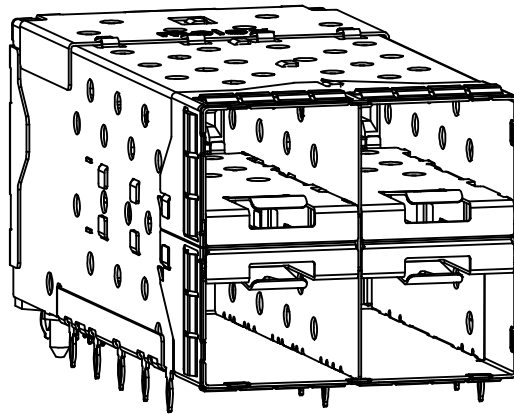


- NOTES:
- MATERIAL:
 - CAGE: NICKEL SILVER, THICKNESS: 0.25mm
 - CONNECTOR HOUSING: GLASS FILLED LIQUID CRYSTAL POLYMER (LCP), UL 94V-0, COLOR: BLACK
 - OVERMOLD TERMINAL HOUSING: GLASS FILLED LIQUID CRYSTAL POLYMER (LCP), UL 94V-0, COLOR: BLACK
 - TERMINALS: TIN BRASS
 - FINISHES:
 - TERMINALS: CONTACT AREA: 0.76 MICROMETERS MINIMUM HARD GOLD OVER 1.27 MICROMETERS MINIMUM NICKEL.
 - COMPLIANT TAIL - MATTE TIN/LEAD OPTION: 0.76 TO 1.52 MICROMETERS 90/10 MATTE TIN-LEAD OVER 0.76 MICROMETERS MINIMUM NICKEL.
 - COMPLIANT TAIL - MATTE TIN OPTION: 0.76 TO 1.52 MICROMETERS MATTE TIN OVER 0.76 MICROMETERS MINIMUM NICKEL.
 - REFER TO PS-75310-001 PRODUCT SPEC FOR ALL ELECTRICAL, MECHANICAL AND ENVIRONMENTAL SPECIFICATIONS.
 - REFER TO PK-75450-001 FOR ALL PACKAGING SPECIFICATIONS.
 - THE SURFACES CONFORM TO THE MOLEX COSMETIC SPEC PS-45499-002. ALL EXTERIOR SURFACES TO BE CLASS "B" SURFACE EXCEPT THE UNDERSIDE (CLASS "C") OF THE CAGE (SIDE TOWARD THE PCB) AND AS OTHERWISE NOTED.
 - REFER TO AS-76090-001 FOR HIGH SPEED ROUTING RECOMMENDATIONS.
 - DATE CODE LOCATION IS SHOWN ABOVE.
 - DATE CODE FORMAT: DDDY MX A1
 - DDD = DAY OF THE YEAR
 - Y = YEAR
 - MX = MOLEX
 - A = ALPHA CHARACTER - INDICATES MANUFACTURING LINE
 - 1 = NUMERIC CHARACTER - INDICATES PRODUCTION SHIFT



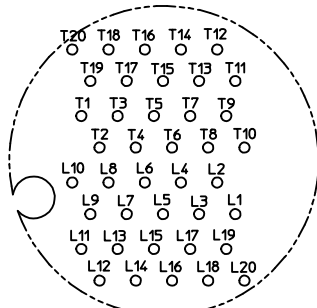
PART NUMBER	COMPLIANT TAIL PLATING
760657001	MATTE TIN

INITIAL RELEASE EC NO: UCP2013-5582 DRWN: TIBARRA 2013/06/27 CHKD: BBARKER 2013/07/01 APPR: SMILLER 2013/08/05	QUALITY SYMBOLS ▽=0 ▽=0 ▽=0	GENERAL TOLERANCES (UNLESS SPECIFIED)	DIMENSION STYLE MM ONLY	SCALE 3:1	DESIGN UNITS METRIC	THIRD ANGLE PROJECTION	
		4 PLACES ± --- ± ---	DRAWN BY DATE TIBARRA 2013/06/27	STACKED SFP+ 2X2 ASS'Y WITH METAL EMI GASKET molex DOCUMENT NO. SD-76065-7001 SHEET NO. 1 OF 4			
		3 PLACES ± --- ± ---	CHECKED BY DATE BBARKER 2013/07/01				
		2 PLACES ± 0.13 ± ---	APPROVED BY DATE SMILLER 2013/08/05				
1 PLACE ± 0.25 ± ---	MATERIAL NO.						
A	REV	ANGULAR ± 5 °	SEE TABLE	THIS DRAWING CONTAINS INFORMATION THAT IS PROPRIETARY TO MOLEX INCORPORATED AND SHOULD NOT BE USED WITHOUT WRITTEN PERMISSION			
DRAFT WHERE APPLICABLE MUST REMAIN WITHIN DIMENSIONS		SIZE C					

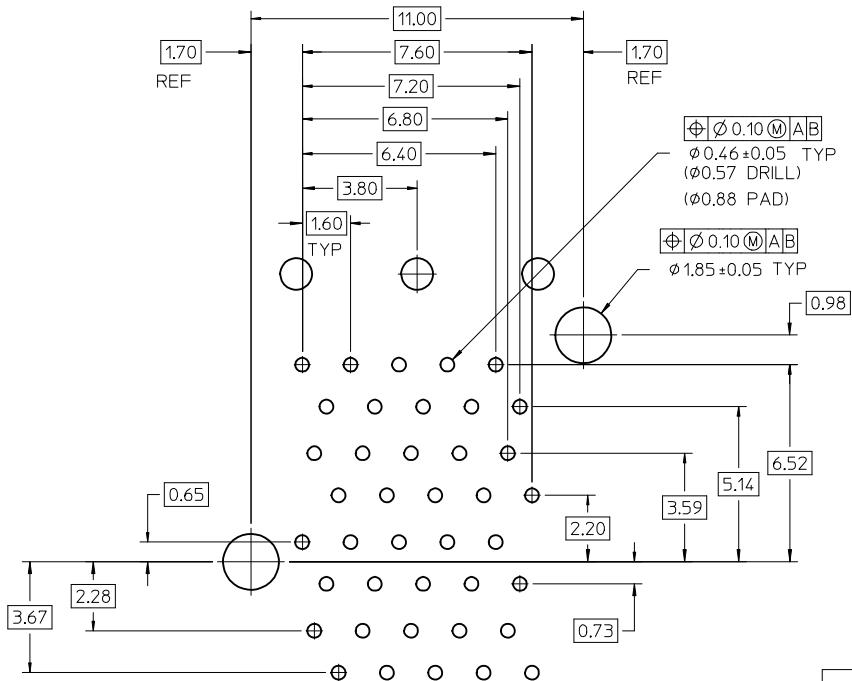


DETAIL B
SCALE 6:1
CIRCUIT NUMBERING

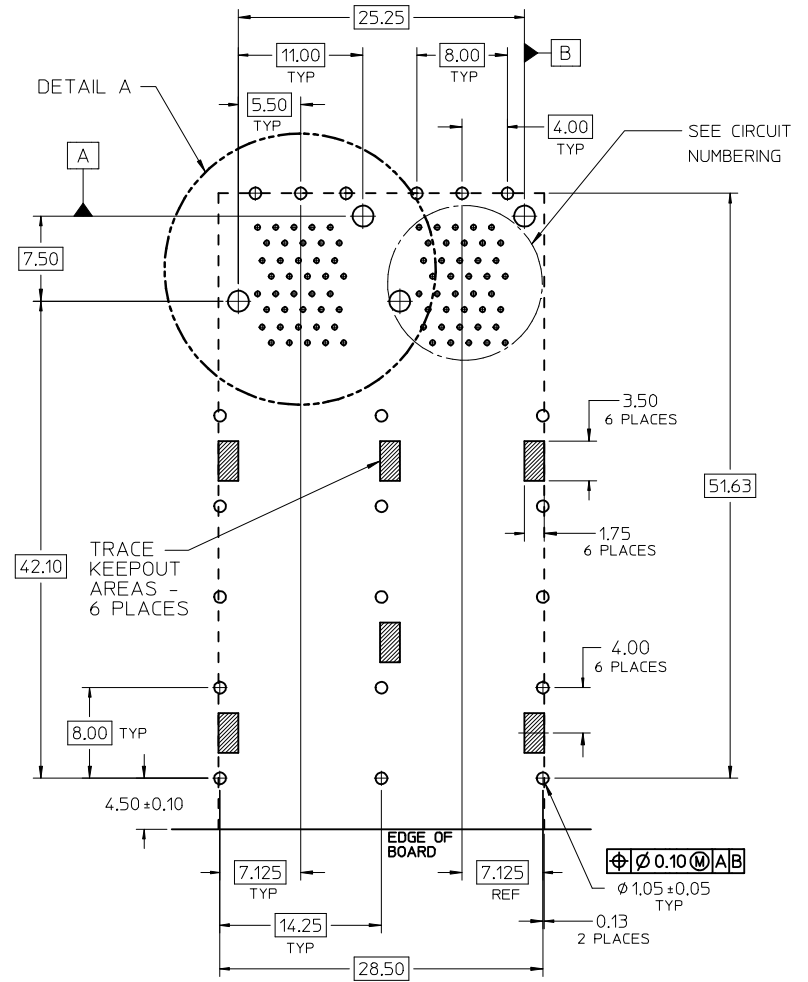
SEE SHEET 1 EC NO: UCP2013-5582 DRWN: TIBARRA 2013/06/27 CHKD: BBARKER 2013/07/01 APPR: SMILLER 2013/08/05	QUALITY SYMBOLS = 0 = 0 = 0	GENERAL TOLERANCES (UNLESS SPECIFIED)		DIMENSION STYLE MM ONLY		SCALE 3:1	DESIGN UNITS METRIC	THIRD ANGLE PROJECTION
		mm	INCH	DRAWN BY TIBARRA	DATE 2013/06/27	TITLE STACKED SFP+ 2X2 ASS'Y WITH METAL EMI GASKET		
		4 PLACES ± ---	± ---	CHECKED BY BBARKER	DATE 2013/07/01			
		3 PLACES ± ---	± ---	APPROVED BY SMILLER	DATE 2013/08/05			
2 PLACES ± 0.13	± ---	MATERIAL NO.	DOCUMENT NO.					
1 PLACE ± 0.25	± ---	ANGULAR ± 5 °		SEE TABLE	SD-76065-7001	SHEET NO. 2 OF 4		
0 PLACE ±	±	DRAFT WHERE APPLICABLE MUST REMAIN WITHIN DIMENSIONS		SIZE C	THIS DRAWING CONTAINS INFORMATION THAT IS PROPRIETARY TO MOLEX INCORPORATED AND SHOULD NOT BE USED WITHOUT WRITTEN PERMISSION			



CIRCUIT NUMBERING
COMPONENT SIDE OF BOARD

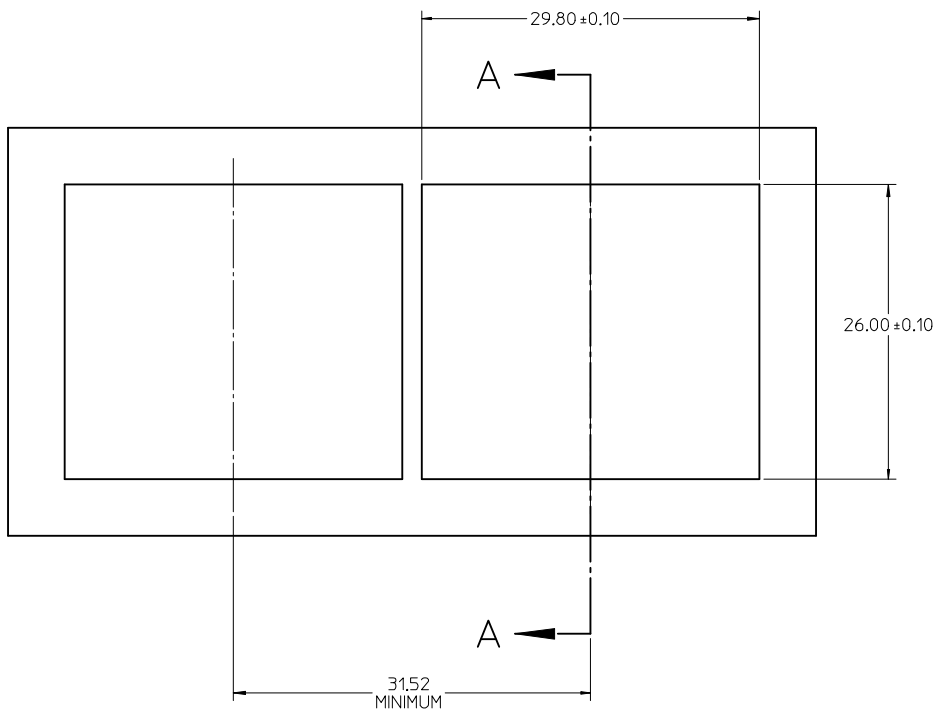


DETAIL A
SCALE 8:1

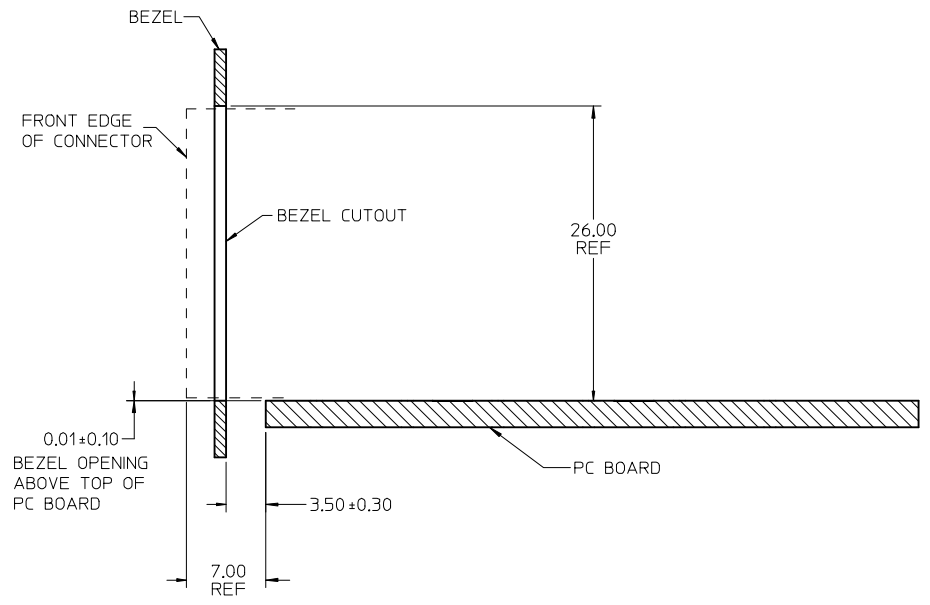


RECOMMENDED PCB LAYOUT - COMPONENT SIDE
RECOMMENDED PCB THICKNESS - 2.36 MM (.093 INCH)
THE ENTIRE AREA OF THE CONNECTOR FOOTPRINT
TO BE CONSIDERED THE KEEP OUT AREA FOR COMPONENTS
THIS AREA IS INDICATED BY THE DASHED LINE

SEE SHEET 1 EC NO: UCP2013-5582 DRWN: TIBARRA 2013/06/27 CHKD: BBARKER 2013/07/01 APPR: SMILLER 2013/08/05	DESCRIPTION	QUALITY SYMBOLS	GENERAL TOLERANCES (UNLESS SPECIFIED)	DIMENSION STYLE MM ONLY	SCALE 3:1	DESIGN UNITS METRIC	THIRD ANGLE PROJECTION
		▽=0 ▽=0 ▽=0	mm INCH	DRAWN BY DATE TIBARRA 2013/06/27	TITLE STACKED SFP+ 2X2 ASS'Y WITH METAL EMI GASKET		
A	REV		4 PLACES ± --- ± ---	CHECKED BY DATE BBARKER 2013/07/01			
			3 PLACES ± --- ± ---	APPROVED BY DATE SMILLER 2013/08/05			
			2 PLACES ± 0.13 ± ---	MATERIAL NO.	DOCUMENT NO.	SHEET NO.	
			1 PLACE ± 0.25 ± ---	SEE TABLE	SD-76065-7001	3 OF 4	
			0 PLACE ± ±	THIS DRAWING CONTAINS INFORMATION THAT IS PROPRIETARY TO MOLEX INCORPORATED AND SHOULD NOT BE USED WITHOUT WRITTEN PERMISSION			
			ANGULAR ± 5 °				
			DRAFT WHERE APPLICABLE MUST REMAIN WITHIN DIMENSIONS				



BEZEL CUT-OUT CENTER SPACING DETAIL
BEZEL THICKNESS: 0.8 - 2.6



SECTION A-A

SEE SHEET 1 EC NO: UCP2013-5582 DRW: TIBARRA 2013/06/27 CHK: BBARKER 2013/07/01 APPR: SMILLER 2013/08/05	QUALITY SYMBOLS 	GENERAL TOLERANCES (UNLESS SPECIFIED)		DIMENSION STYLE	SCALE	DESIGN UNITS	THIRD ANGLE PROJECTION	
				MM ONLY	3:1	METRIC		
				TIBARRA	2013/06/27	TITLE STACKED SFP+ 2X2 ASS'Y WITH METAL EMI GASKET		
				BBARKER	2013/07/01			
		SMILLER	2013/08/05					
		MATERIAL NO.					DOCUMENT NO.	SHEET NO.
		ANGULAR ± 5 °		SEE TABLE	SD-76065-7001	4 OF 4		
		DRAFT WHERE APPLICABLE MUST REMAIN WITHIN DIMENSIONS		THIS DRAWING CONTAINS INFORMATION THAT IS PROPRIETARY TO MOLEX INCORPORATED AND SHOULD NOT BE USED WITHOUT WRITTEN PERMISSION				