

Customer Information Sheet

DRAWING No.: M300-MCXXX05MI-XXXXL

SHEET 2 OF 2

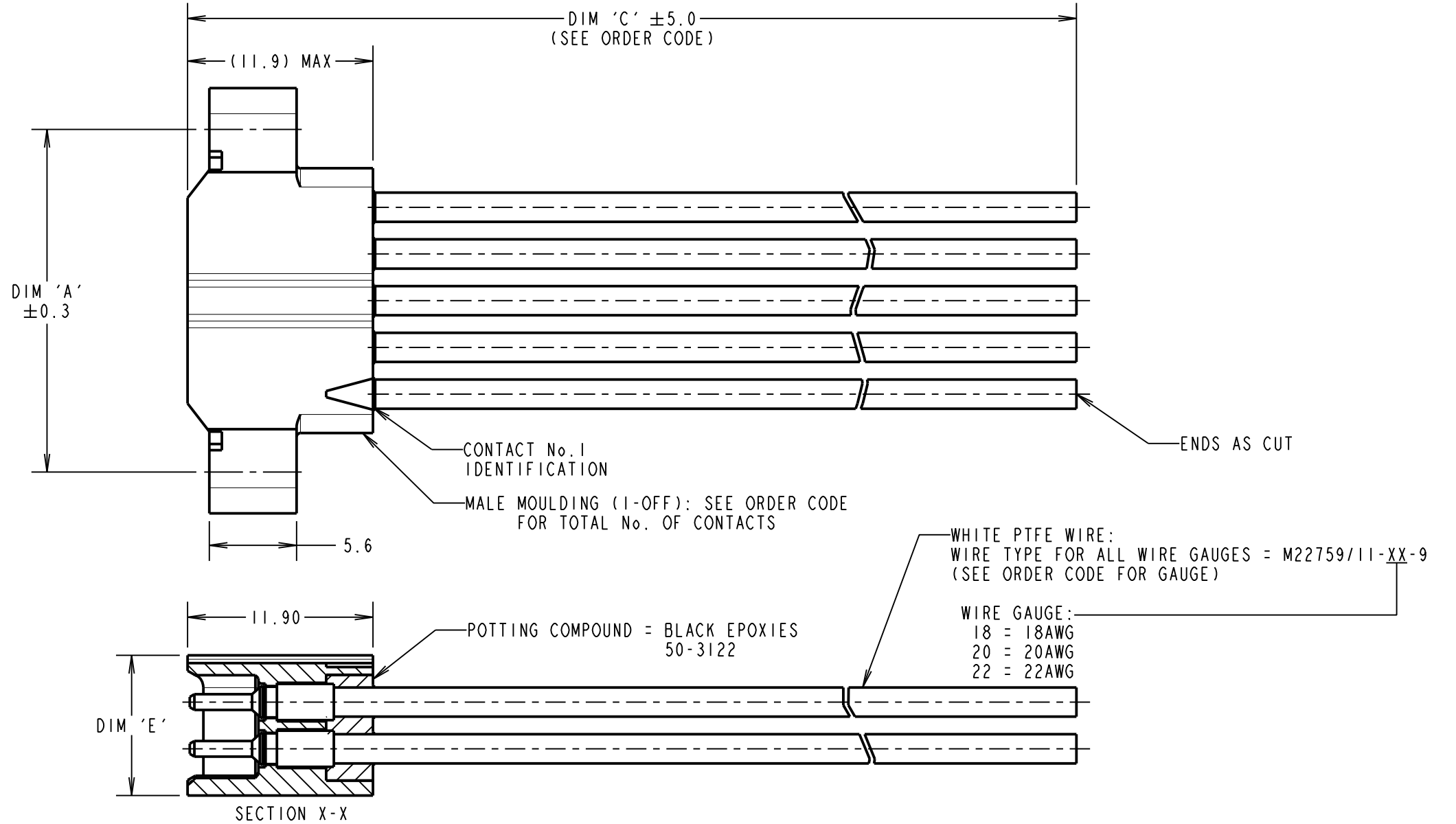
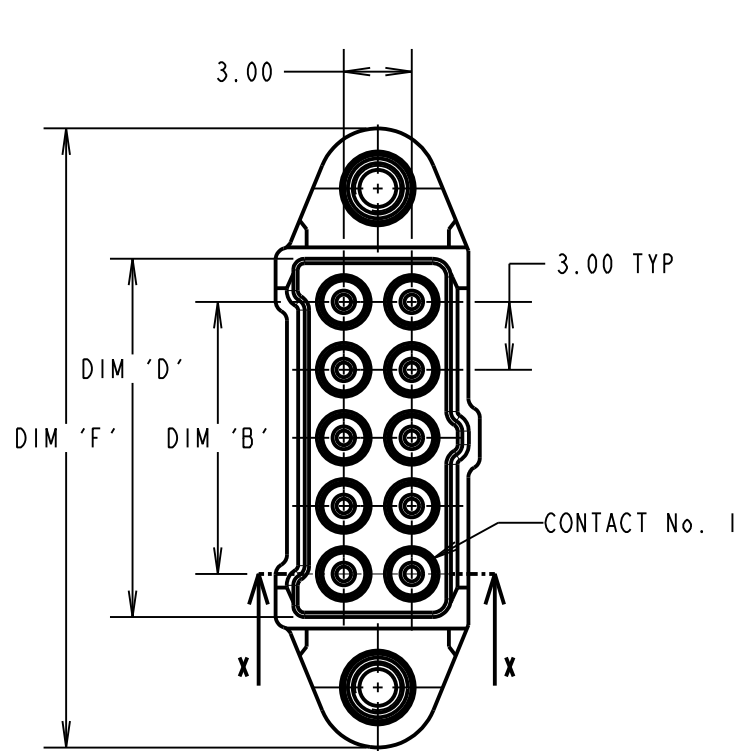
IF IN DOUBT - ASK

©

NOT TO SCALE

THIRD ANGLE PROJECTION

ALL DIMENSIONS IN mm



VIEWS SHOW
DOUBLE ROW (DIL),
3 WAY CONNECTOR IS
SINGLE ROW (SIL)

NOTES:

1. CABLE ASSEMBLIES WILL BE PACKED IN BAGS OF 10.
2. FOR COMPLETE SPECIFICATION, SEE COMPONENT SPECIFICATION C048XX (LATEST ISSUE) AND C049XX (LATEST ISSUE).

DIMENSION	MEASUREMENT
DIM 'A'	((No. OF CONTACTS PER ROW - 1) x 3) + 10.00
DIM 'B'	(No. OF CONTACTS PER ROW - 1) x 3
DIM 'D'	((No. OF CONTACTS PER ROW - 1) x 3) + 3.80
DIM 'E'	3 CONTACTS = 6.00, 6 & 10 CONTACTS = 9.00
DIM 'F'	((No. OF CONTACTS - 1) x 3) + 15.30

EXAMPLE PART No.:

- 10 DIL CONTACTS CONNECTOR WITH 150mm OF 18AWG WIRE = M300-MC11005MI-0150L
- 3 SIL CONTACTS CONNECTOR WITH 450mm OF 22AWG WIRE = M300-MC70305MI-0450L

ORDER CODE:

M300-MCXXX05MI-XXXXL

- | | |
|---|---|
| <p>WIRE AWG:</p> <ul style="list-style-type: none"> 1 = 18AWG DIL 2 = 20AWG DIL 3 = 22AWG DIL 5 = 18AWG SIL 6 = 20AWG SIL 7 = 22AWG SIL | <p>DIM 'C' LENGTH:</p> <ul style="list-style-type: none"> 0060 = 60mm MIN 9999 = 9999mm MAX (SEE TABLE FOR EXAMPLES) |
| <p>TOTAL No. OF CONTACTS:</p> <ul style="list-style-type: none"> 03 = 03 CONTACTS (SIL ONLY) 06 = 06 CONTACTS (DIL ONLY) 10 = 10 CONTACTS (DIL ONLY) | <p>STOCKED CABLE LENGTHS:</p> <ul style="list-style-type: none"> 0150 = 150mm 0300 = 300mm 0450 = 450mm |

FM	3	16.04.18	21155
NAME	ISS.	DATE	C/NOTE
APPROVED: F.MCGOWAN			
CHECKED: M.PLESTED			
DRAWN: M.PERREN			
CUSTOMER REF.:			
ASSEMBLY DRG:			

HARWIN

www.harwin.com
technical@harwin.com

THIS DRAWING AND ANY INFORMATION OR DESCRIPTIVE MATTER SET OUT HEREON ARE CONFIDENTIAL AND COPYRIGHT PROPERTY OF THE HARWIN GROUP AND MUST NOT BE DISCLOSED, LOANED, COPIED OR USED FOR MANUFACTURING, TENDERING OR FOR ANY OTHER PURPOSE WITHOUT THEIR WRITTEN PERMISSION.

TOLERANCES

- X. = ±1mm
- X.X = ±0.50mm
- X.XX = ±0.10mm
- X.XXX = ±0.01mm
- ANGLES = ±5°
- UNLESS STATED

MATERIAL:

SEE ABOVE

FINISH:

SEE ABOVE

S/AREA:

mm²

TITLE:

M300 MALE SINGLE-ENDED
CABLE ASSEMBLY

DRAWING NUMBER:

M300-MCXXX05MI-XXXXL

SHT
2
OF
2