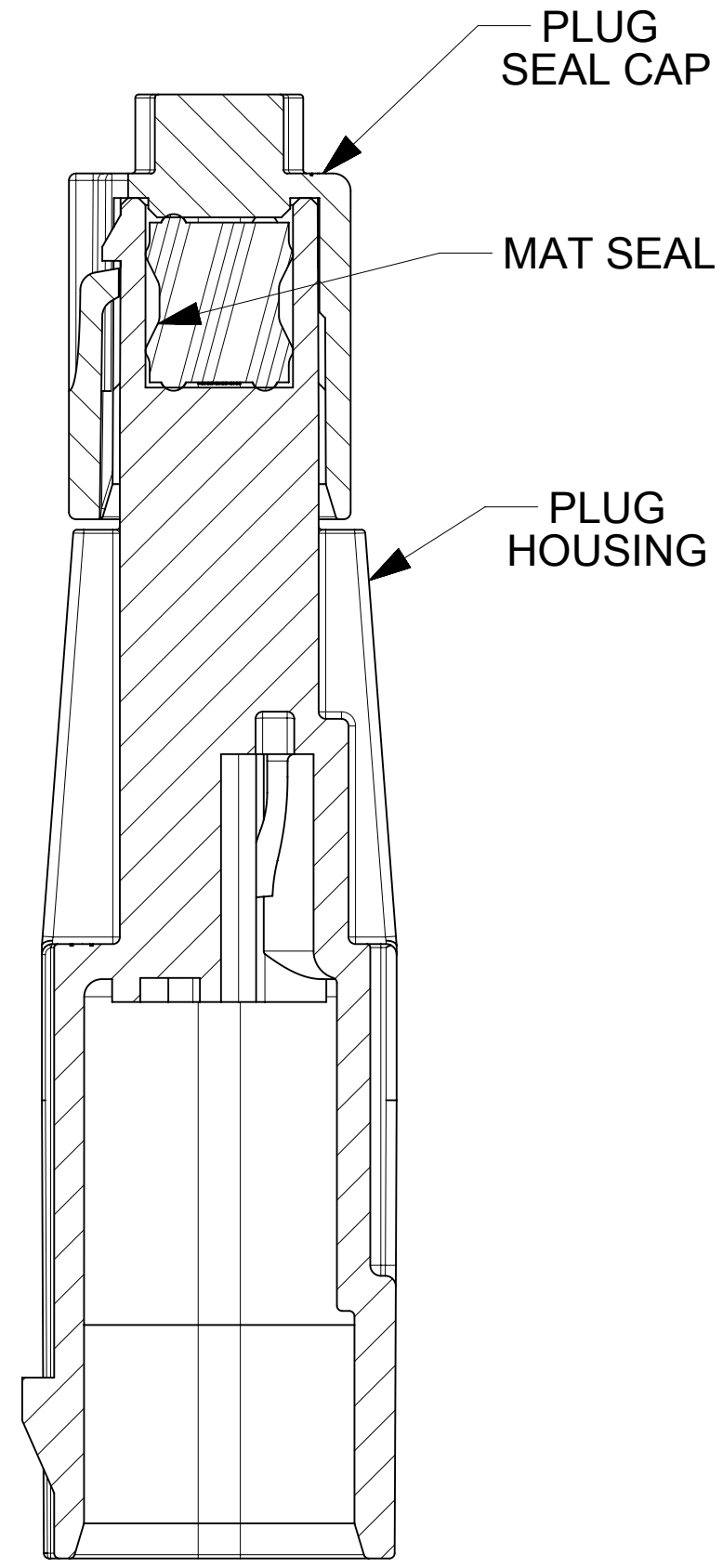
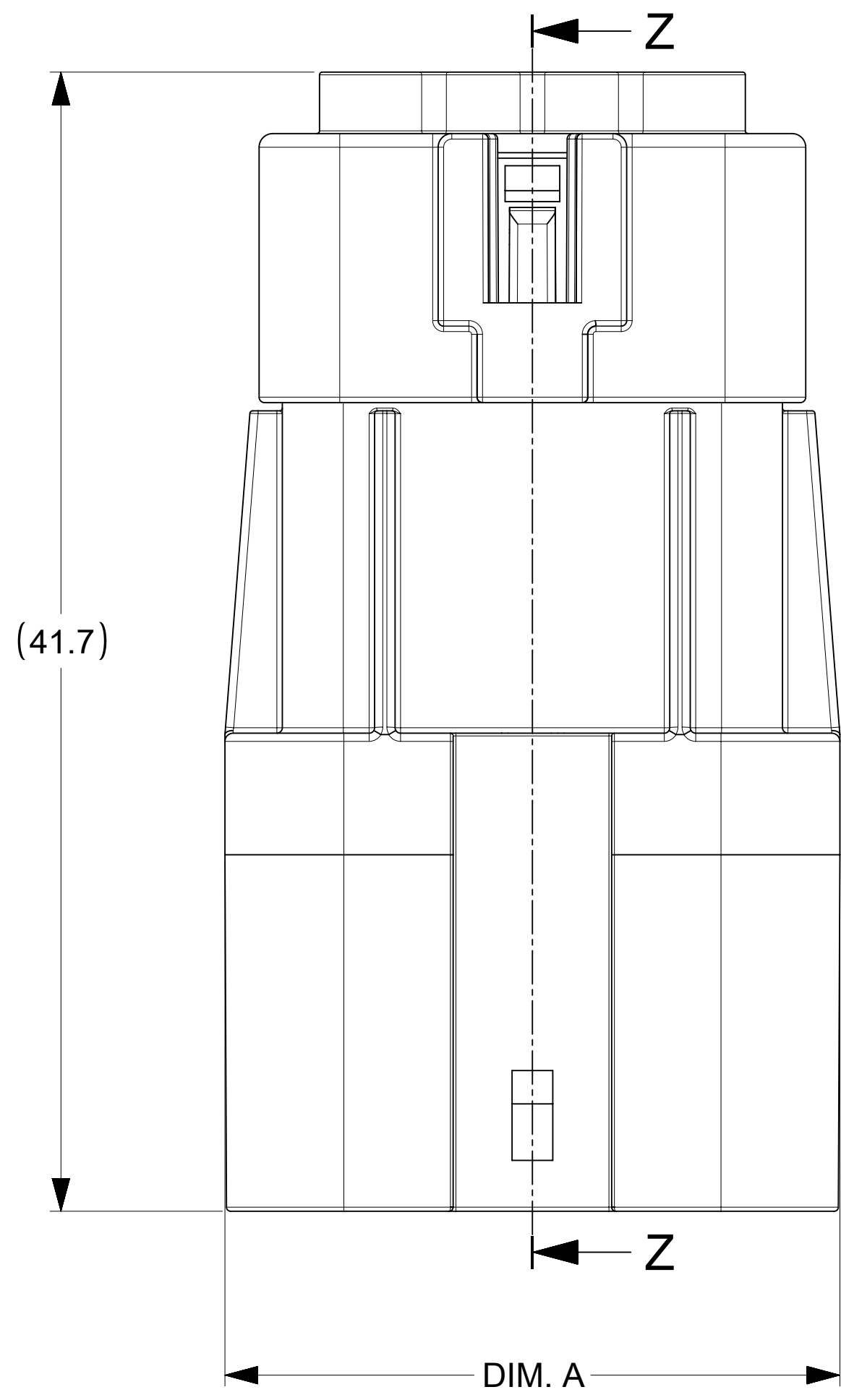
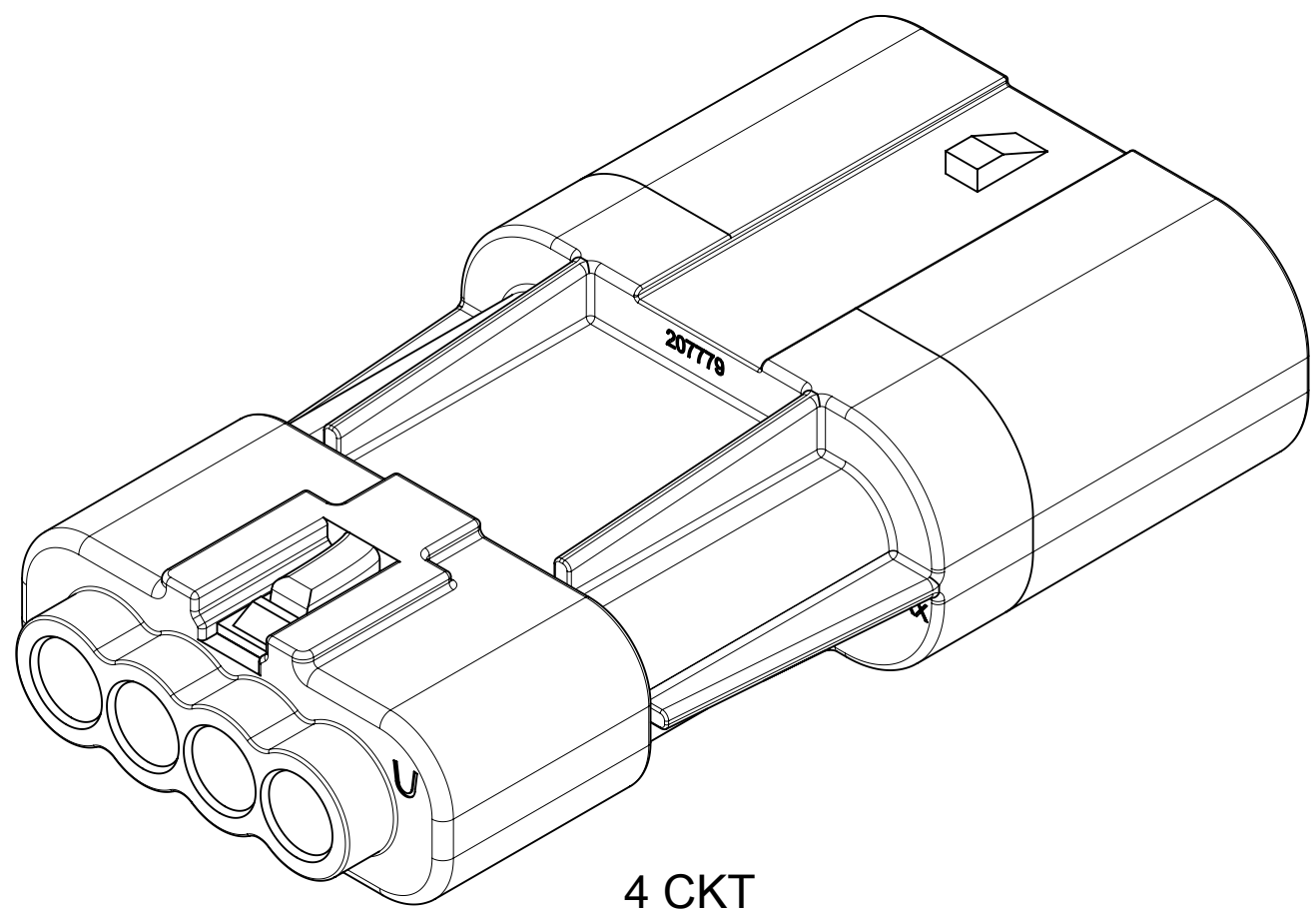
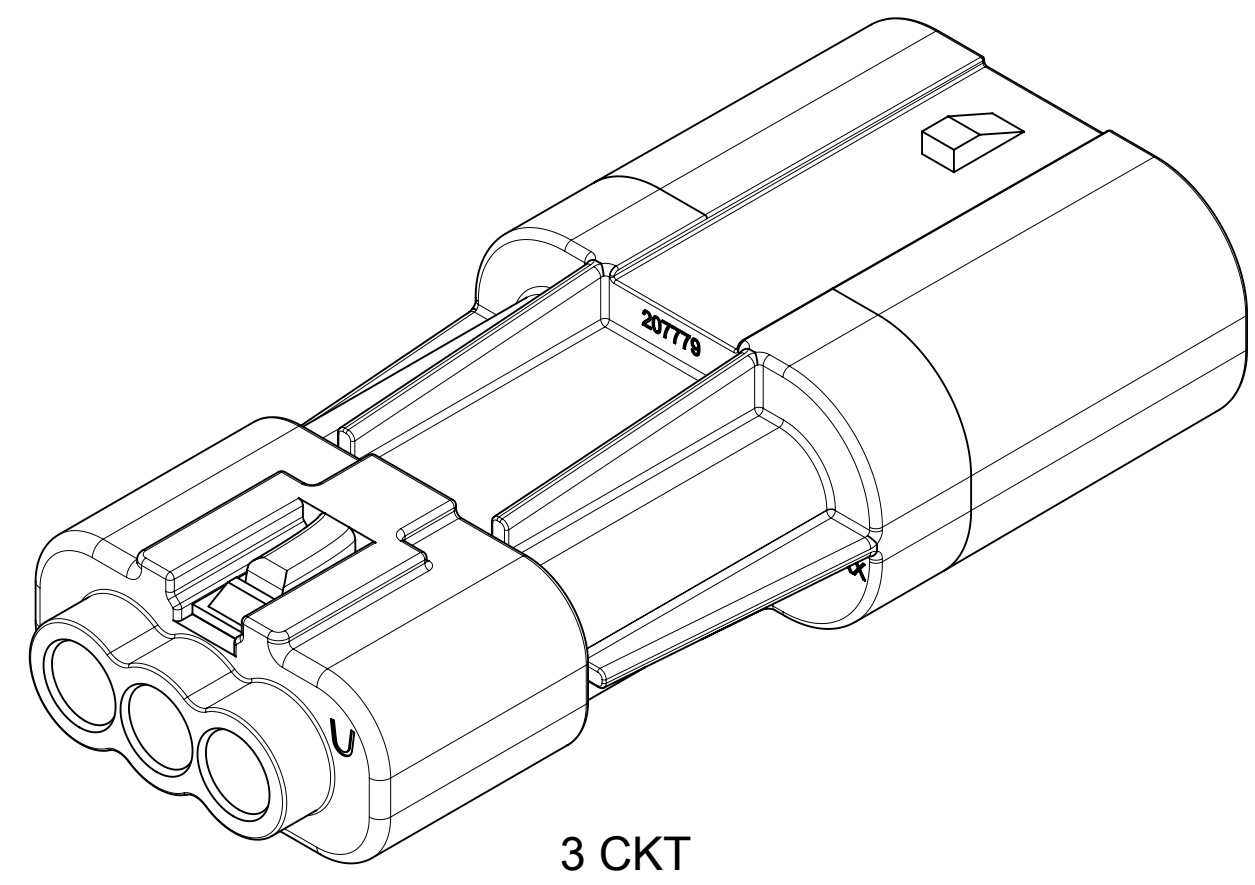
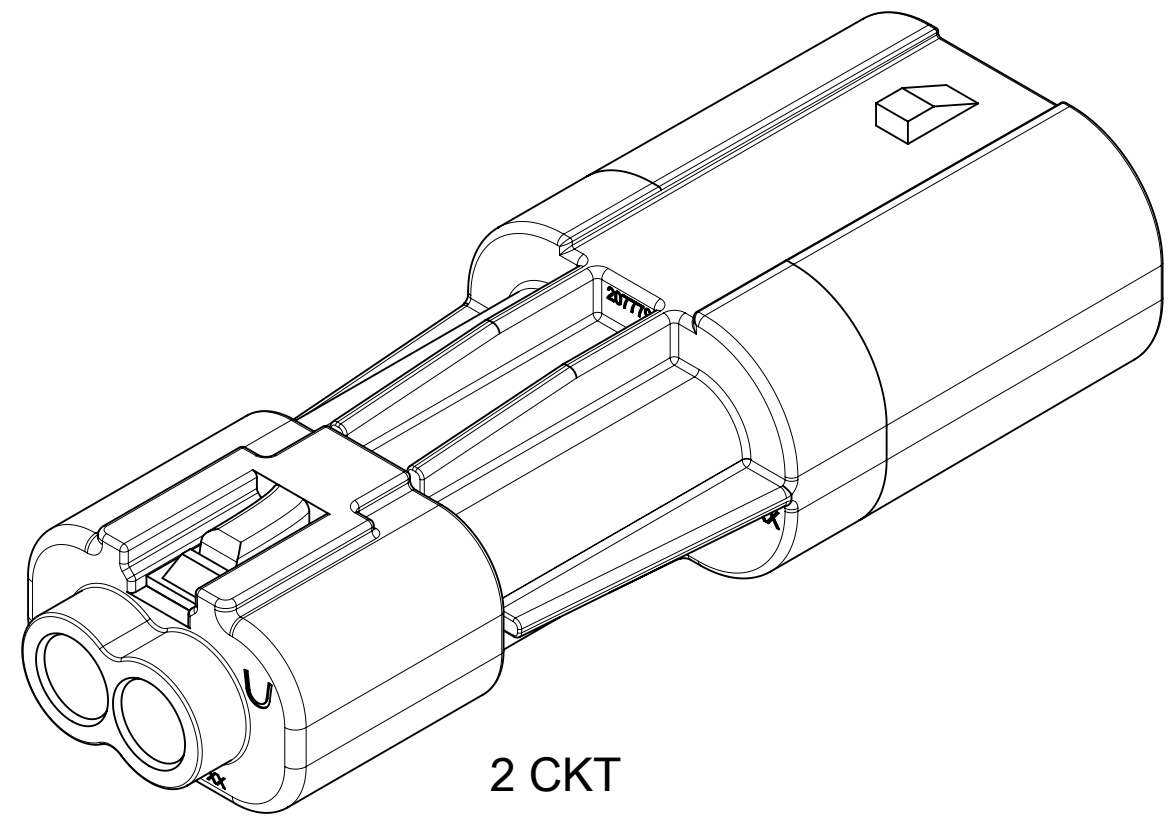
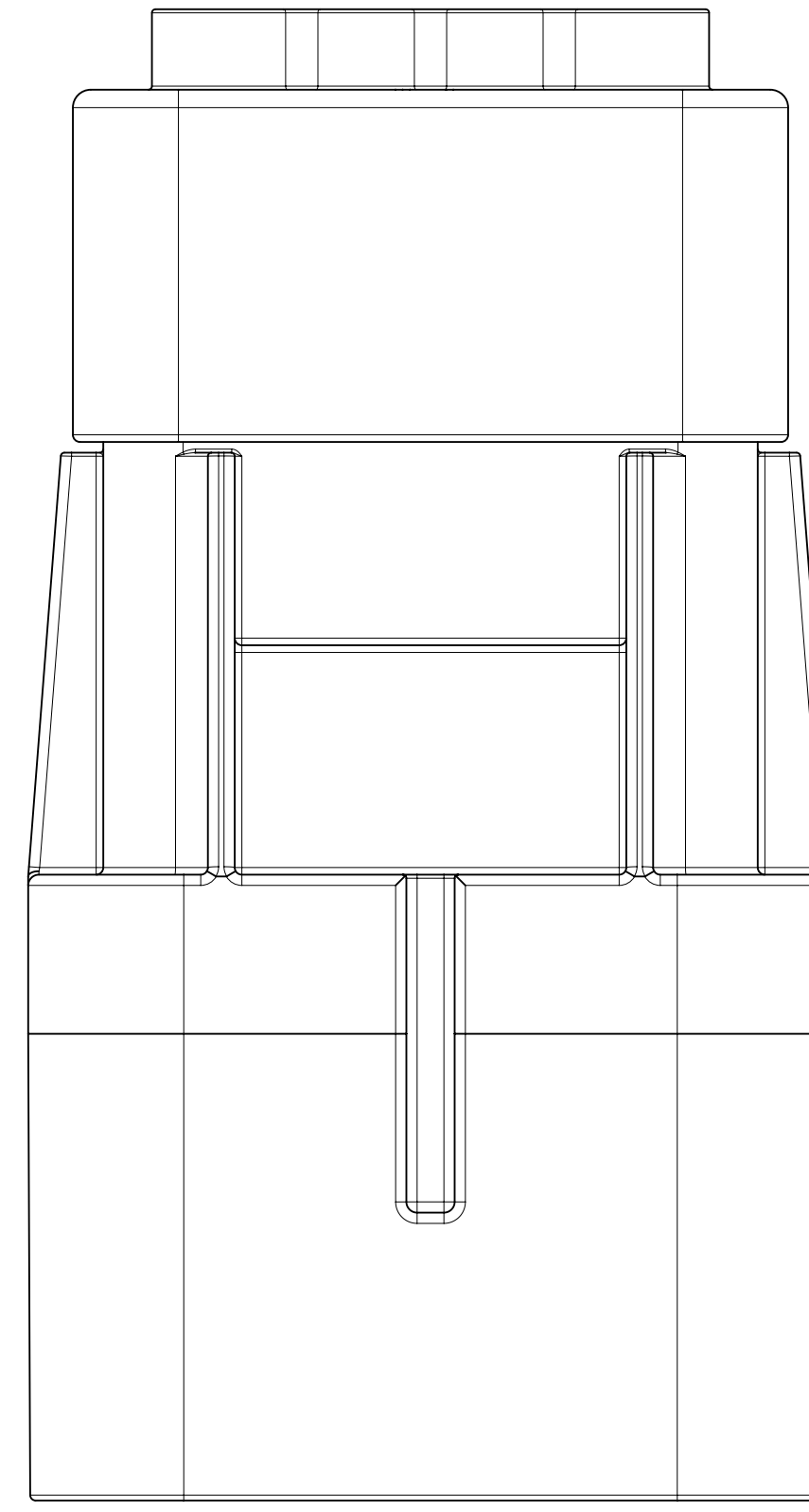


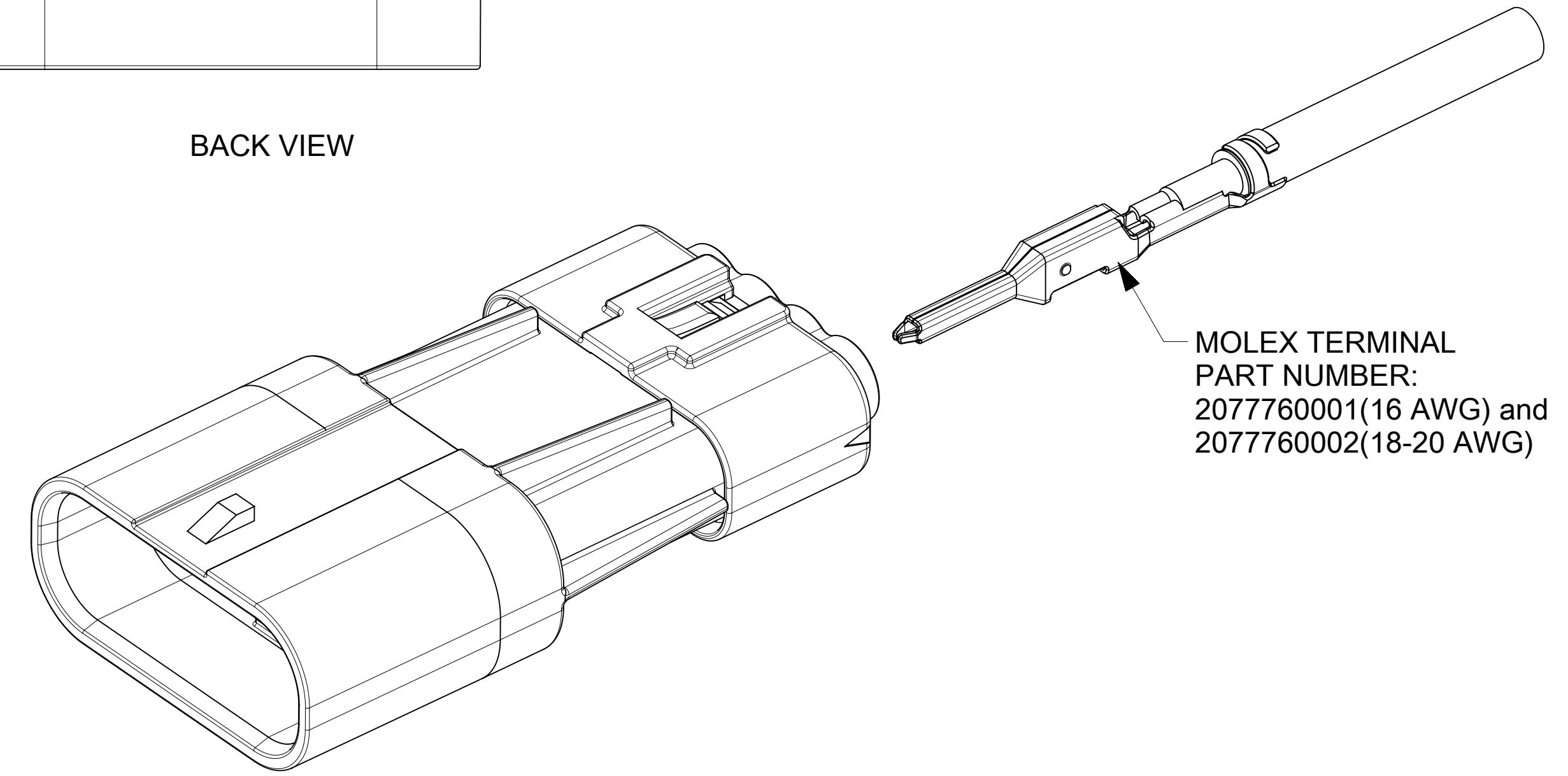
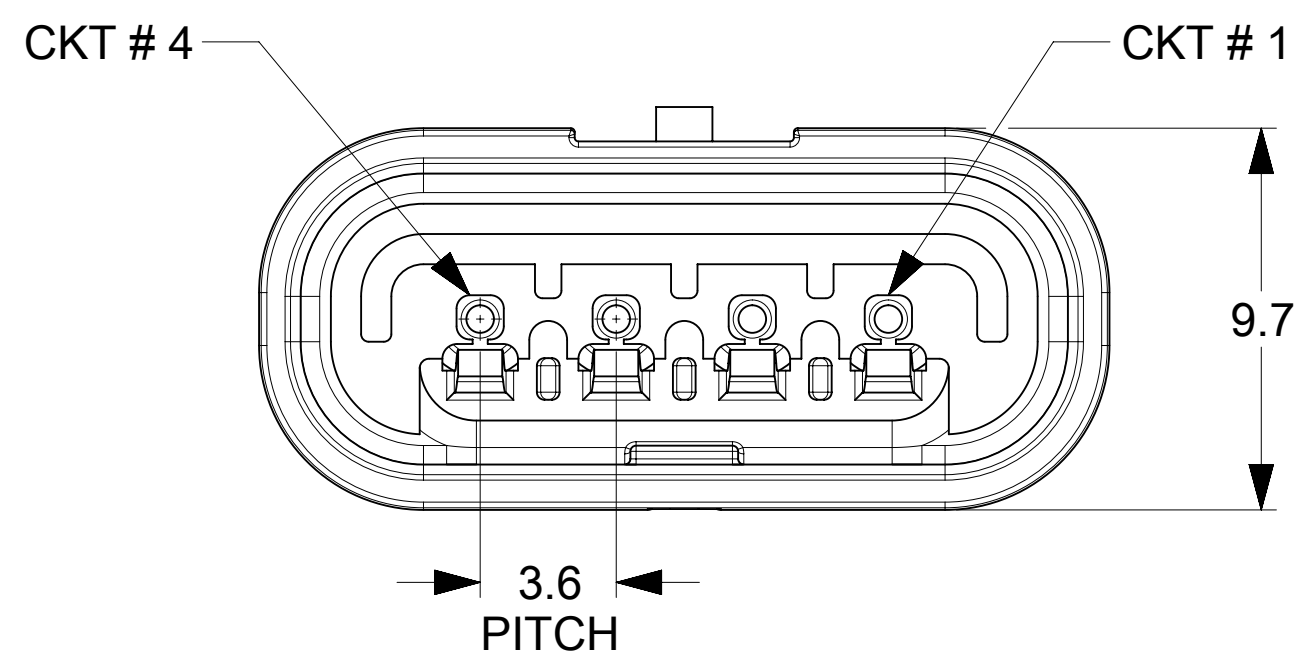
CIRCUIT SIZES  
SCALE 4:1



SECTION Z-Z



BACK VIEW



NOTES:

1. MATERIAL:  
HOUSING & PLUG SEAL CAP: NYLON, COLOR: BLACK  
SEALS: INHERENTLY LUBRICATED SILICON
2. PRODUCT SPECIFICATION: 2077760000-PS
3. APPLICATION SPECIFICATION: 2077760000-AS
4. PACKAGING SPECIFICATION: 2077780000-PK
5. THIS PART MATES WITH RECEPTACLE SERIES 207782
6. THIS PART USES TERMINAL SERIES 2077760001 AND 2077760002
7. THIS PART CONFORMS TO CLASS 'B' REQUIREMENTS OF COSMETIC SPECIFICATION PS-45499-002.

CKT SIZE	PART NUMBER	DIM. A
2	2077780002	15.3
3	2077780003	18.9
4	2077780004	22.5

THIS DRAWING CONTAINS INFORMATION THAT IS PROPRIETARY TO MOLEX ELECTRONIC TECHNOLOGIES, LLC AND SHOULD NOT BE USED WITHOUT WRITTEN PERMISSION

DIMENSION UNITS <b>mm</b>	SCALE <b>5:1</b>	CURRENT REV DESC: NEW RELEASE		<b>molex</b>			
GENERAL TOLERANCES (UNLESS SPECIFIED)		EC NO: 619695					
ANGULAR TOL	± °	DRWN: MUM	2019/01/30	PRODUCT CUSTOMER DRAWING			
4 PLACES	±	CHK'D: NCSR	2019/07/03	DOCUMENT NUMBER			
3 PLACES	±	APPR: NCSR	2019/07/03	2077780000-SD			
2 PLACES	±	INITIAL REVISION:		DOC TYPE	DOC PART	REVISION	
1 PLACE	± 0.3	DRWN: MUM	2019/01/30	PSD	000	A	
0 PLACES	±	APPR: NCSR	2019/07/03	MATERIAL NUMBER			
DRAFT WHERE APPLICABLE MUST REMAIN WITHIN DIMENSIONS		THIRD ANGLE PROJECTION	DRAWING	SERIES	CUSTOMER	SHEET NUMBER	
			<b>D-SIZE</b>	<b>207778</b>	GENERAL MARKET	<b>1 OF 1</b>	