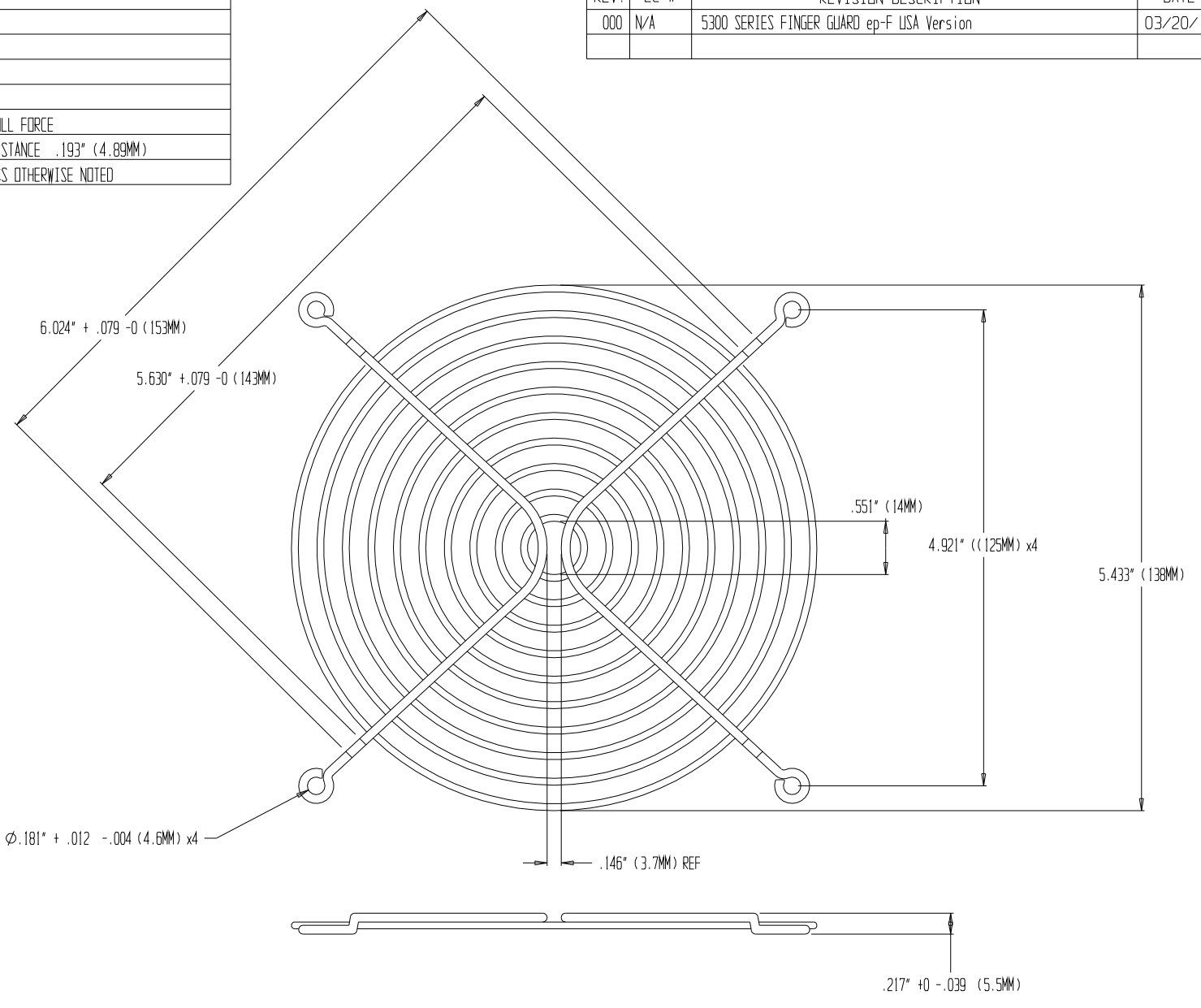


ebn-papst MFG. NOTES

1	MATERIAL: C1008 BRIGHT BASIC WIRE
2	FINISH: BRIGHT NICKEL CHROME
3	RINGS: .071" DIA. (1.8MM) X 10
4	RIBS: .091" DIA (2.3MM) X2
5	WELDED JOINTS TO WITHSTAND 88 LBS PULL FORCE
6	SPACING BETWEEN RINGS TO BE EQUAL DISTANCE .193" (4.89MM)
7	TOLERANCES ARE ± .020" (.5MM) UNLESS OTHERWISE NOTED

REV.	EC #	REVISION DESCRIPTION	DATE	D.ENG.	CHECKER
000	N/A	5300 SERIES FINGER GUARD ep-F USA Version	03/20/19	DTM	JPA



ebn-papst Inc. DISCLOSURE THIS DOCUMENT IS THE PROPERTY OF ebn-papst Inc. ITS USE IS AUTHORIZED BY ebn-papst Inc. ONLY. ALL QUESTIONS MUST BE REFERRED TO ebn-papst Inc. PERSONNEL: DESIGN ENG., MFG.ENG., AND / OR PURCHASING.		MATERIAL: SEE NOTES FINISH: SEE NOTES IF APPLICABLE PLACE SECOND FINISH AND DESCRIPTION HERE ALL INNER BEND RADIi = 1mm BOTTOM BEND UNLESS OTHERWISE STATED TOLERANCES, UNLESS OTHERWISE STATED:		BEND DEDUCTION N/A COSMETICS PER ebn-papst SPEC-Q-1 SEE CAD FOR DIMS. NOT SHOWN BREAK ALL SHARP EDGES ALL DIMENSIONS ARE IN INCHES		PART NO. LZ53-EPF TITLE 5300 SERIES F. GUARD ep-F USA FIRST USED ON LZ53-EPF					
CAUTION: ANY PRINTED COPY IS UNCONTROLLED AND TO BE USED FOR REFERENCE ONLY. REFER TO ebn-papst In. CAD SYS. FOR VERIFICATION. Form No. 1073 Rev. H		DECIMAL .XXX ± .020 TOLERANCE .XX ± .030		HOLES .XXX ± .003 ANGLES ± 1° REF		TOLERANCES FOR CNC FLAT .XXX EXCLUDING HOLE DIA. +/- .010			DESIGN ENG. DTM ORIG. DATE 03/20/19 E# N/A		REVISION 000 SHEET 1 OF 1