

NOTES:

1 MARKED WITH THE PART NUMBER, CAGE CODE AND DATE CODE.

PART NUMBER EXAMPLE: D369 - G 3 3 - N P 4

BASIC PART NUMBER
 SHELL STYLE (G=RECEPTACLE 90°)
 SHELL SIZE
 CONTACT QUANTITY (3=3 x #22, 6=6 x #22, 9=9 x #22)

CONTACT CONFIGURATION (4= 90° GOLD PLATED PCB TAIL)
 (5= 90° GOLD PLATED, TIN DIPPED PCB TAIL)
 CONTACT TYPE (P=PIN, S=SKT)
 SHELL KEYING

2 PERFORMANCE:

TEMPERATURE RANGE	-55°C TO +175°C
DIELECTRIC WITHSTAND VOLTAGE (AT SEA LEVEL)	1500VRMS <2mA LEAKAGE
DURABILITY	500 MATING CYCLES MIN.
INSULATION RESISTANCE	≥5000 MΩ INITIAL
IP RATING	IP67
SEALING	RTCA DO160 - CATEGORY A4 (15,000ft)
HUMIDITY	RTCA DO160 - CATEGORY A

3 MATERIALS:

COMPONENT	MATERIAL (FINISH: CLEAN IN ALL CASES)
SEALS	SILICONE / FLUOROSILICONE BLEND RUBBER
BODY / INSERT COMPONENTS	THERMOPLASTIC
SOLDER BRACKET	COPPER ALLOY, NICKEL PLATED
CONTACTS	COPPER ALLOY, SEE NOTE 1 FOR FINISH

4. THESE CONNECTORS ARE ROHS COMPLIANT

5. MAXIMUM WEIGHTS:
 3 WAY - 2.2g (PIN INSERT), 2.4g (SOCKET INSERT),
 6 WAY - 3.5g (PIN INSERT), 3.6g (SOCKET INSERT),
 9 WAY - 5.0g (PIN INSERT), 5.1g (SOCKET INSERT).

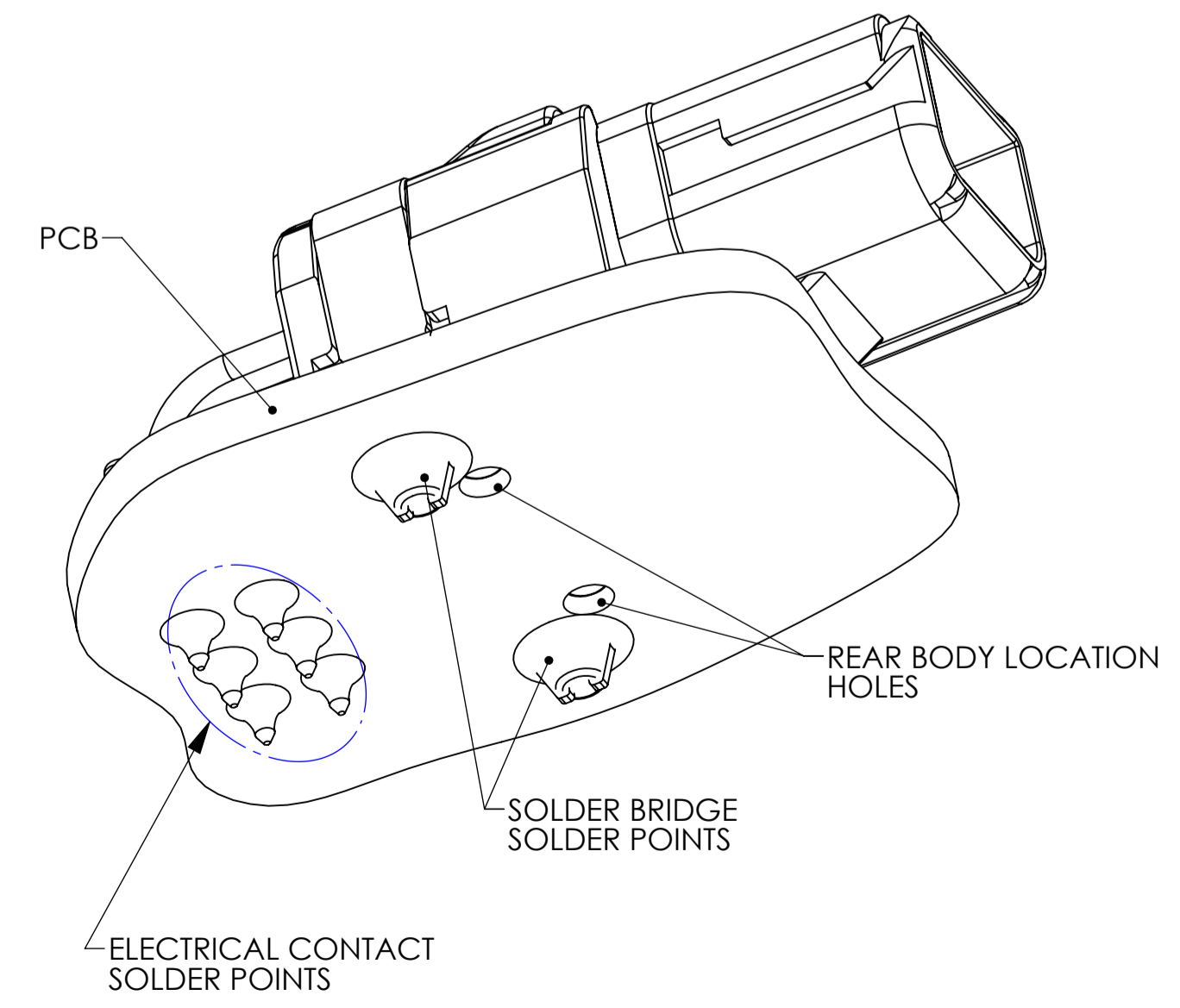
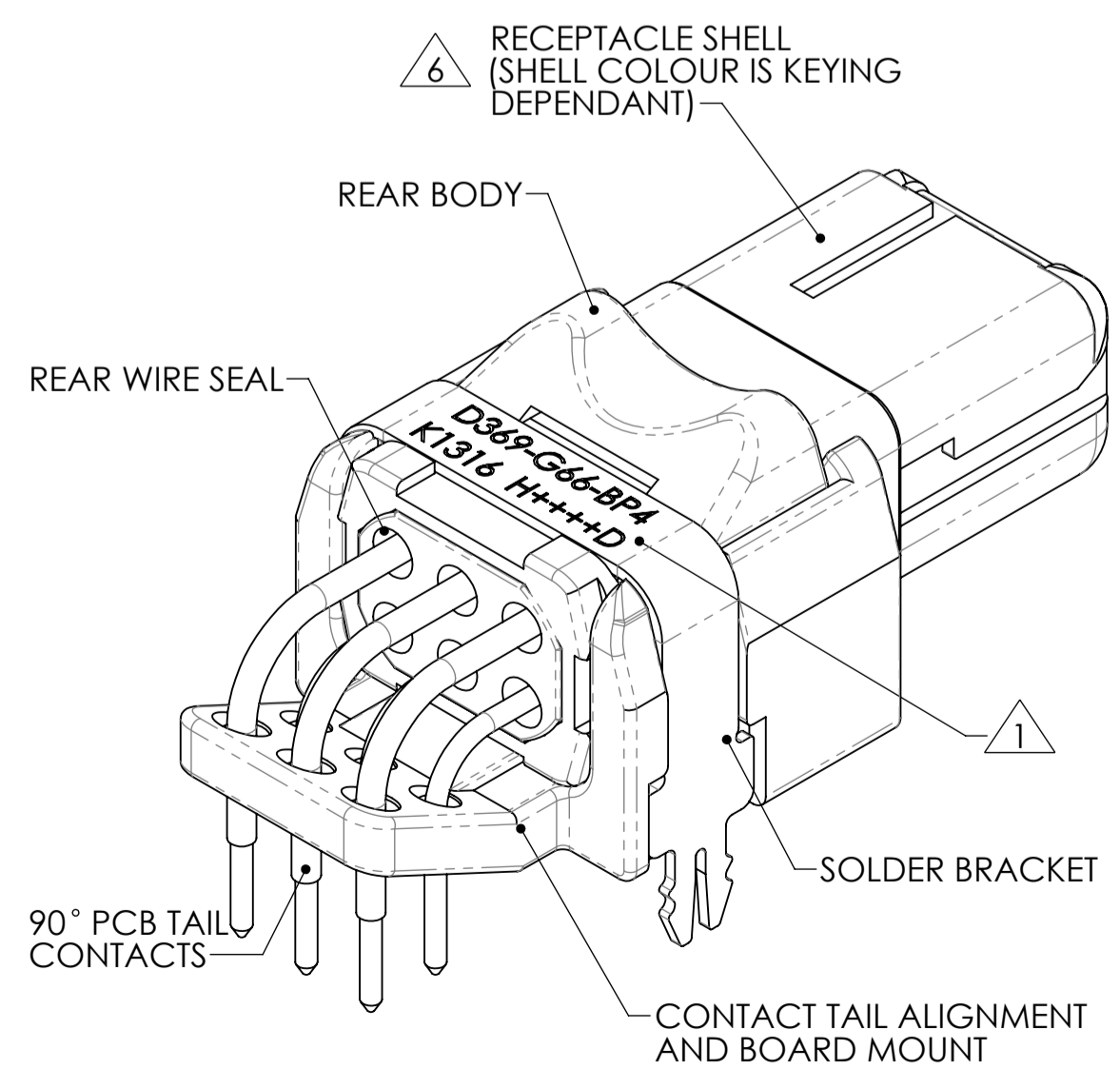
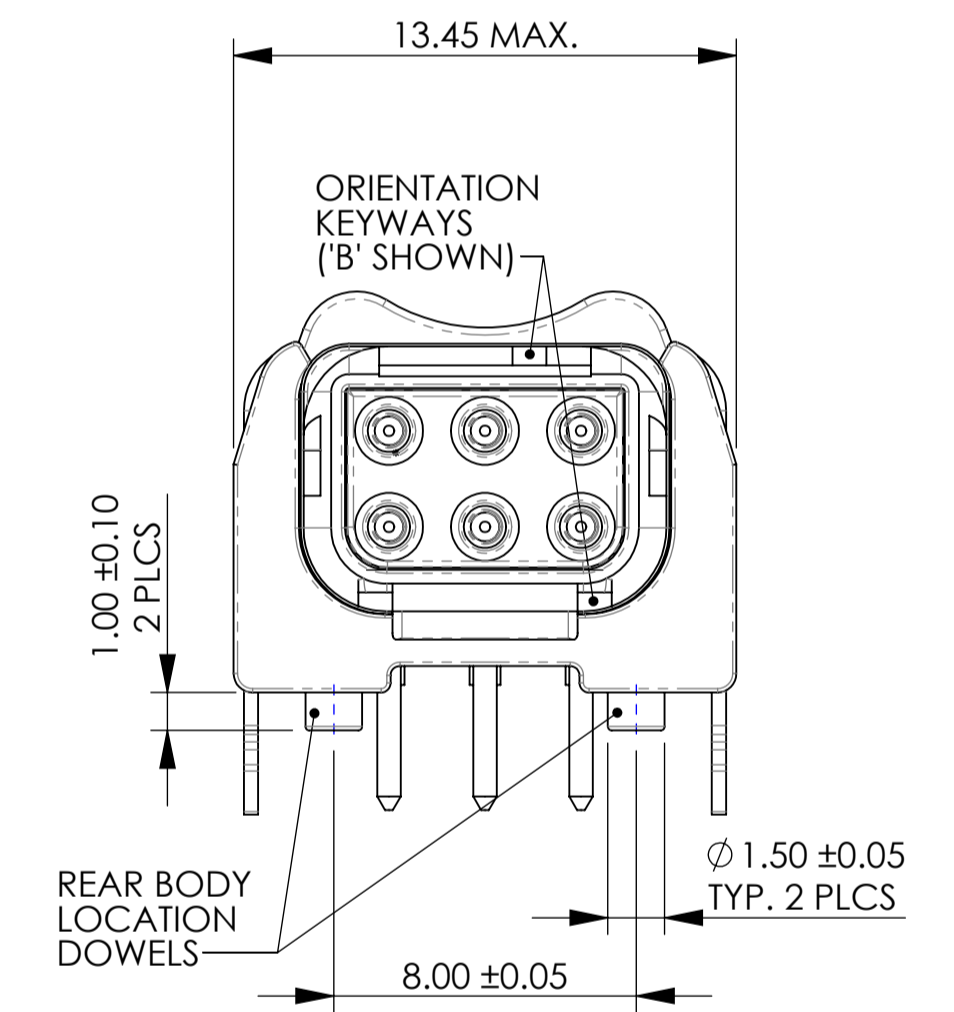
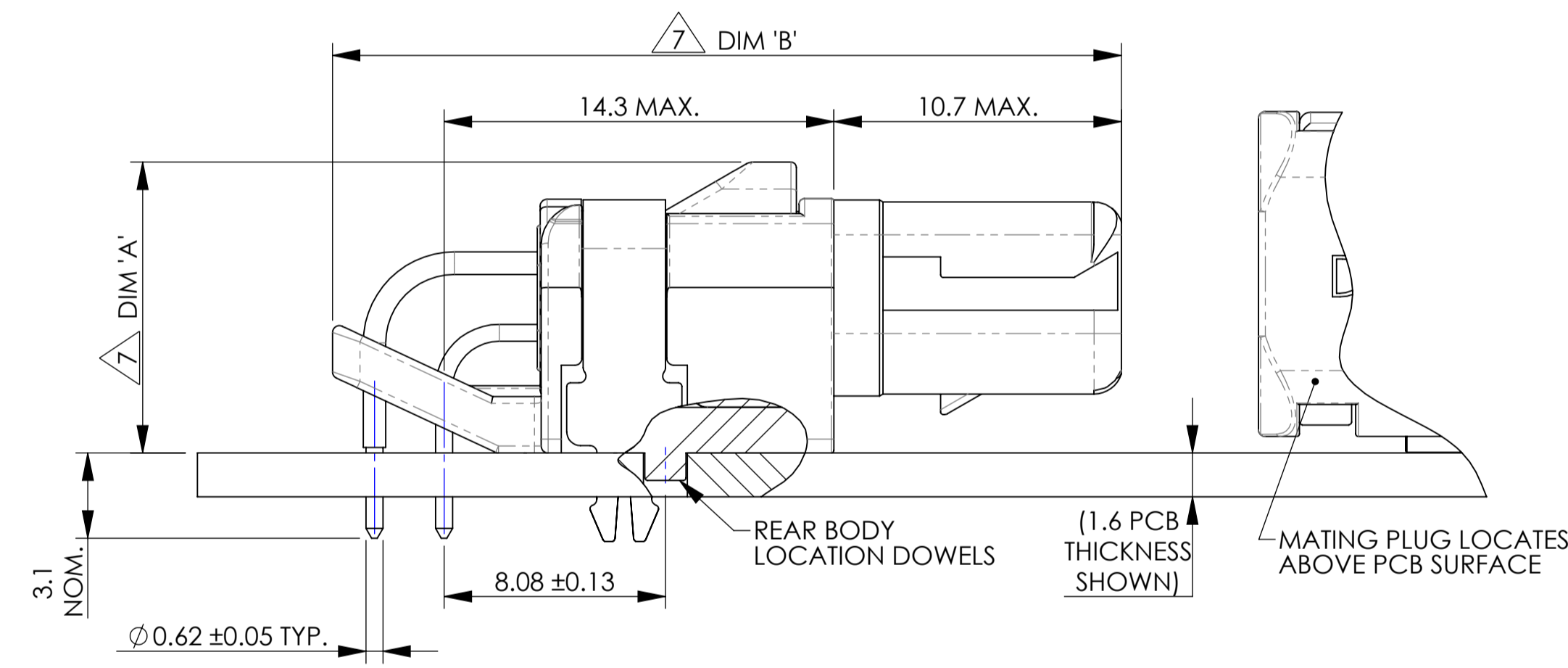
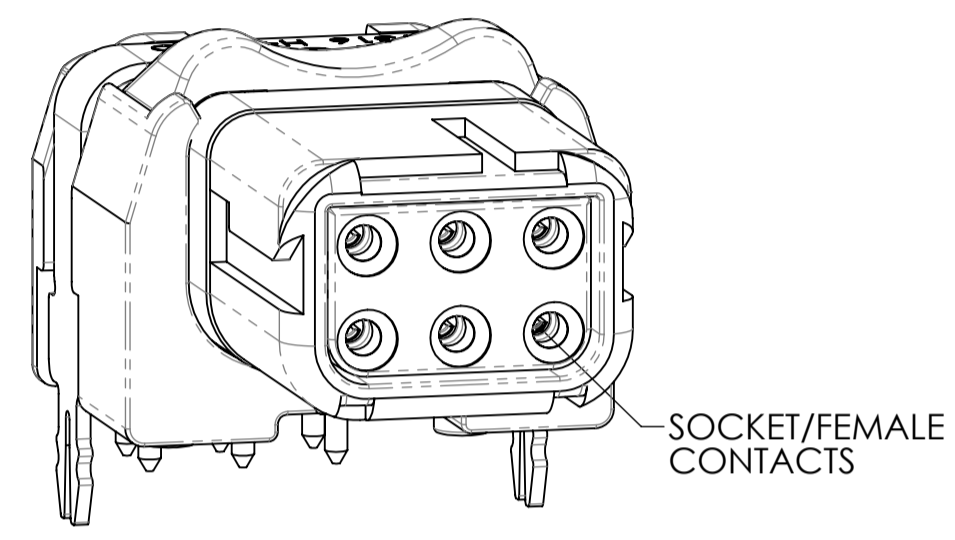
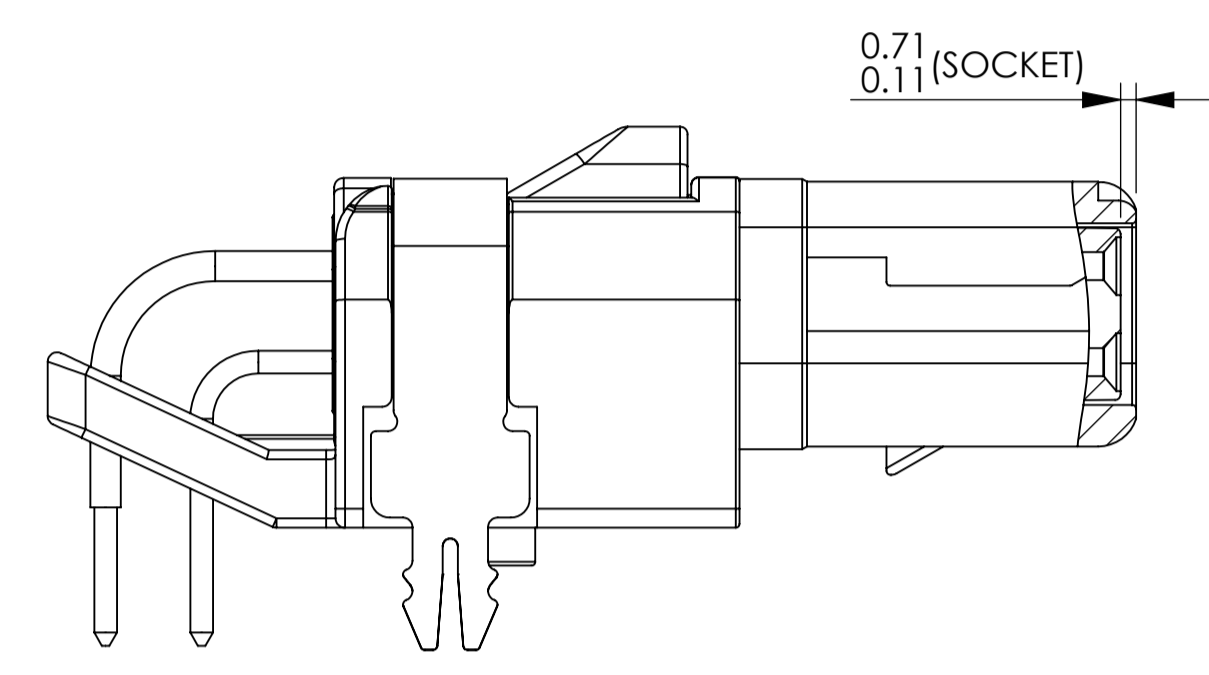
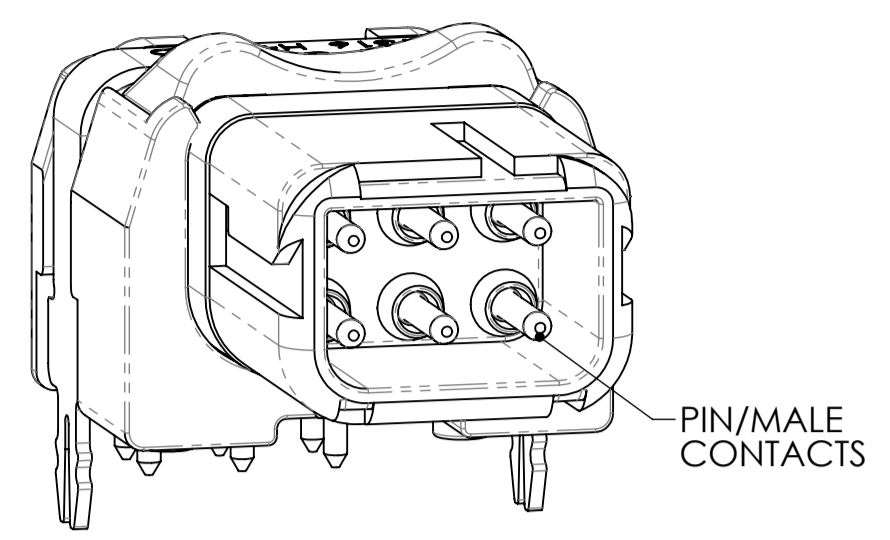
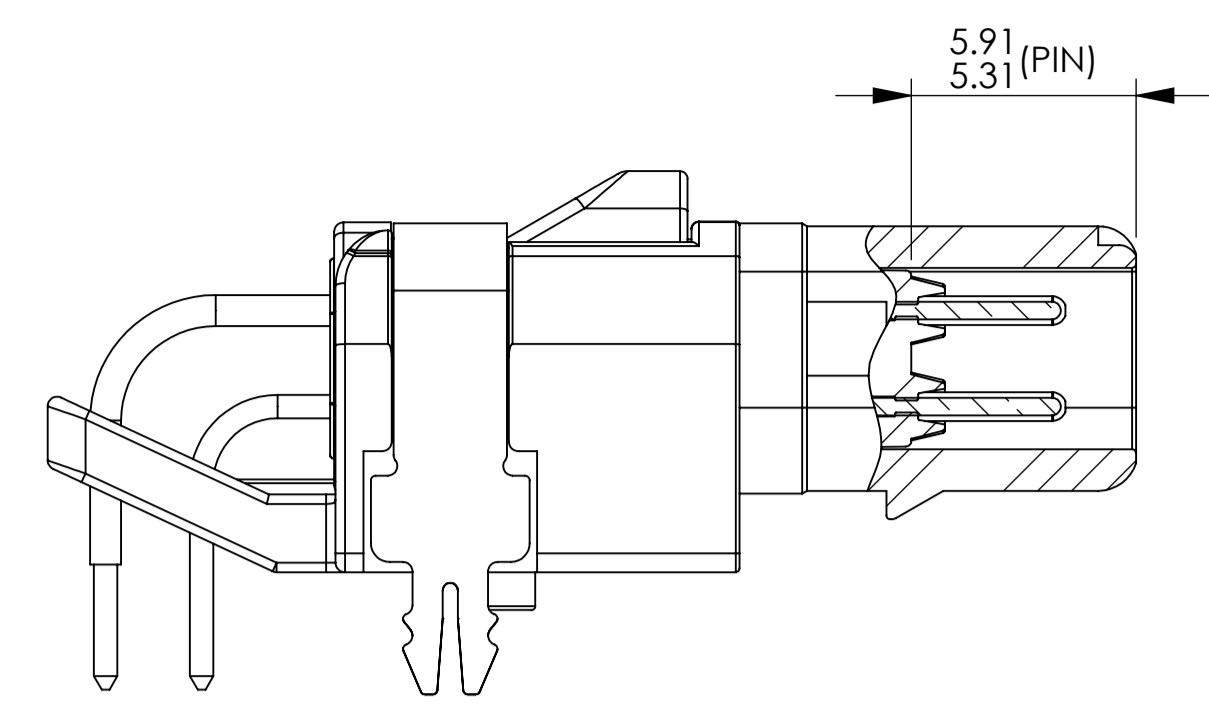
6 SHELL KEYING:

SHELL KEYING (ALL SIZES)	
ORIENTATION	COLOUR
N	BLACK
A	DARK RED
B	DARK BLUE
C	DARK GREEN
D	YELLOW

7 DIMENSIONS:

SHELL SIZE	DIM 'A' MAX.	DIM 'B' MAX.
3	8.4	26.6
6	10.9	29.1
9	13.4	31.6

8. 6 WAY CONNECTOR SHOWN IN ALL VIEWS ON SHEET 1 FOR ILLUSTRATIVE PURPOSES.



IF IN DOUBT, ASK

BS8888 THIRD ANGLE PROJECTION	MATERIAL: SEE NOTES	FINISH:	 DEUTSCH
UNLESS OTHERWISE STATED: DIMENSIONS: mm [INCHES]	TITLE: 369 PCB MOUNT RECEPTACLE, ENVELOPE	TYPE: CUSTOMER DRAWING	
IF IN DOUBT, ASK	SIZE: A1	SCALE: 5:1	DRAWING NUMBER: 611671-ENV
			SHEET: 1 OF 2
			ISSUE: AB

THIS INFORMATION IS CONFIDENTIAL AND PROPRIETARY TO TYCO ELECTRONICS CORPORATION AND ITS WORLDWIDE SUBSIDIARIES AND AFFILIATES (TE). IT MAY NOT BE DISCLOSED TO ANYONE OTHER THAN THE PERSONNEL WITH AUTHORIZATION FROM TE (www.teccotti).

AB	DUK70477	JOB	KSC	RJM	CEO	29/05/2019
ISSUE	CHANGE NOTE	DRAWN	CHECKED	APP. ENG.	APP. MARKETING	DATE

PCB HOLE LAYOUT DETAIL

3 WAY CONNECTOR

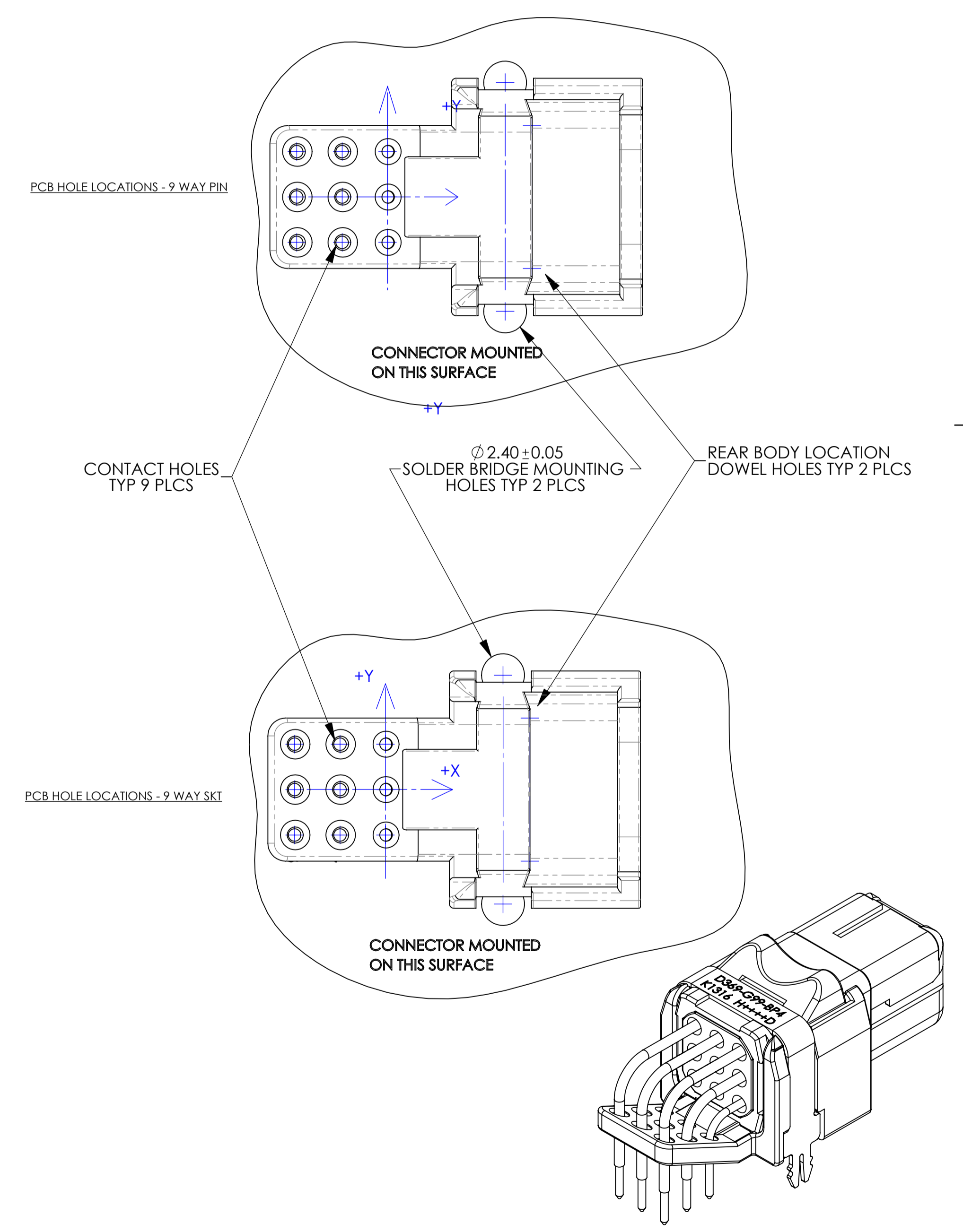
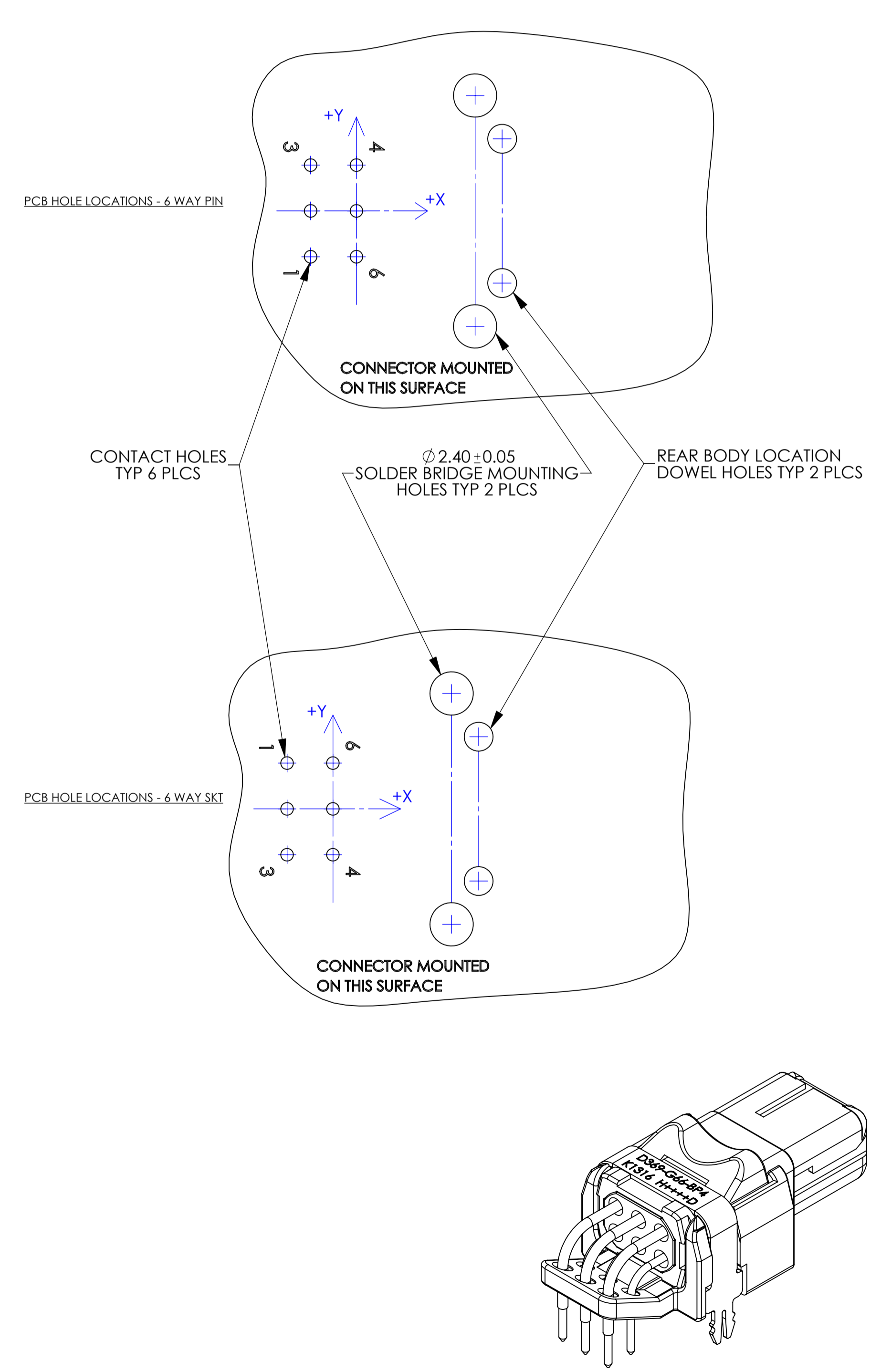
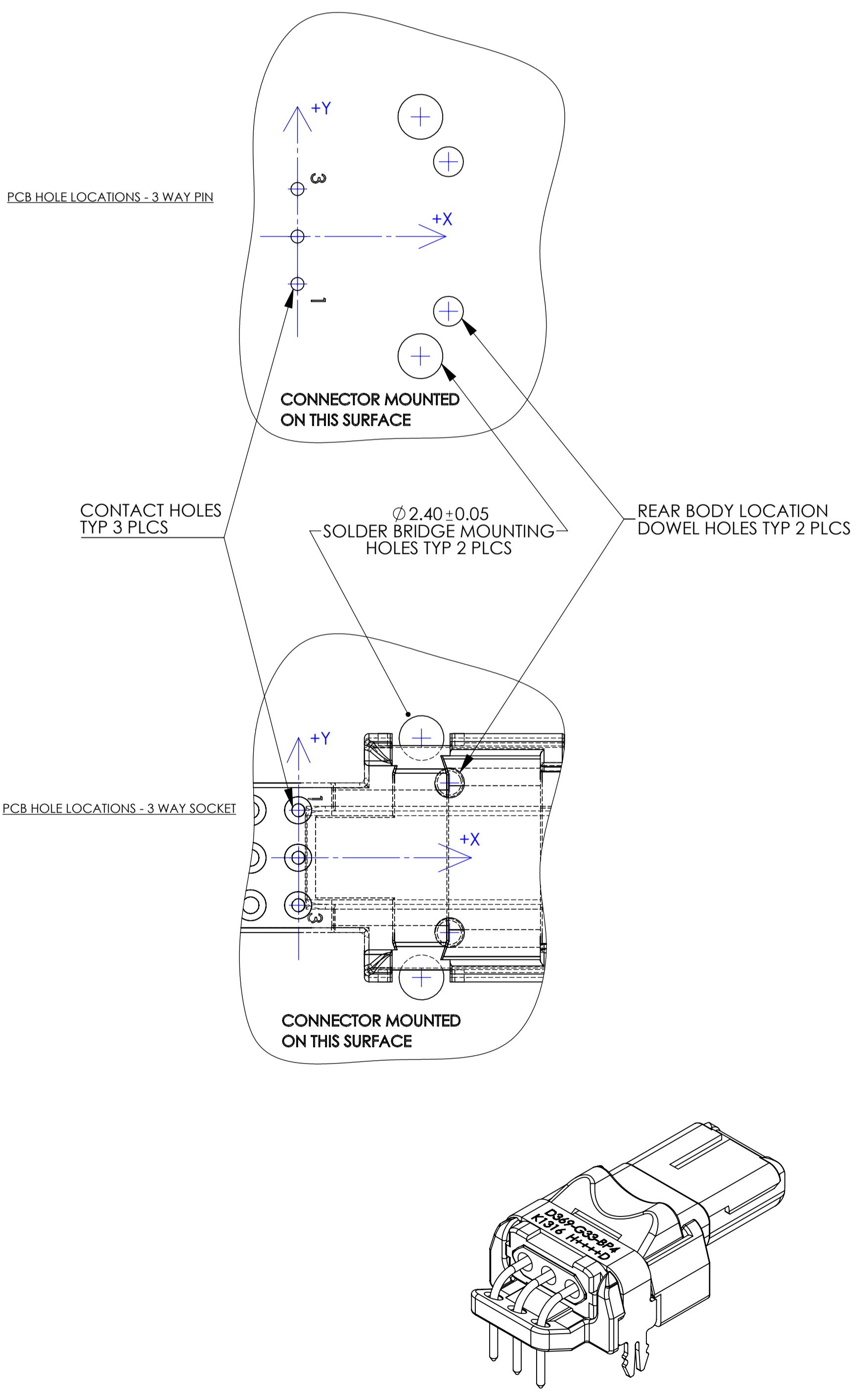
HOLE TYPE	HOLE TABLE CO-ORDINATES (mm)				HOLE POSITION TOLERANCE
	PIN		SOCKET		
	X AXIS	Y AXIS	X AXIS	Y AXIS	
SOLDER BRIDGE MOUNTING HOLES	+6.58	+6.40	+6.58	+6.40	∅ 0.10
	+6.58	-6.40	+6.58	-6.40	
REAR BODY LOCATION HOLES	+8.08 REF	+4.00 REF	+8.08 REF	+4.00 REF	HOLE DIAMETERS AND TOLERANCES AND HOLE POSITION TOLERANCES TO SUIT CUSTOMER PCB DESIGN GUIDELINES
	+8.08 REF	-4.00 REF	+8.08 REF	-4.00 REF	
CONTACT TAIL HOLES	LOCATION	-	-	-	
	1	0	-2.54	0	+2.54
	2	0	0	0	0
	3	0	+2.54	0	-2.54

6 WAY CONNECTOR

HOLE TYPE	HOLE TABLE CO-ORDINATES (mm)				HOLE POSITION TOLERANCE
	PIN		SOCKET		
	'X'	'Y'	'X'	'Y'	
SOLDER BRIDGE MOUNTING HOLES	+6.58	+6.40	+6.58	+6.40	∅ 0.10
	+6.58	-6.40	+6.58	-6.40	
REAR BODY LOCATION HOLES	+8.08 REF	+4.00 REF	+8.08 REF	+4.00 REF	HOLE DIAMETERS AND TOLERANCES AND HOLE POSITION TOLERANCES TO SUIT CUSTOMER PCB DESIGN GUIDELINES
	+8.08 REF	-4.00 REF	+8.08 REF	-4.00 REF	
CONTACT TAIL HOLES	LOCATION	-	-	-	
	1	-2.54	-2.54	-2.54	+2.54
	2	-2.54	0	-2.54	0
	3	-2.54	+2.54	-2.54	-2.54
	4	0	+2.54	0	-2.54
	5	0	0	0	0
	6	0	-2.54	0	+2.54

9 WAY CONNECTOR

HOLE TYPE	HOLE TABLE CO-ORDINATES (mm)				HOLE POSITION TOLERANCE
	PIN		SOCKET		
	'X'	'Y'	'X'	'Y'	
SOLDER BRIDGE MOUNTING HOLES	+6.58	+6.40	+6.58	+6.40	∅ 0.10
	+6.58	-6.40	+6.58	-6.40	
REAR BODY LOCATION HOLES	+8.08 REF	+4.00 REF	+8.08 REF	+4.00 REF	HOLE DIAMETERS AND TOLERANCES AND HOLE POSITION TOLERANCES TO SUIT CUSTOMER PCB DESIGN GUIDELINES
	+8.08 REF	-4.00 REF	+8.08 REF	-4.00 REF	
CONTACT TAIL HOLES	LOCATION	-	-	-	
	1	-5.08	-2.54	-5.08	+2.54
	2	-5.08	0	-5.08	0
	3	-5.08	+2.54	-5.08	-2.54
	4	-2.54	+2.54	-2.54	-2.54
	5	-2.54	0	-2.54	0
	6	-2.54	-2.54	-2.54	+2.54
	7	0	-2.54	0	+2.54
	8	0	0	0	0
9	0	+2.54	0	-2.54	



BS8888 THIRD ANGLE PROJECTION	MATERIAL: SEE NOTES	FINISH:	 DEUTSCH	
UNLESS OTHERWISE STATED: DIMENSIONS: mm [INCHES]	TITLE: 369 PCB MOUNT RECEPTACLE, ENVELOPE TYPE: CUSTOMER DRAWING			TE CONNECTIVITY UK LTD., ST. LEONARDS-ON-SEA, TN38 9RF, UK
IF IN DOUBT, ASK	SIZE: A1	SCALE: 5:1		DRAWING NUMBER: 611671-ENV
			SHEET: 2 OF 2 ISSUE: AB	