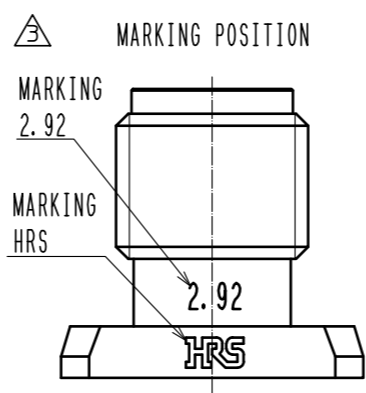
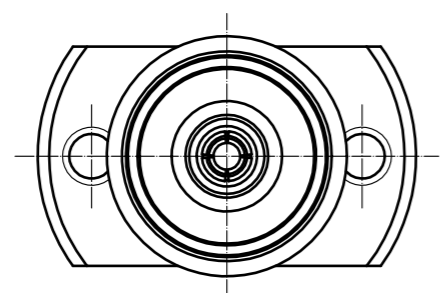
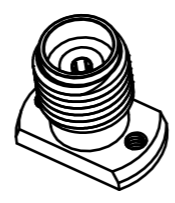
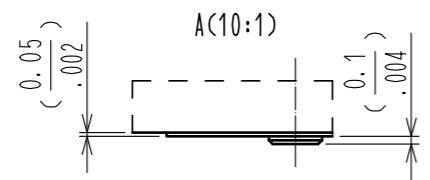
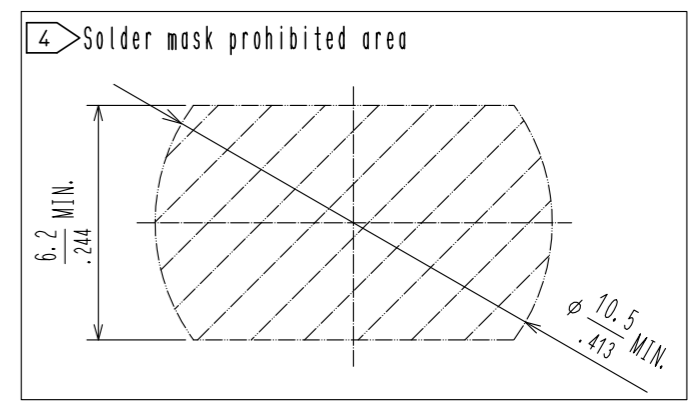
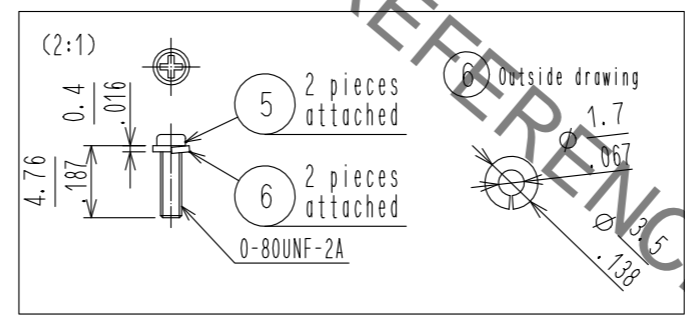
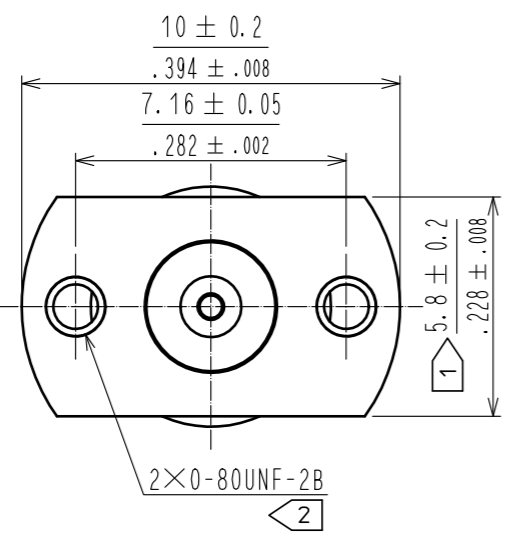
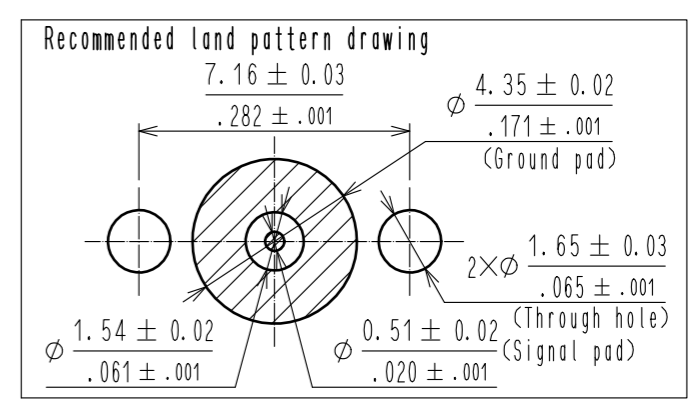
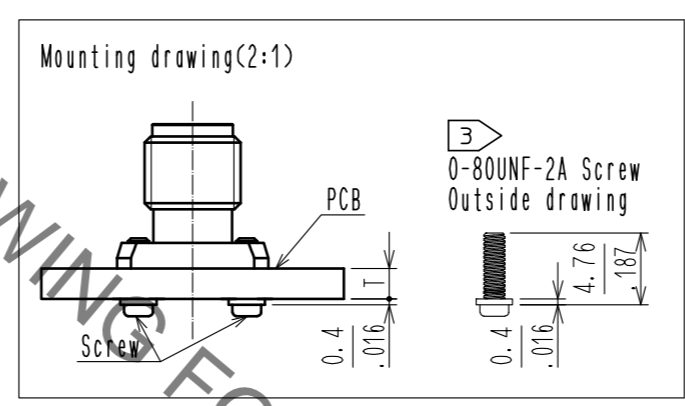
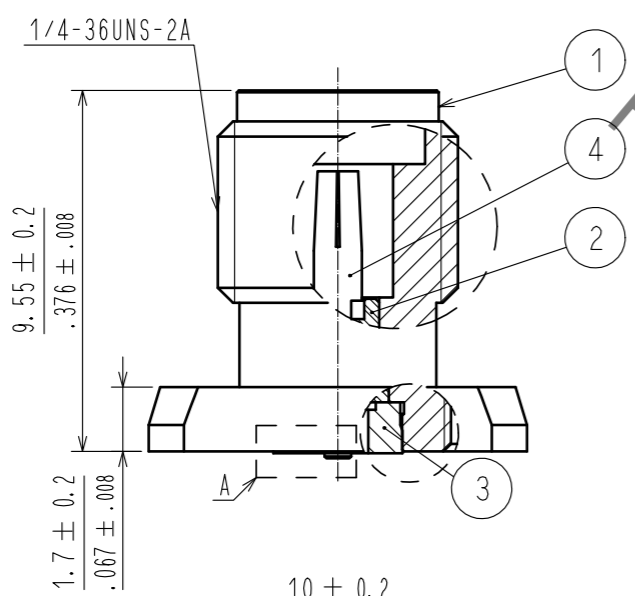


Aug.1.2019 Copyright 2019 HIROSE ELECTRIC CO., LTD. All Rights Reserved.
In case of consideration for using Automotive equipment / device which demand high reliability, kindly contact our sales window correspondents.



- 1 When mating the connector, please hold milling area of 5.8 ± 0.2 with spanner not to place stress on PCB by the torque.
- 2 0-80UNF-2B Screw tightening torque is 0.09N·m. Please tighten the screws evenly when mounting the connectors to ensure stable electrical contact.
- 3 Please use attached screw and washer for PCB mounting. Attached screw and washer apply PCB thickness $T=0.8$ to 2.65mm.
- 4 Indicates the area that solder mask is prohibited.
5. This connector should be use for test port only.



3	STAINLESS STEEL	GOLD PLATING	6	STAINLESS STEEL	Spring washer
2	PTFE		5	STEEL	0-80UNF-2A Screw
1	STAINLESS STEEL	PASSIVATE	4	BERYLLIUM COPPER	GOLD PLATING
NO.	MATERIAL	FINISH . REMARKS	NO.	MATERIAL	FINISH . REMARKS
UNITS mm		SCALE 5 : 1	COUNT 1	DESCRIPTION OF REVISIONS DIS-D-00003015	DESIGNED AH. MARUYAMA
APPROVED : KY. SHIMIZU 16.08.30			CHECKED TS. NOBE		
CHECKED : TO. KATAYAMA 16.08.30			DATE 18.03.24		
DESIGNED : TP. MATSUMOTO 16.08.29			DRAWING NO. EDC-366760-12-01		
DRAWN : TP. MATSUMOTO 16.08.29			PART NO. HK-R-SR2-1(12)		
			CODE NO. CL338-0003-0-12		