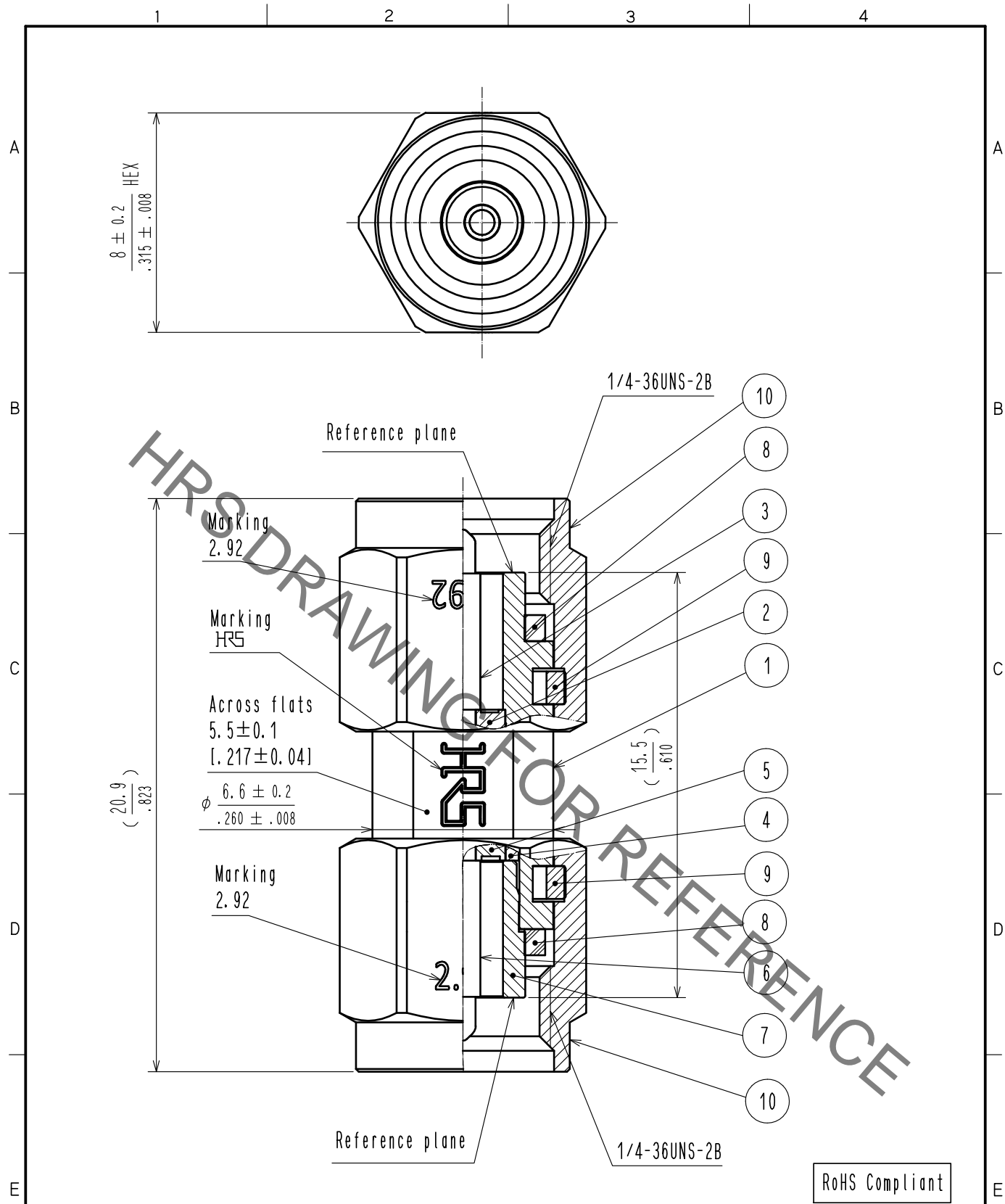


Sep.1.2019 Copyright 2019 HIROSE ELECTRIC CO., LTD. All Rights Reserved.
In case of consideration for using Automotive equipment / device which demand high reliability, kindly contact our sales window correspondents.



RoHS Compliant

5	PPO		10	Stainless steel	Passivate
4	Stainless steel	Gold plated	9	Beryllium copper	Nickel plated
3	Beryllium copper	Gold plated	8	Silicone rubber	(Red)
2	PTFE		7	Stainless steel	Gold plated
1	Stainless steel	Passivate	6	Phosphor bronze	Gold plated
NO.	MATERIAL	FINISH . REMARKS	NO.	MATERIAL	FINISH . REMARKS

UNITS mm		SCALE 5 : 1	COUNT 	DESCRIPTION OF REVISIONS	DESIGNED	CHECKED	DATE
HIROSE ELECTRIC CO., LTD.		APPROVED : KY. SHIMIZU 17.03.15	DRAWING NO. EDC-374783-00-00				
		CHECKED : KY. SHIMIZU 17.03.15	PART NO. HK-A-PP				
		DESIGNED : TY. OZAKI 17.03.15	CODE NO. CL338-0099-0-00				
		DRAWN : TY. OZAKI 17.03.15					