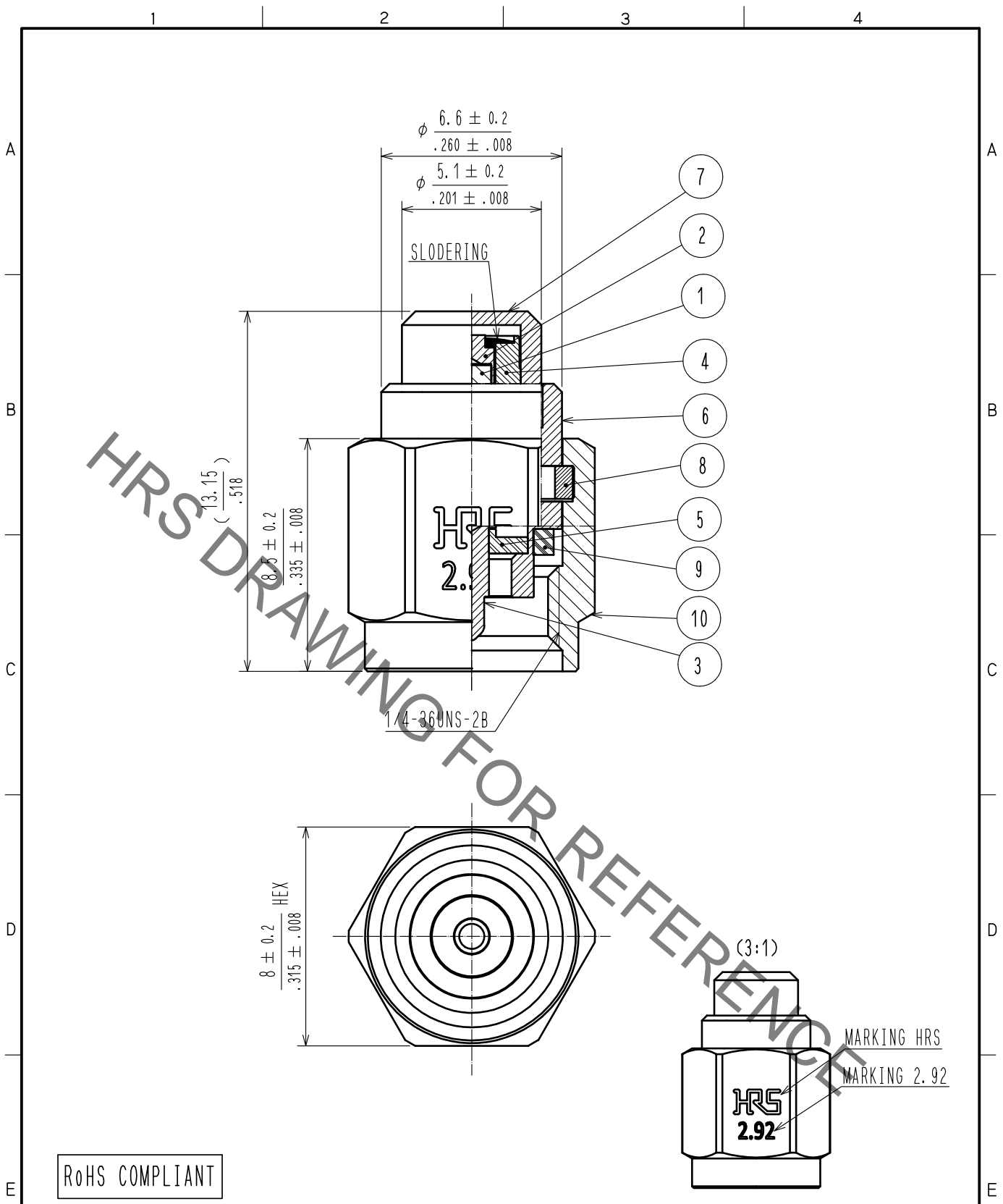


Sep.1.2019 Copyright 2019 HIROSE ELECTRIC CO., LTD. All Rights Reserved.
 In case of consideration for using Automotive equipment / device which demand high reliability, kindly contact our sales window correspondents.



5	PTFE		10	STAINLESS STEEL	PASSIVATE
4	BRASS	GOLD PLATING	9	SILICONE RUBBER	
3	BRASS	GOLD PLATING	8	BERYLLIUM COPPER	NICKEL PLATING
2	BRASS	GOLD PLATING	7	BRASS	NICKEL PLATING
1	RESISTANCE	50Ω	6	STAINLESS STEEL	PASSIVATE
NO.	MATERIAL	FINISH . REMARKS	NO.	MATERIAL	FINISH . REMARKS

UNITS mm		SCALE 5 : 1	COUNT 	DESCRIPTION OF REVISIONS	DESIGNED	CHECKED	DATE
HIROSE ELECTRIC CO., LTD.		APPROVED : KH. IKEDA	17.08.04	DRAWING NO.	EDC-374634-00-00		
		CHECKED : TS. NOBE	17.08.04	PART NO.	HK-TMP		
		DESIGNED : AH. MARUYAMA	17.08.04	CODE NO.	CL353-0014-0-00		
		DRAWN : AH. MARUYAMA	17.08.04		1/1		