

NOTES:

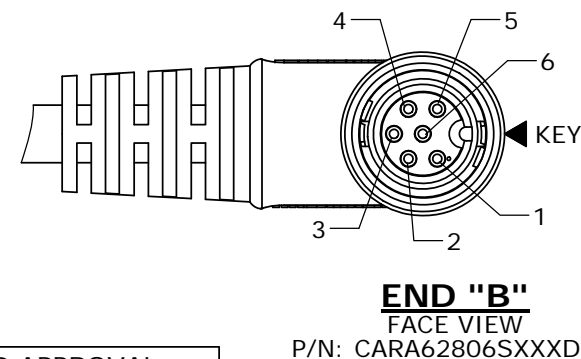
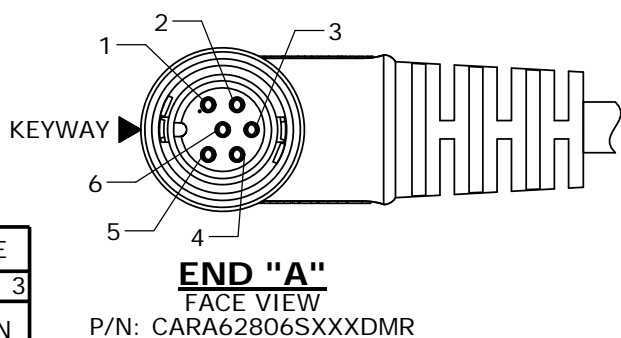
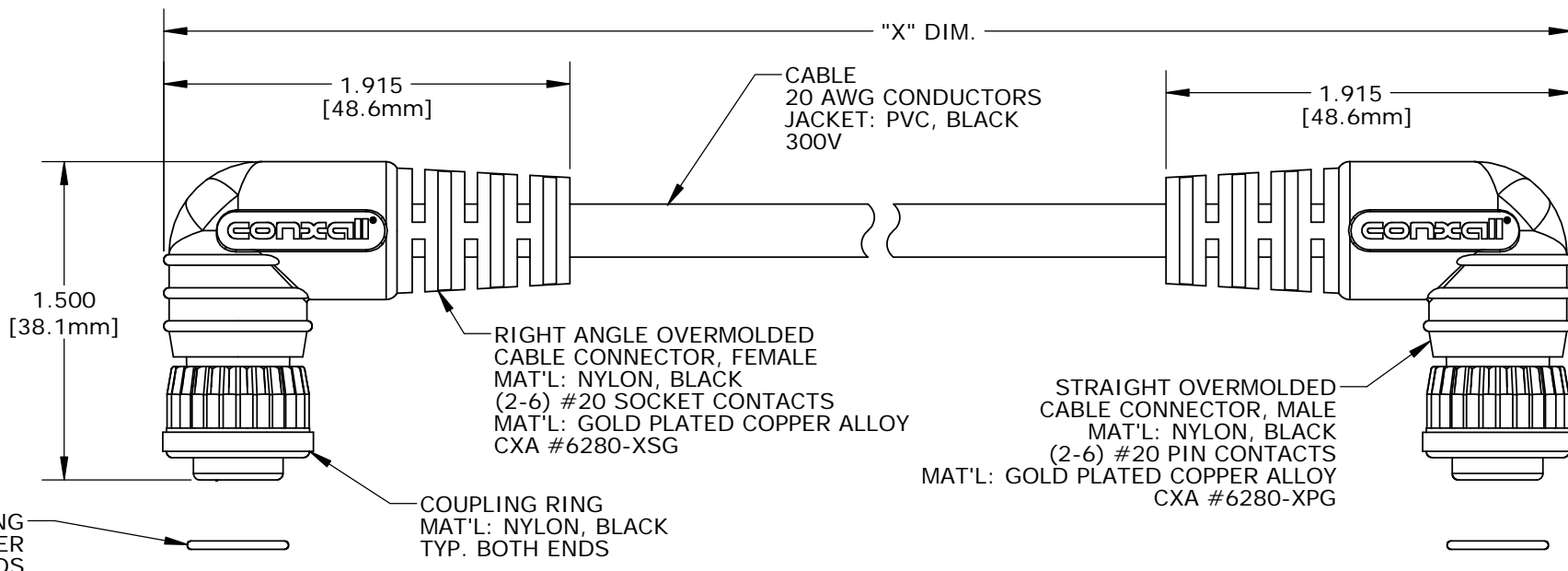
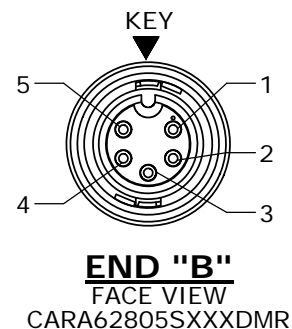
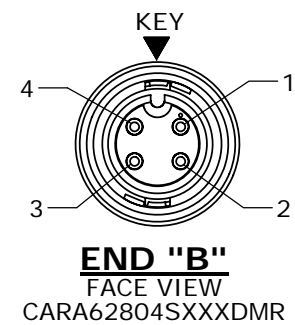
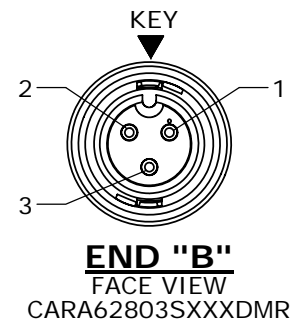
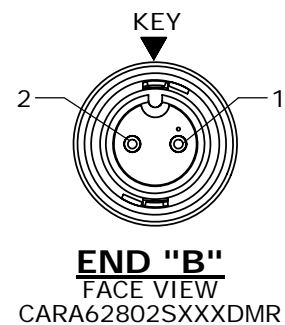
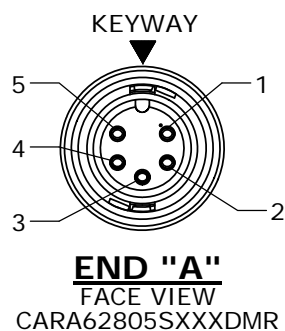
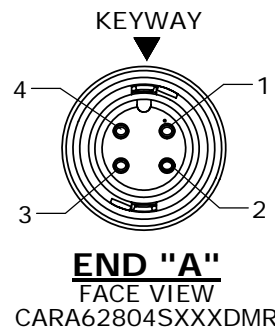
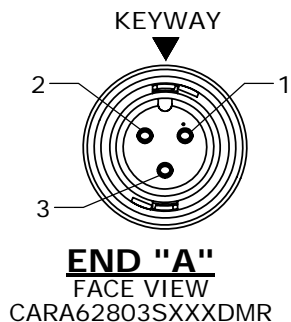
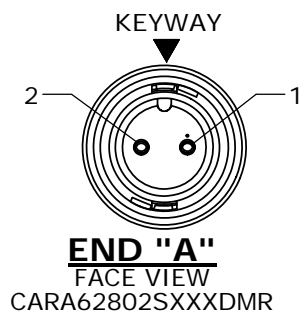
1. FINISHED CABLE ASSEMBLY TO BE COILED
2. OVERMOLD BOOT MATERIAL: PVC, BLACK
3. ELECTRICAL TEST: 100% CONTINUITY
4. ALL DIMENSIONS ARE REFERENCE ONLY EXCEPT WHEN NOTED WITH TOLERANCE

ASS'Y P/N	NO. OF POS.
CARA62802SXXXDMR	2
CARA62803SXXXDMR	3
CARA62804SXXXDMR	4
CARA62805SXXXDMR	5
CARA62806SXXXDMR	6
CARA6280XSXXXDMR	

ASS'Y P/N	"X" DIM.
CARA6280XS039DMR	3 FT. 3 1/2 IN. ± 2 IN. [1M]
CARA6280XS079DMR	6 FT. 7 IN. ± 2 IN. [2M]
CARA6280XS197DMR	16 FT. 5 IN. ± 4 IN. [5M]
CARA6280XS394DMR	32 FT. 9 3/4 IN. ± 8 IN. [10M]
CARA6280XSXXXDMR	

CABLE LENGTH IN "INCHES"
NO. OF POSITIONS

CABLE LENGTH IN "INCHES"
NO. OF POSITIONS



COLOR CODE
ENDS "A" & "B"

ASSY P/N	CABLE	COLOR CODE					
CARA62802SXXXDMR	2/20 AWG O.D. 0.215 REF	POS. 1	POS. 2				
		BLK	WHT				
CARA62803SXXXDMR	3/20 AWG O.D. 0.220 REF	WIRE COLOR CODE					
		POS. 1	POS. 2	POS. 3			
		BLK	WHT	GRN			
CARA62804SXXXDMR	4/20 AWG O.D. 0.235 REF	WIRE COLOR CODE					
		POS. 1	POS. 2	POS. 3	POS. 4		
		BLK	WHT	GRN	RED		
		WIRE COLOR CODE					
CARA62805SXXXDMR	5/20 AWG O.D. 0.255 REF	POS. 1	POS. 2	POS. 3	POS. 4	POS. 5	
		BLK	WHT	GRN	RED	BLU	
		WIRE COLOR CODE					
		WIRE COLOR CODE					
		WIRE COLOR CODE					
CARA62806SXXXDMR	6/20 AWG O.D. 0.275 REF	POS. 1	POS. 2	POS. 3	POS. 4	POS. 5	POS. 6
		BLK	WHT	GRN	RED	BLU	VIO
		WIRE COLOR CODE					
		WIRE COLOR CODE					
		WIRE COLOR CODE					
		WIRE COLOR CODE					

CUSTOMER APPROVAL

THIS DOCUMENT CONTAINS CONFIDENTIAL INFORMATION PROPRIETARY TO CONXALL CORPORATION. ANY REPRODUCTION, DISCLOSURE, OR USE OF THIS DOCUMENT / INFORMATION IS EXPRESSLY PROHIBITED UNLESS AUTHORIZED IN WRITING BY CONXALL CORPORATION.

APPROVED BY: _____

DATE: _____

REV.	INIT.	DATE	DESCRIPTION
A	AN	03-12-18	DRAWING CREATED PER DOR 17-8167JS
ALL INFORMATION ILLUSTRATED IS THE PROPERTY OF "CONXALL CORPORATION". UNAUTHORIZED DUPLICATION OR DISTRIBUTION OF THIS DOCUMENT IS PROHIBITED.			601 E. WILDWOOD VILLA PARK, IL 60181
ALL UNITS ARE IN FEET, INCHES, FRACTION OF INCHES AND DECIMALS.			
APPROVED BY:		DATE:	TITLE:
SCALE:		SIZE:	SHEET:
FILE:		DIRECTORY:	PART NUMBER:
REV. A		TITLE: CABLE ASSEMBLY (2-6) #20 CONTACTS, FEMALE/MALE MINI-CON-X, R. ANGLE - R. ANGLE	
CUSTOMER: STANDARD PRODUCT		PART NUMBER: CARA6280XSXXXDMR	

DIMENSIONS IN BRACKET [] ARE METRIC.

RoHS COMPLIANT

CUSTOMER PRINT

PART NUMBER: CARA6280XSXXXDMR