

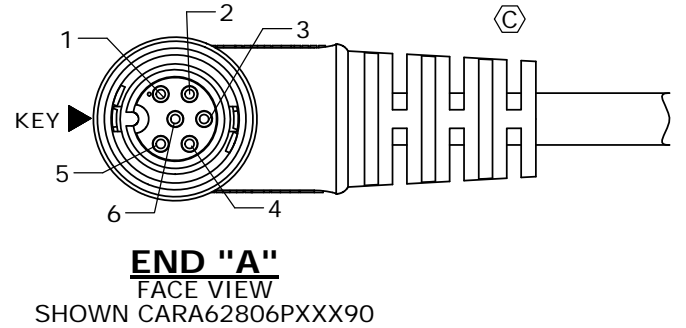
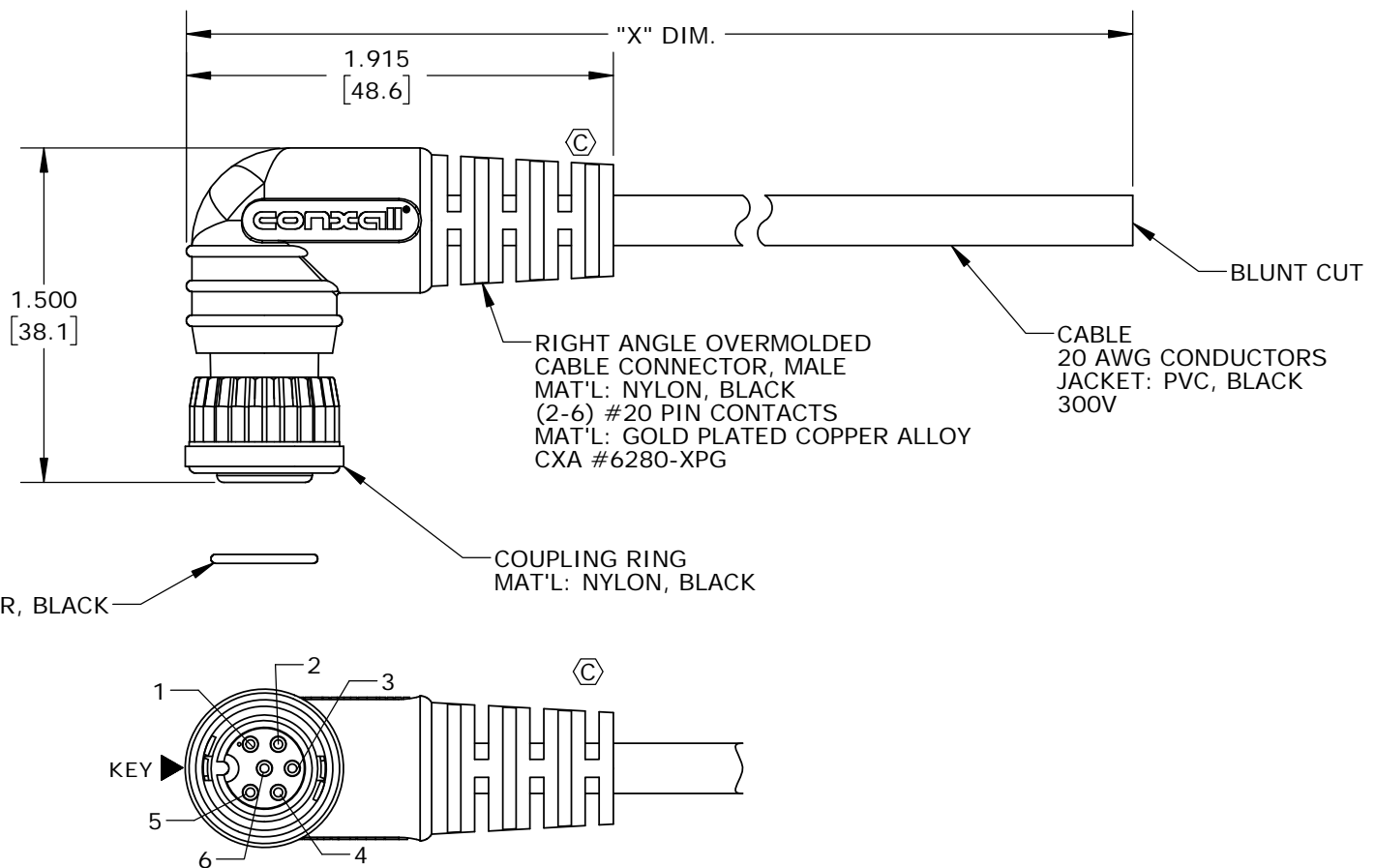
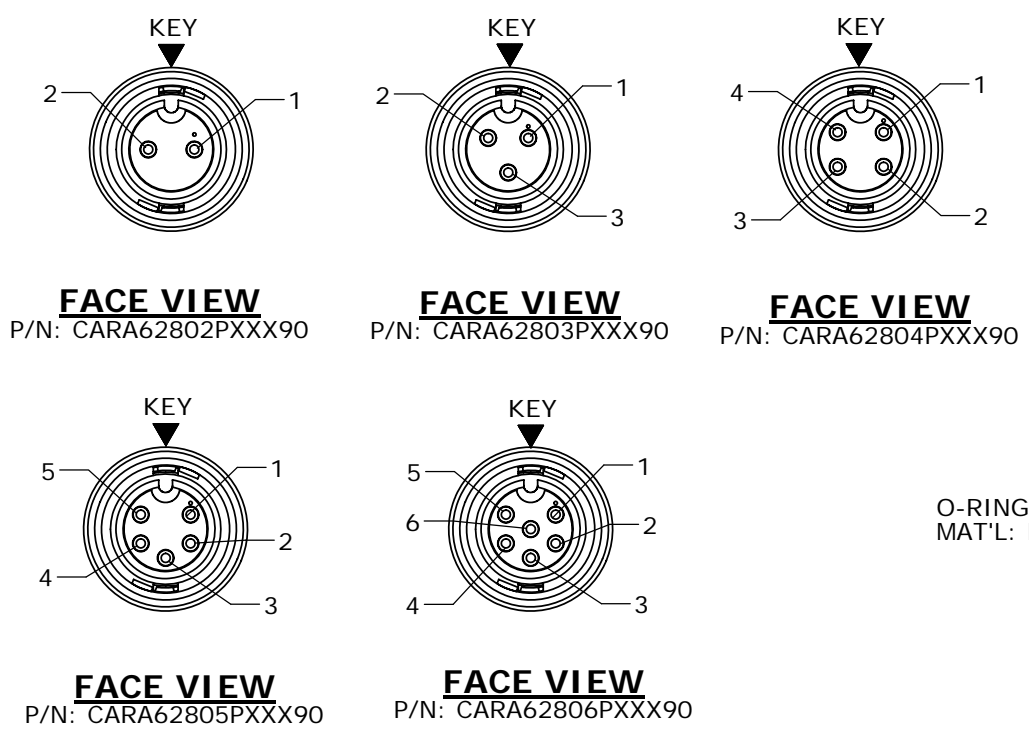
CUSTOMER PRINT

PART NUMBER: CARA6280XPXXX90

- NOTES:**
1. FINISHED CABLE ASSEMBLY TO BE COILED
  2. OVERMOLD BOOT MATERIAL: PVC, BLACK
  3. ELECTRICAL TEST: 100% CONTINUITY
  4. ALL DIMENSIONS ARE REFERENCE EXCEPT THOSE WITH A TOLERANCE

ASS'Y P/N	NO. OF POS.	"X" DIM.
CARA62802P07990	2	6 FT. 7 IN. ±2 IN. [2M]
CARA62803P07990	3	
CARA62804P07990	4	
CARA62805P07990	5	
CARA62806P07990	6	
CARA6280XPXXX90		

— CABLE LENGTH IN "INCHES"  
— NO OF POSITIONS



ASSY P/N	CABLE	COLOR CODE END "A"
CARA62802PXXX90	2/20 AWG O.D. 0.215 REF	COLOR CODE
		POS. 1 POS. 2
CARA62803PXXX90	3/20 AWG O.D. 0.220 REF	WIRE COLOR CODE
		POS. 1 POS. 2 POS. 3
CARA62804PXXX90	4/20 AWG O.D. 0.235 REF	WIRE COLOR CODE
		POS. 1 POS. 2 POS. 3 POS. 4
CARA62805PXXX90	5/20 AWG O.D. 0.255 REF	WIRE COLOR CODE
		POS. 1 POS. 2 POS. 3 POS. 4 POS. 5
CARA62806PXXX90	6/20 AWG O.D. 0.275 REF	WIRE COLOR CODE
		POS. 1 POS. 2 POS. 3 POS. 4 POS. 5 POS. 6

**CUSTOMER APPROVAL**

THIS DOCUMENT CONTAINS CONFIDENTIAL INFORMATION PROPRIETARY TO CONXALL CORPORATION. ANY REPRODUCTION, DISCLOSURE, OR USE OF THIS DOCUMENT / INFORMATION IS EXPRESSLY PROHIBITED UNLESS AUTHORIZED IN WRITING BY CONXALL CORPORATION.

APPROVED BY: \_\_\_\_\_  
DATE: \_\_\_\_\_

REV.	INIT.	DATE	DESCRIPTION
C	BDS	1-3-18	CNGD OVERMOLD TO FLEX STYLE PER DOR 15-6865CS-1 & ECR 9250
B	AN	10-26-16	UPDATED MANUFACTURING DRAWING PER ECR 9122
A	AN	06-30-16	DRAWING CREATED PER DOR 16-7414JP

ALL INFORMATION ILLUSTRATED IS THE PROPERTY OF "CONXALL CORPORATION". UNAUTHORIZED DUPLICATION OR DISTRIBUTION OF THIS DOCUMENT IS PROHIBITED.	ORIG. DRAWN BY: AN DATE: 05-26-16 CHECKED BY:	 601 E. WILDWOOD VILLA PARK, IL 60181
ALL UNITS ARE IN FEET, INCHES, FRACTION OF INCHES AND DECIMALS.	APPROVED BY: SCALE: NTS SIZE: B SHEET: 1 OF 1 FILE: CARA6280XPXXX90 DIRECTORY: SLW	
TITLE: CABLE ASSEMBLY (2-6) #20 PIN CONTACTS MINI-CON-X, R. ANGLE STANDARD PRODUCT		CUSTOMER: CARA6280XPXXX90 PART NUMBER: CARA6280XPXXX90 REV C

DIMENSIONS IN BRACKET [ ] ARE METRIC. **RoHS COMPLIANT**