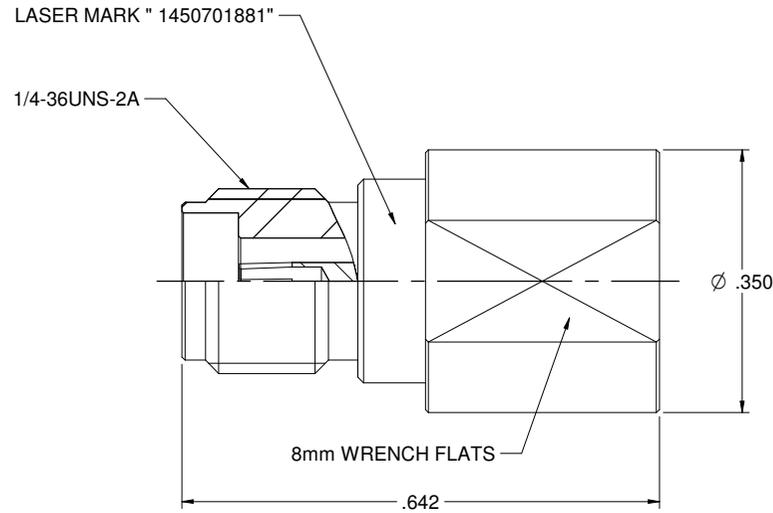


MODEL NO.	PACKAGING
145-0701-881	ONE PCS PER BAG

REV	ECO	DATE
001	ECO-19-0019	05/31/2019



NOTES: UNLESS OTHERWISE SPECIFIED

1. MATERIAL & FINISH:

- 1.1 BODY: PASSIVATED STAINLESS STEEL
- 1.2 INNER BODY: GOLD PLATED BRASS
- 1.3 CONTACT PIN: GOLD PLATED BERYLLIUM COPPER
- 1.4 INSULATOR: PEEK, NATURAL
- 1.5 RESISTOR: 50 OHMS +/- 1% 1/4W

2. ELECTRICAL:

- 2.1 IMPEDANCE: 50 OHMS
- 2.2 FREQUENCY RANGE: DC-40 GHz
- 2.3 RETURN LOSS: -20DB MAX
- 2.4 DIELECTRIC WITHSTANDING VOLTAGE: 750 VRMS MIN
- 2.5 CONTACT RESISTANCE:
 - 2.5.1 CENTER CONTACT: 3 MILLIOHMS MAX
 - 2.5.2 OUTER CONTACT: 2 MILLIOHMS MAX
- 2.6 INSULATOR RESISTANCE: 5000 MEGOHM MIN
- 2.7 WORKING VOLTAGE: 250 VRMS MAX

3. MECHANICAL:

- 3.1 ENGAGEMENT AND DISENGAGEMENT FORCE: 0.23 MN MAX
- 3.2 COUPLING TORQUE RECOMMENDED: 0.8 NM TO 1.1 NM
- 3.3 COUPLING TORQUE PROOF: 1.7 NM
- 3.4 CONTACT RETENTION: 22 N MIN
- 3.5 DURABILITY: 500CYCLES MIN

4. ENVIRONMENT:

- 4.1 OPERATING TEMPERATURE: -55 TO 125°C
- 4.2 THERMAL SHOCK: MIL-STD-202, METHOD 107, CONDITION B.
- 4.3 SHOCK: MIL-STD-202, METHOD 213, CONDITION I
- 4.4 VIBRATION: MIL-STD-202, METHOD 204, CONDITION D
- 4.5 MOISTURE RESISTANCE: MIL-STD-202, METHOD 106
- 4.6 SALT SPRAY: MIL-STD-202, METHOD 101, CONDITION B

	Model No. 145-0701-881/890	Johnson	
<small> THE INFORMATION CONTAINED HEREIN IS UNCLASSIFIED EXCEPT WHERE SHOWN OTHERWISE. IT IS THE PROPERTY OF CINCH CONNECTIVITY CORPORATION AND IS TO BE USED ONLY FOR THE PURPOSES SPECIFIED HEREIN. </small>	<small> XXXX + 02 XXXXX + 01 ANGLISH: 10 </small>	<small> DRAWN BY Betty Yu </small>	<small> Title: 2.92mm (SMK) TERMINATOR W/O CHAIN JACK (50 OHMS +/- 1 %, 1/4W) Drawing No. 145-0701-881/890 Rev. 001 </small>
<small> DATE: 05/31/2019 SIZE: C DO NOT SCALE DRAWING </small>	<small> REWORKING REF: NONE </small>	<small> Sheet 1 of 1 </small>	