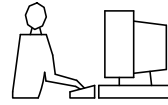


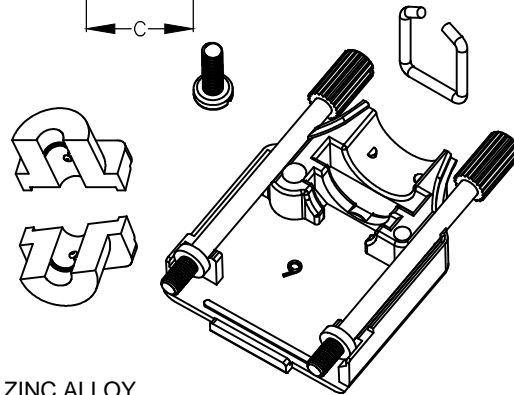
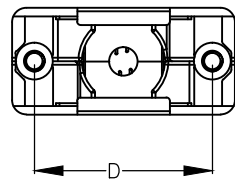
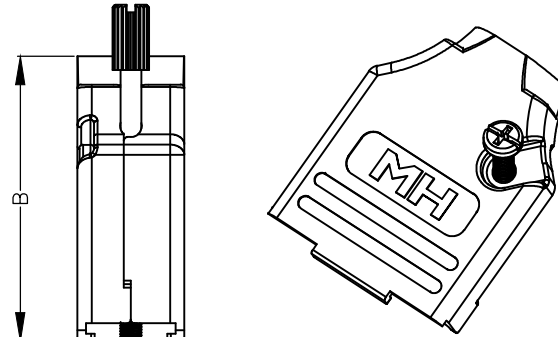
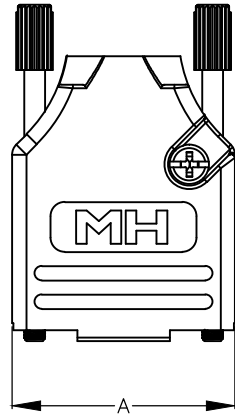
THIS IS A C.A.D. GENERATED DRAWING
DO NOT MAKE MANUAL REVISIONS TO MASTER.



* UNLESS OTHERWISE SPECIFIED TOLERANCES
ON DECIMAL IS: ANGLE ±5°
UNIT: MM X. ±0.38
X.X ±0.25

BACKSHELL KIT INCLUDES:

- (2) BACKSHELL HALVES
- (2) 4-40 THUMBSCREWS
- (2) HOUSING SCREWS
- (1) SET OF COMPRESSION INSERTS - VARIOUS SIZES
DIAMETERS 4mm (.157"), 5mm (.167"), 7mm (.276"), 9mm(.354")
- (1) COMPRESSION SPRING



DIMENSIONS(mm/in)

SIZE	A $\pm_{0.02}^{+0.50}$	B $\pm_{0.02}^{+0.50}$	C $\pm_{0.02}^{+0.50}$	D $\pm_{0.01}^{+0.25}$
9	31.20	39.90	15.00	24.99
	1.228	1.571	0.591	0.984
15	39.50	41.50	15.00	33.32
	1.555	1.634	0.591	1.312
25	53.40	48.60	15.00	47.04
	2.102	1.913	0.591	1.852
37	69.70	53.60	15.00	63.50
	2.744	2.110	0.591	2.500

ORDERING INFORMATION:

SIZE	PRODUCT CODE:
9-WAY	MHDTZK-9-K
15-WAY	MHDTZK-15-K
25-WAY	MHDTZK-25-K
37-WAY	MHDTZK-37-K

SIZE	PRODUCT CODE:
9-WAY	MHDTZK-9
15-WAY	MHDTZK-15
25-WAY	MHDTZK-25
37-WAY	MHDTZK-37

BACKSHELL MATERIAL:
PLATING:
JACKSCREWS:
M3 HOODSCREWS:
COMPRESSION INSERT:
COMPRESSION SPRING:
OPERATING TEMP:

DIE-CAST ZINC ALLOY
NICKEL
STEEL: Zn PLATED
STEEL: Zn PLATED
ABS, UL RECOGNIZED
STEEL, NICKEL PLATED
-40°C TO +120°C

THESE DRAWINGS AND SPECIFICATIONS ARE THE PROPERTY OF MH CONNECTORS AND SHALL NOT BE REPRODUCED, COPIED OR USED AS THE BASIS FOR THE MANUFACTURE OR SALE OF APPARATUS WITHOUT WRITTEN PERMISSION.

DRAWN Johnny Chen DATE 03-28-18

APPROVED Victor Lin DATE 03-28-18

SCALE 1 : 1 SHEET OF 1 OF 1 REV: 4.0

DRAWING No MHDZTK SERIES



THIS SERIES FULLY CONFORMS TO THE EUROPEAN UNION DIRECTIVES 2002/95/EC AND 2002/96/EC FOR RoHS COMPLIANCY.



**MH CONNECTORS ,
DIVISION OF EDAC**