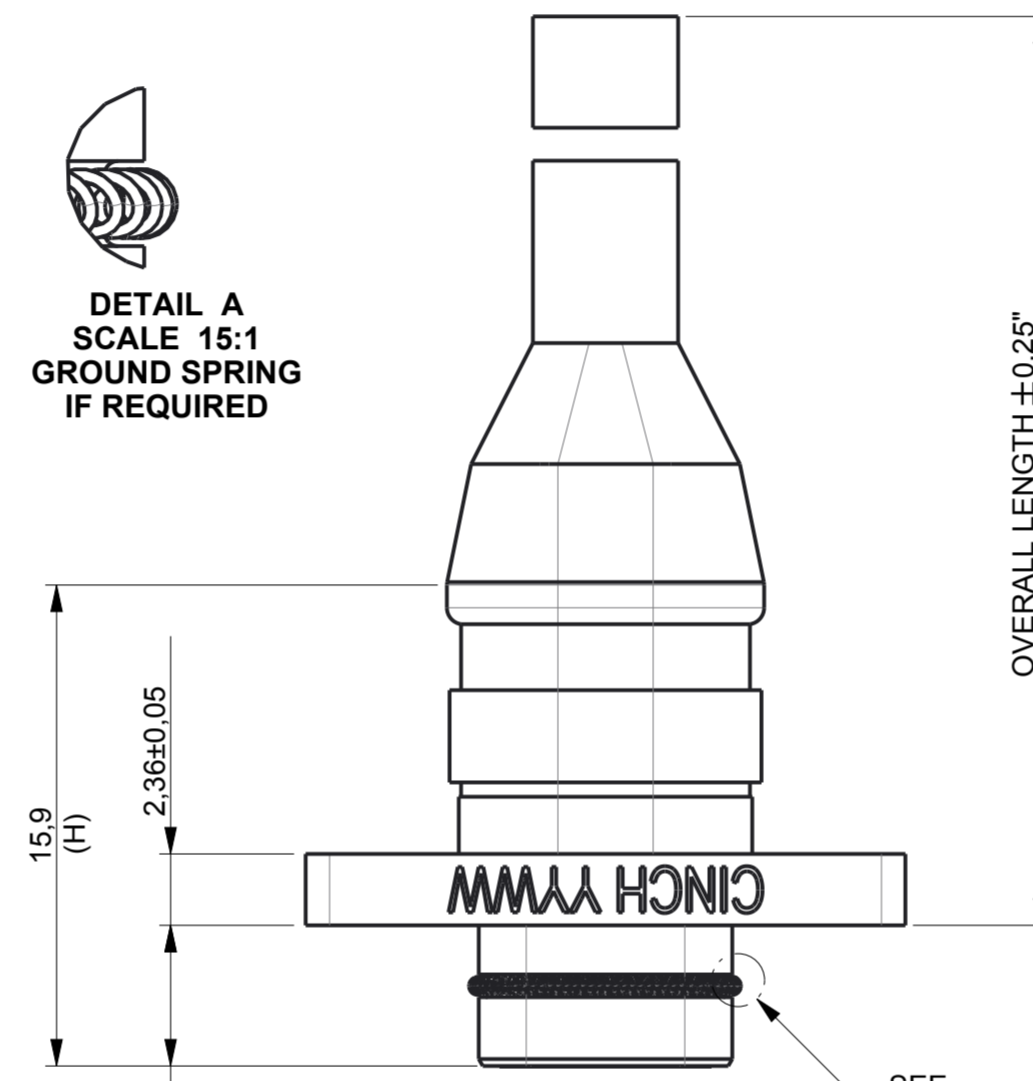
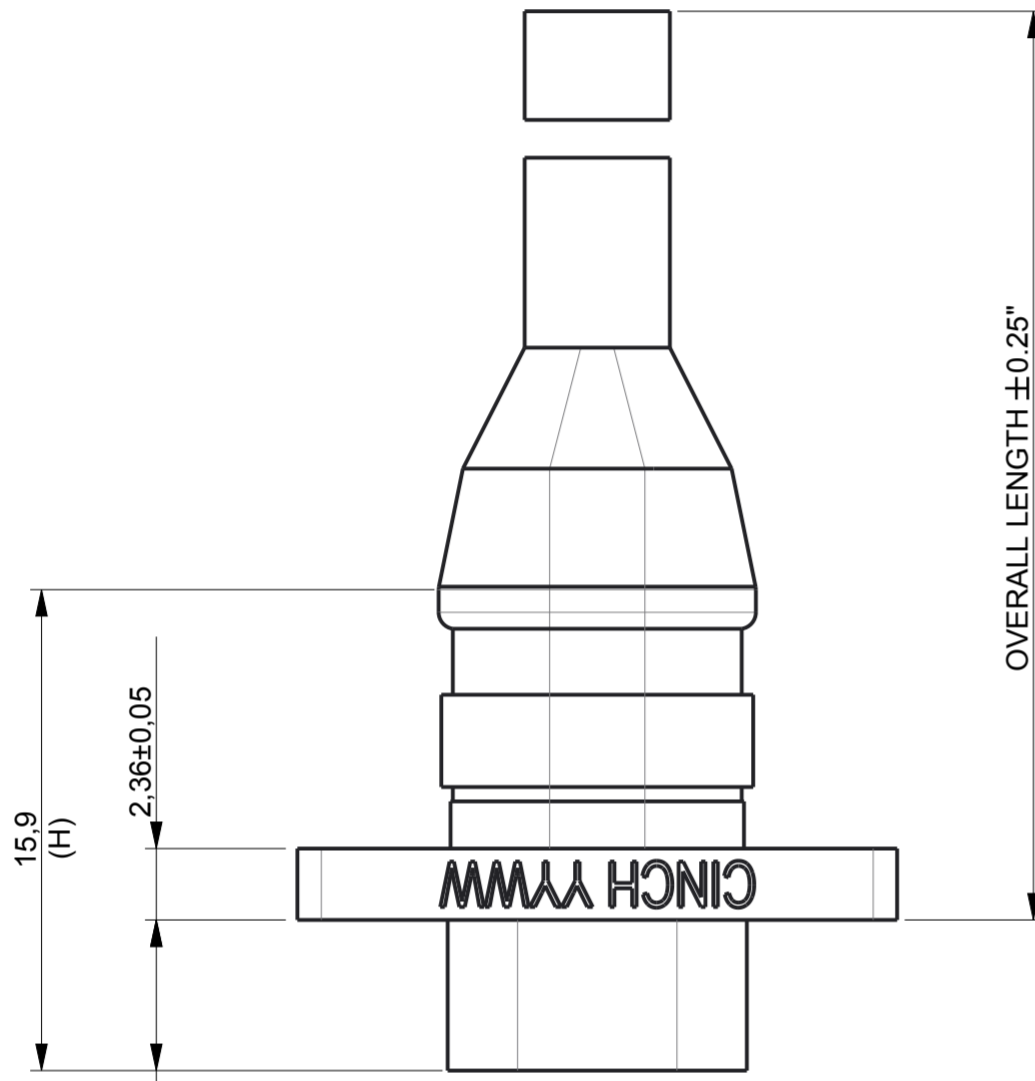
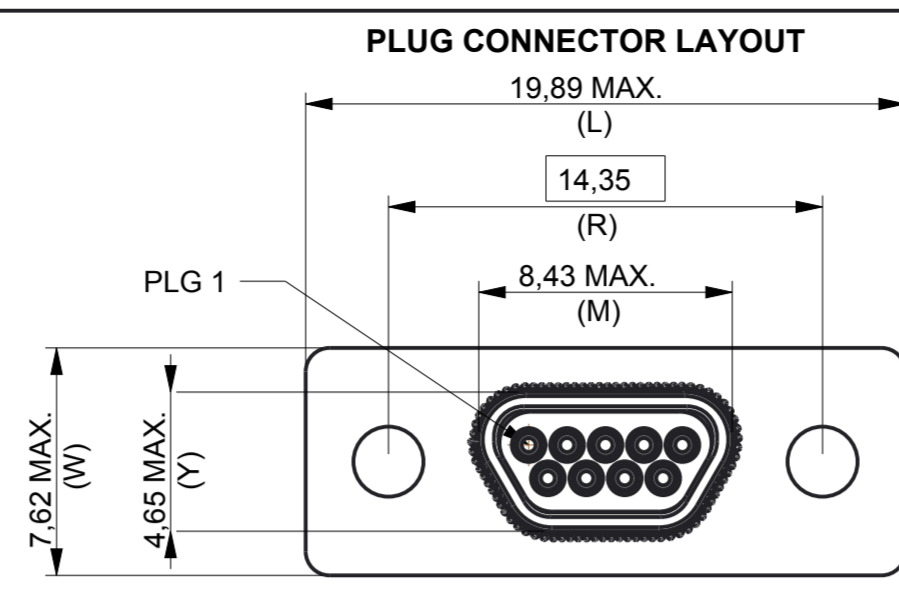
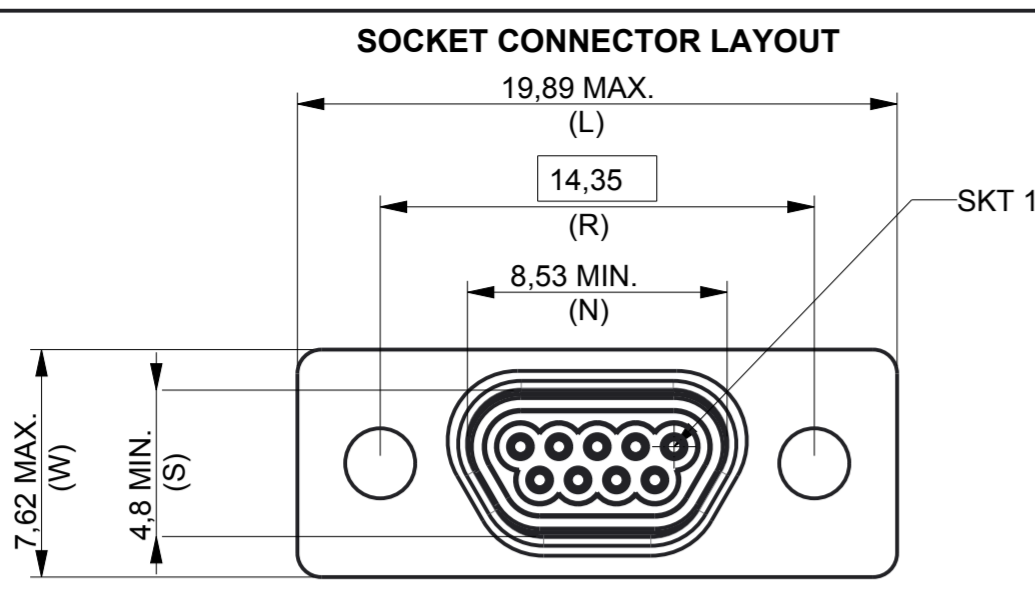


RELEVANT SPEC	MIL-DTL-83513 INTERFACE
PROJ. MODEL FILE	12022491--SKTR01
DATE	12/02/2491
IF IN DOUBT - ASK	
ALL DIMENSIONS ARE IN mm	



SALES-CODE NOMENCLATURE

DC	D	C	9	S	6	E	2	18.0	N	N	S	G
----	---	---	---	---	---	---	---	------	---	---	---	---

BASIC PART NUMBER

INSULATOR TYPE
 C - DIALYL PHTHALATE (GLASS-REINFORCED)
 D - THERMOPLASTIC (GLASS-REINFORCED)

MOUNTING TYPE
 C - CABLE ASSEMBLY

SHELL SIZE
 9, 15, 21, 25, 31, 37, 51, 100

GENDER
 P - PLUG
 S - SOCKET
 GP - DOUBLE ENDED PLUG - PLUG
 GS - DOUBLE ENDED SOCKET - SOCKET
 PS - DOUBLE ENDED PLUG - SOCKET

WIRE SIZE (AWG)
 4 - 24
 6 - 26
 8 - 28
 0 - 30

WIRE TYPE
 E - MIL-W-16878/4 7 STRAND (NEMA-HP3)
 F - MIL-W-16878/6 7 STRAND (NEMA-HP3)
 G - MIL-W-16878/4 19 STRAND (NEMA-HP3)
 H - MIL-W-16878/6 19 STRAND (NEMA-HP3)
 K - SAE-AS-22759/11
 L - SAE-AS-22759/19

GROUND SPRING OPTION
 N - NO GROUND SPRING
 G - GROUND SPRING (PLUG ONLY)

HARDWARE
 B - NO HARDWARE
 F - FLOAT MOUNT (FRONT PANEL MOUNT)
 L - HEX HEAD JACKSCREW (NON-REMOVEABLE)
 M - HEX HEAD JACKSCREW/CIRCLIP
 P - JACKPOST
 R - FLOAT MOUNT (REAR PANEL MOUNT)
 S - JACKSCREW SLOT HEAD/CIRCLIP

SHELL FINISH
 NO DESIGNATION - CADMIUM
 N - ELECTROLESS NICKEL
 G - GOLD

TERMINATION
 N - NO SHIELD / NO JACKET
 A - BRAIDED SHIELD
 C - BRAIDED SHIELD WITH EXPANDO-HR JACKET
 D - NO SHIELD WITH EXPANDO-HR JACKET

OVERALL LENGTH (INCHES)
 18.0 - STRANDED WIRE
 24.0 - STRANDED WIRE
 36.0 - STRANDED WIRE
 48.0 - STRANDED WIRE

INSULATION COLOUR
 1 - WHITE
 2 - YELLOW
 5 - COLOUR CODED PER MIL-STD-681 SYSTEM 1

PART NUMBER	L	M	N	R	S	W	Y
DCDC-9P	19,89	8,43		14,35		7,62	4,65
DCDC-15P	23,70	12,24		18,16		7,62	4,65
DCDC-21P	27,51	16,05		21,97		7,62	4,65
DCDC-25P	30,05	18,89		24,51		7,62	4,65
DCDC-31P	33,86	22,40		28,32		7,62	4,65
DCDC-37P	37,67	26,21		32,13		7,62	4,65
DCDC-51P	36,40	24,94		30,86		8,71	5,74
DCDC-100P	54,94	35,10		45,72		9,75	6,83
DCDC-9S	19,89		8,53	14,35	4,80	7,62	
DCDC-15S	23,70		12,34	18,16	4,80	7,62	
DCDC-21S	27,51		16,15	21,97	4,80	7,62	
DCDC-25S	30,05		18,69	24,51	4,80	7,62	
DCDC-31S	33,86		22,50	28,32	4,80	7,62	
DCDC-37S	37,67		26,31	32,13	4,80	7,62	
DCDC-51S	36,40		25,04	30,86	5,92	8,71	
DCDC-100S	54,94		35,20	45,72	7,04	9,75	

NOTES:

- DIMENSIONS ARE FOR REFERENCE ONLY
 - CUSTOMER DRAWING ONLY. NOT USED FOR CINCH MANUFACTURE.
 - PART MARK CONNECTOR WITH CINCH AND DATE-CODE.
- MATERIAL SPECIFICATIONS:**
- CONNECTOR SHELL: >ASTM ALLOY< SAE-AMS-QQ-A-250. CADMIUM PER SAE-AMS-QQ-P-416. ELECTROLESS Ni PER SAE-AMS-C-26074. GOLD PER MIL-G-45204.
 - CONTACT (MALE PINS): >Cu ALLOY<. Au PER MIL-DTL-45204, TYPE 1.
 - CONTACT (FEMALE SOCKETS): >Cu ALLOY<. Au PER MIL-DTL-45204, TYPE 1.
 - INSULATOR: >PBT< PER MIL-M-24519 OR >DAP< PER ASTM-D5948.
 - HARDWARE: >303SS< PASSIVATE DIP PER SAE-AMS-QQ-P-35.
 - INTERFACIAL GASKET: >FVMQ< PER MIL-R-25988 OR >PMQ< PER ZZ-R-765.
 - DUSTCAP: >LDPE< OR ANTI-STATIC >HDPE<.
 - WIRE: SEE SALES-CODE NOMENCLATURE.

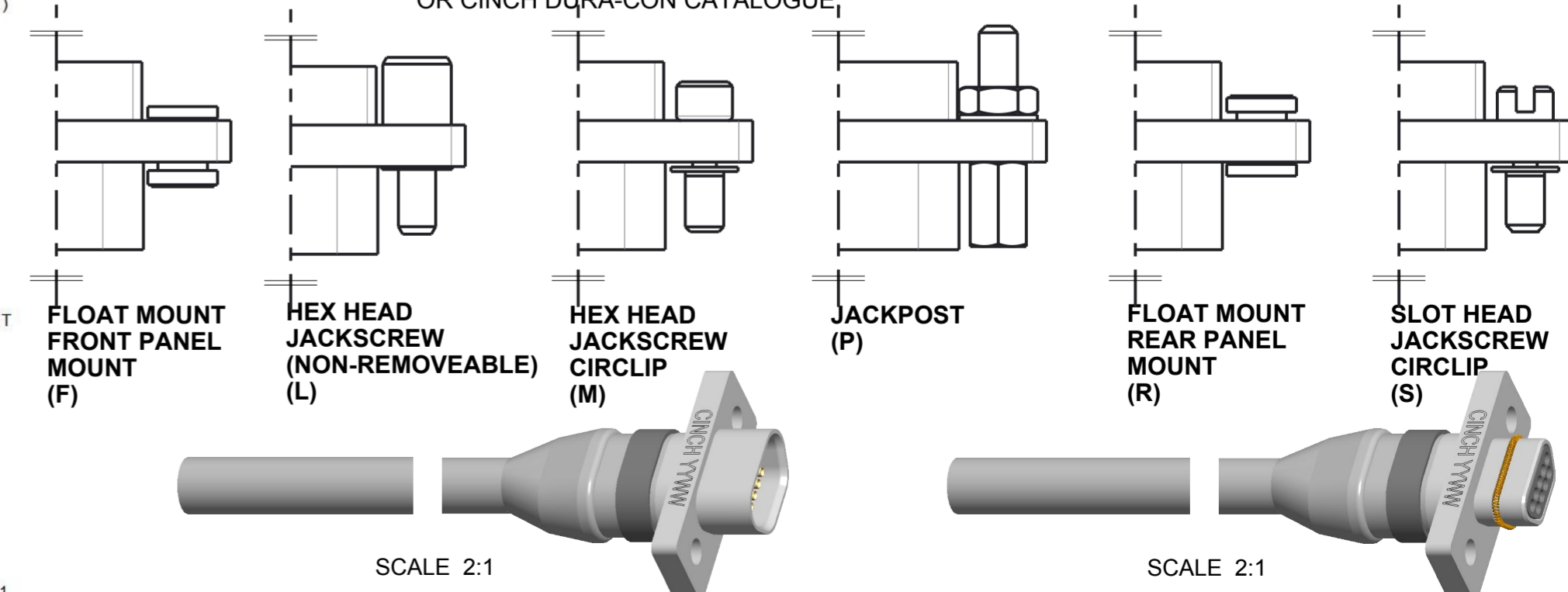
PERFORMANCE SPECIFICATIONS:

MICRO-D CONNECTORS SHALL MEET GENERAL ENVIRONMENTAL/ELECTRICAL PERFORMANCE OF MIL-DTL-83513.

CURRENT RATING: 3 AMP MAX.
 TEMPERATURE RATING: -55 °C TO +135 °C.
 INSULATION RESISTANCE: 5000 MΩ MIN.
 DWV AT SEA LEVEL: 600 VAC.
 DWV 70,000 FT ALTITUDE: 150 VAC.
 CONTACT RESISTANCE: 8 mΩ MAX.

GENERAL SPECIFICATIONS:

- ALL OTHER DETAILS AND DIMENSIONS TO BE AS PER MIL-DTL-83513 OR CINCH DURA-CON CATALOGUE.



SCALE 2:1

SCALE 2:1

THIS DRAWING IS COPYRIGHT AND IS ISSUED ON CONDITION IT IS NOT COPIED, REPRODUCED OR DISCLOSED TO A THIRD PARTY WITHOUT THE CONSENT IN WRITING OF Cinch CONNECTIVITY SOLUTIONS LTD. ATTENTION IS DRAWN TO THE FACT THE ARTICLE DISCLOSED MAY BE COVERED BY BRITISH OR FOREIGN PATENTS, GRANTED OR PENDING OR REGISTERED DESIGN.

TITLE		MICROMINIATURE	
9-51W SHIELDED CABLE ASSEMBLY		INTEGRAL SHIELD TERMINATION	
GEN. TOLERANCES	±0.1	DRN	MBARRAGLOUGH
2 DEC. PL.	±0.1	DATE	25-Feb-16
1 DEC. PL.	±0.2	SCALE	4:1
0 DEC. PL.	±0.5	RAW MATL	
ANGULAR	±1	FINISHED HARDNESS	
TOOL R MAX.	0.18	FINISH TREATMENT	
		COLOUR	

