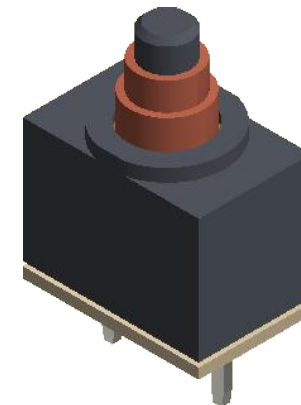
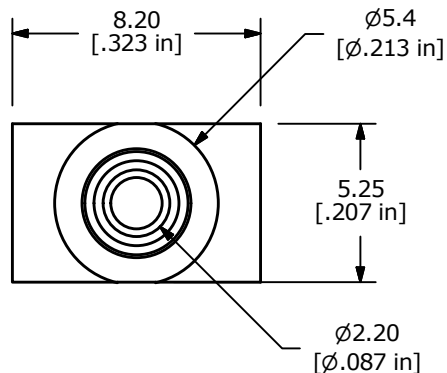
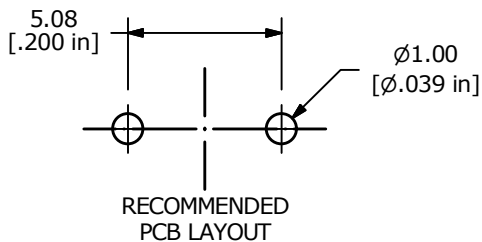
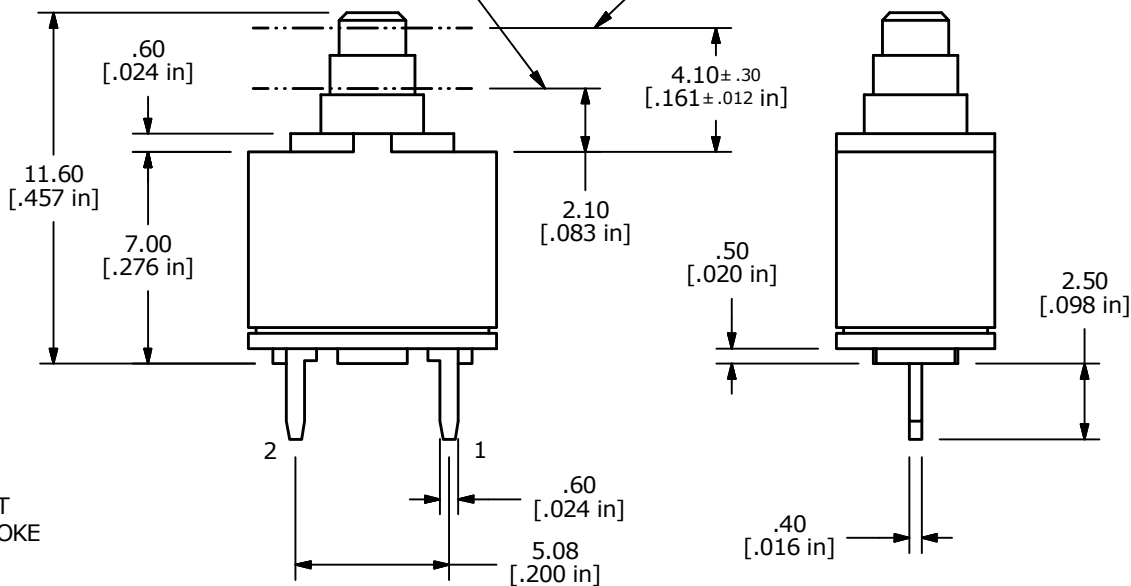


▲ CIRCUIT: SPST



▲ 100gf NOMINAL TO FULL STROKE

▲ 35gf NOMINAL TO ELECTRICAL MAKE POINT



NOTES:

1. ALL DIMENSIONS IN MM
2. GENERAL TOLERANCE: X.X=±0.4  
X.XX=±0.25
3. TERM. NOS. FOR REFERENCE ONLY.
4. RATING: 100mA @ 12VDC
5. OPERATING POSITION = 4.10 ± 0.30
- ▲ 6. OPERATING FORCE: 35gf NOMINAL TO ELECTRICAL MAKE POINT  
100gf NOMINAL MAX TRAVEL TO FULL STROKE
7. CONTACT RESISTANCE: 500 MILLI OHMS MAX. (INITIAL)
8. MECHANICAL / ELECTRICAL LIFE: 300,000 min.
9. INSULATION RESISTANCE: 100 MEGA OHMS min @ 500VDC.
10. OPERATING TEMPERATURE: -40° C TO 85° C
11. DIELECTRIC STRENGTH: 500 VAC FOR 1 MINUTE.
12. IP RATING: IP67
13. ▲ DENOTES CRITICAL PARAMETER



TITLE TD1150AF100Q				
SCALE 4:1	DATE 6/3/2019	DR MJR	DWG N115000	REV A

A	23914	NEW RELEASE	6/3/2019	MJR
REV	PCR NO	DESCRIPTION	DATE	BY

THE INFORMATION CONTAINED IN THIS DOCUMENT IS PROPRIETARY TO E-SWITCH AND IS NOT TO BE COPIED OR TRANSFERRED