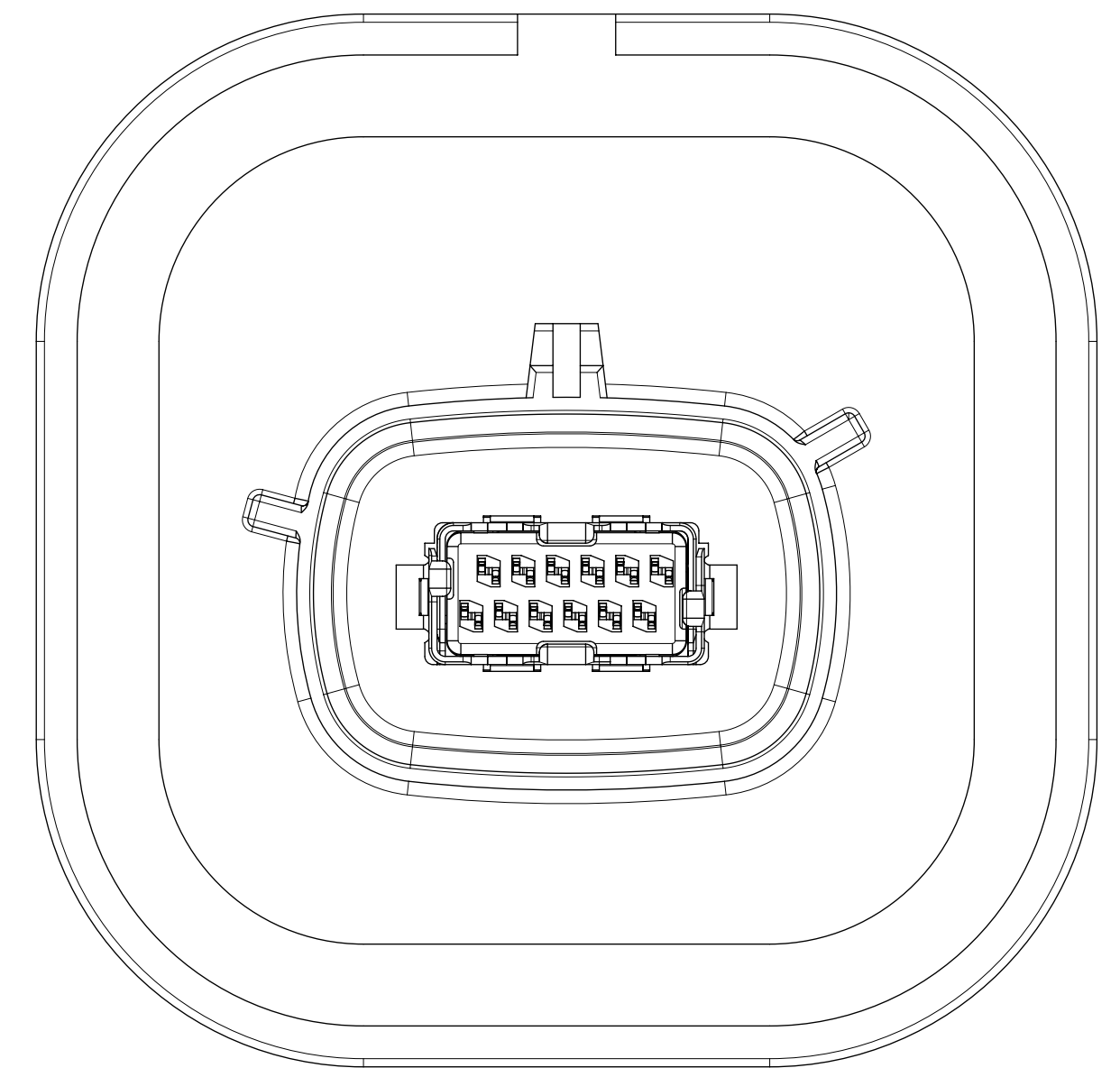
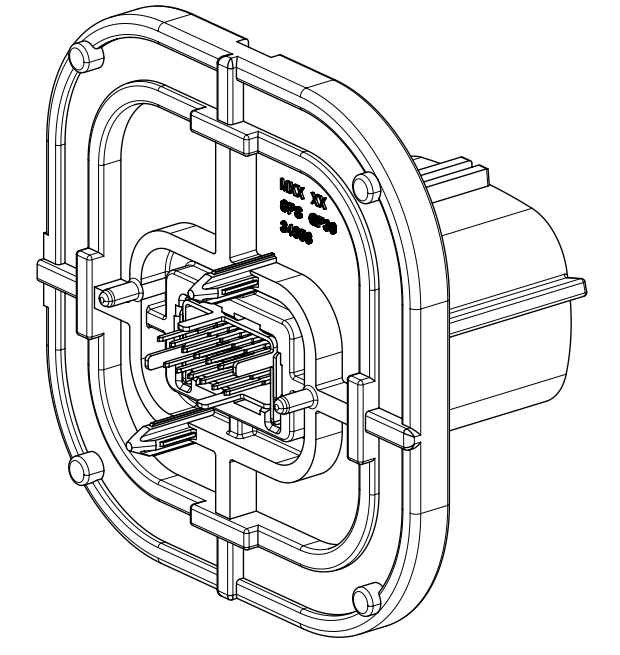
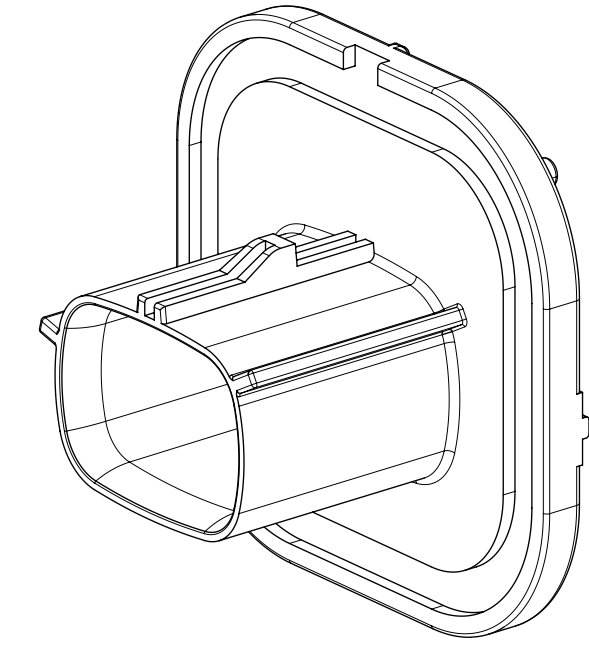
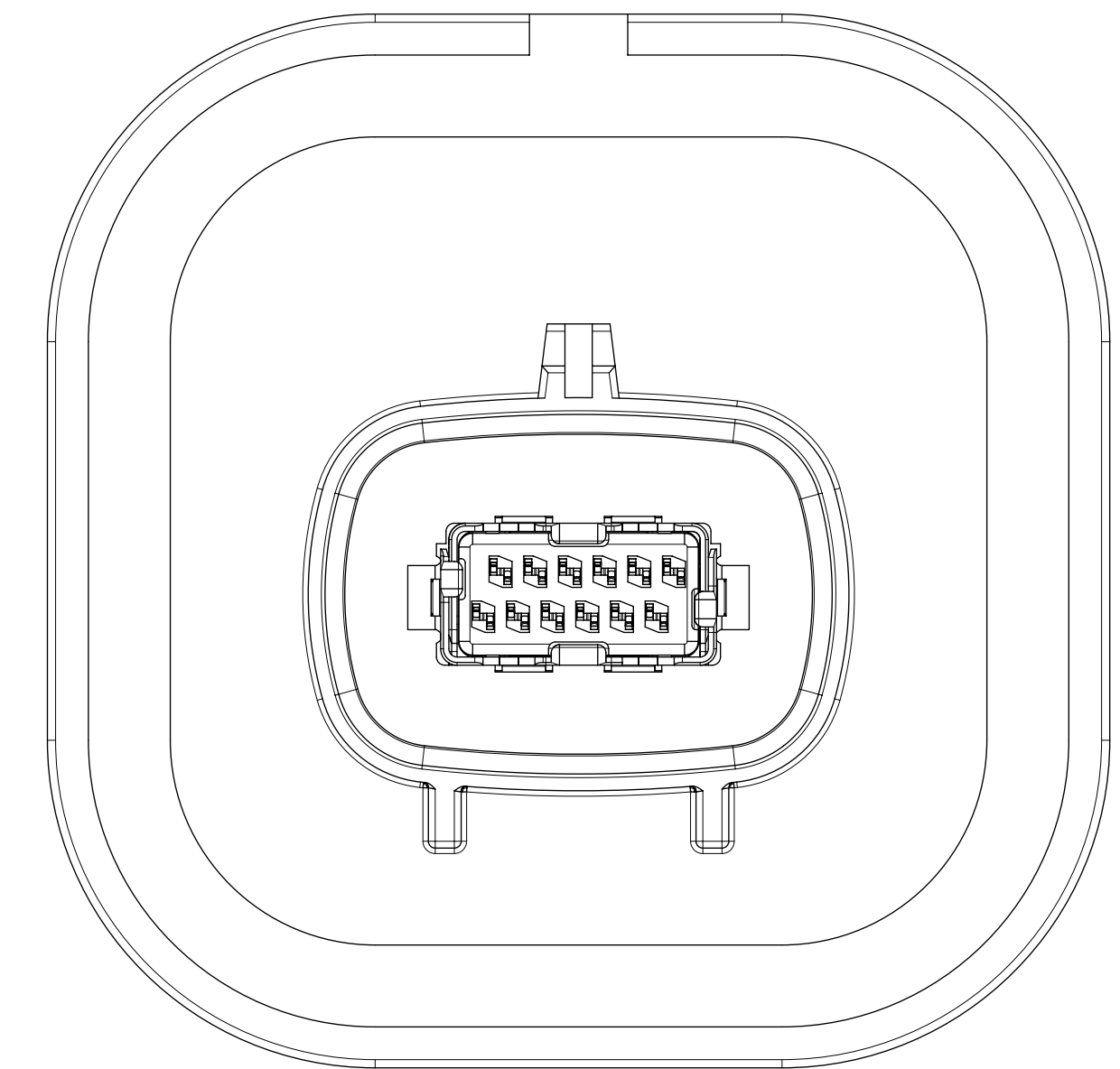


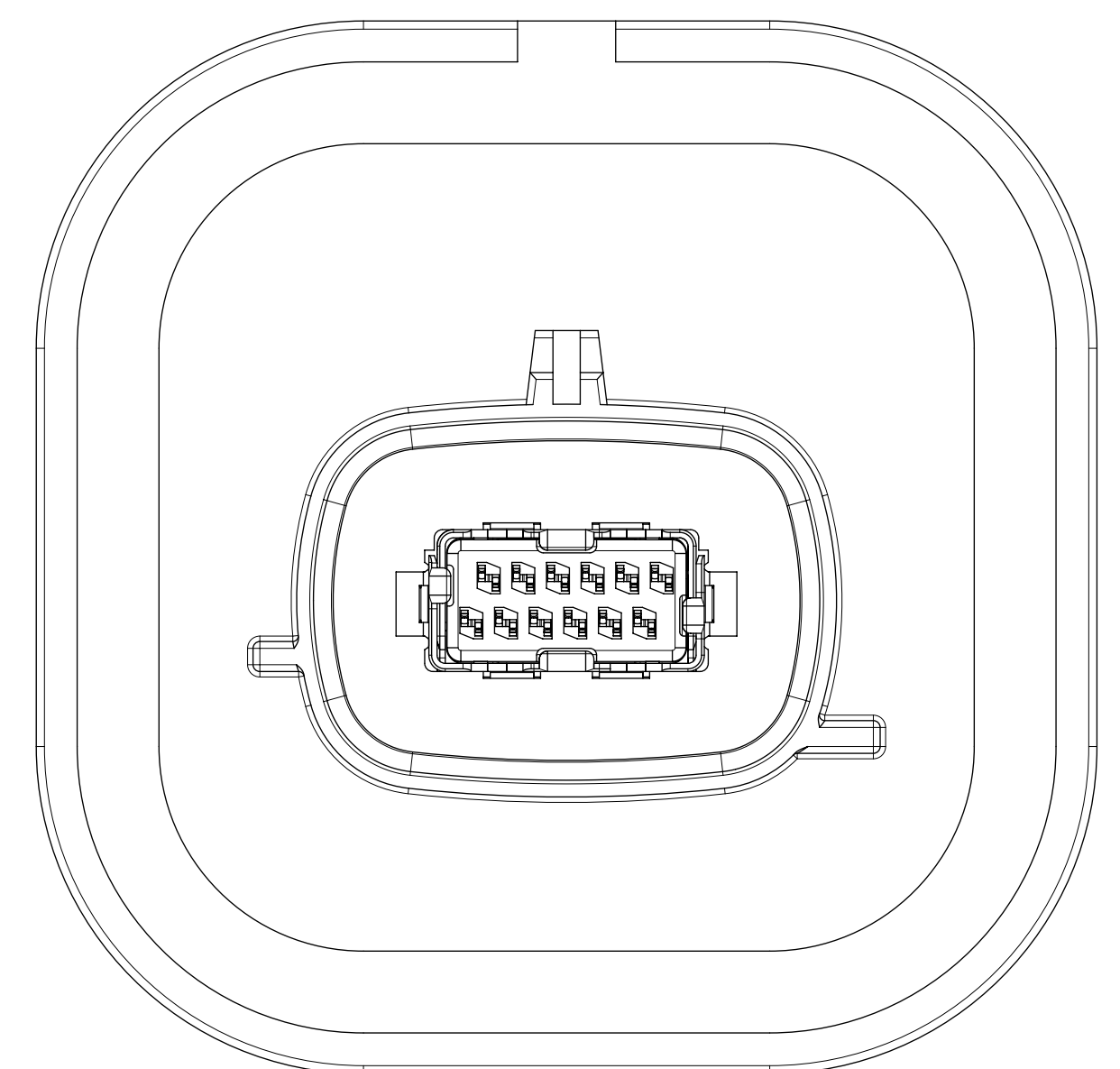
ITEM	DESCRIPTION	COLOR	34858-0506 12 CKT SEALED HEADER ASSY - KEY A	34858-0606 12 CKT SEALED HEADER ASSY - KEY B	34858-0706 12 CKT SEALED HEADER ASSY - KEY C	34858-0806 12 CKT SEALED HEADER ASSY - KEY D	34858-0516 12 CKT SEALED HEADER ASSY - KEY A (SHORT TAIL)	34858-0616 12 CKT SEALED HEADER ASSY - KEY B (SHORT TAIL)	34858-0716 12 CKT SEALED HEADER ASSY - KEY C (SHORT TAIL)	34858-0816 12 CKT SEALED HEADER ASSY - KEY D (SHORT TAIL)
1	12 CKT SEALED VERT HEADER HSG, KEY A	BLACK	1				1			
2	12 CKT SEALED VERT HEADER HSG, KEY B	GRAY		1				1		
3	12 CKT SEALED VERT HEADER HSG, KEY C	BROWN			1				1	
4	12 CKT SEALED VERT HEADER HSG, KEY D	GREEN				1				1
5	12 CKT VERTICAL TERMINAL CORE	N/A	1	1	1	1				
6	12 CKT VERTICAL TERMINAL CORE ASSY - SHORT TAIL	N/A					1	1	1	1



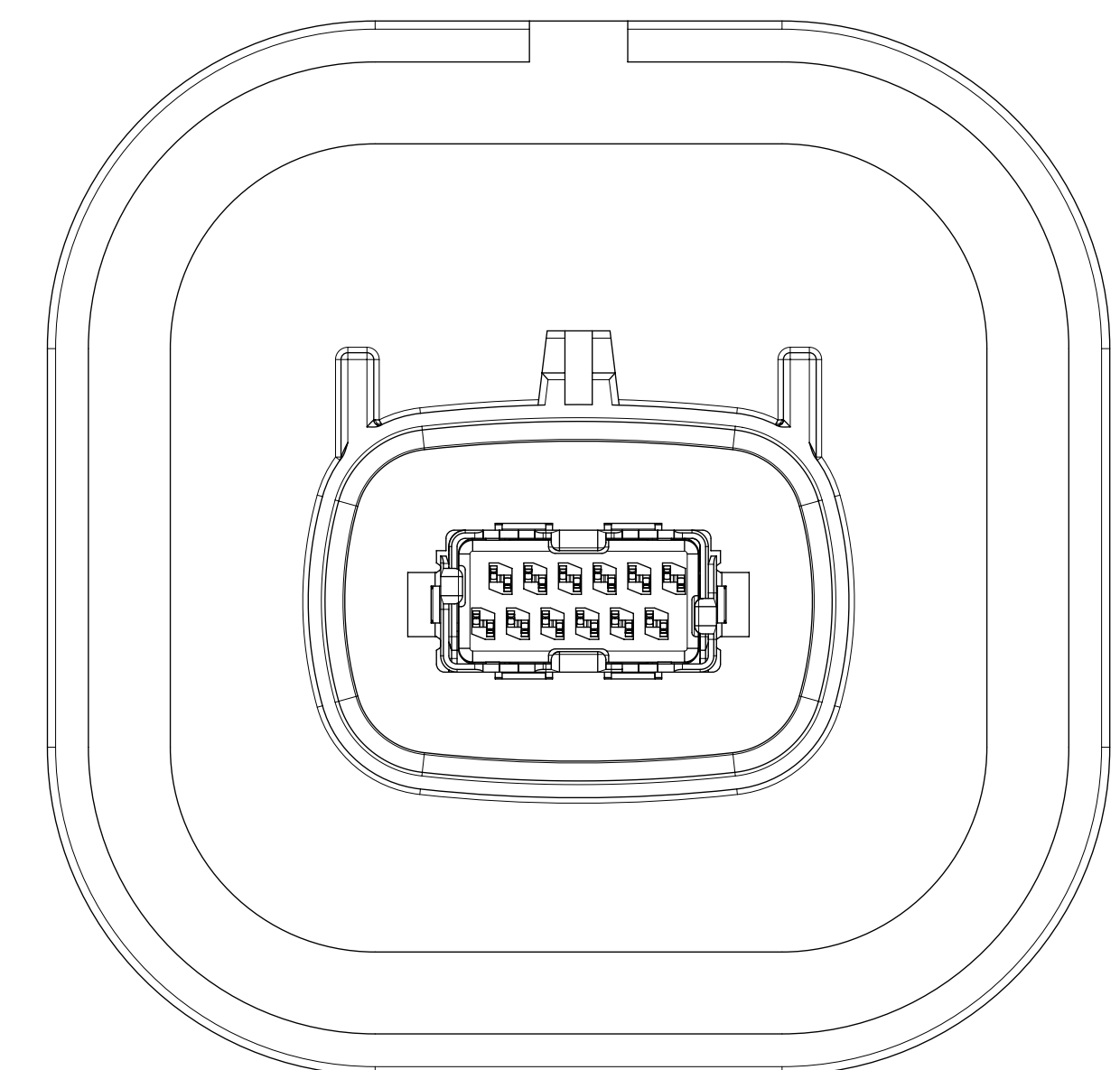
**34858-05X6**  
**KEY OPTION 'A'**  
**COLOR: BLACK**



**34858-06X6**  
**KEY OPTION 'B'**  
**COLOR: GREY**



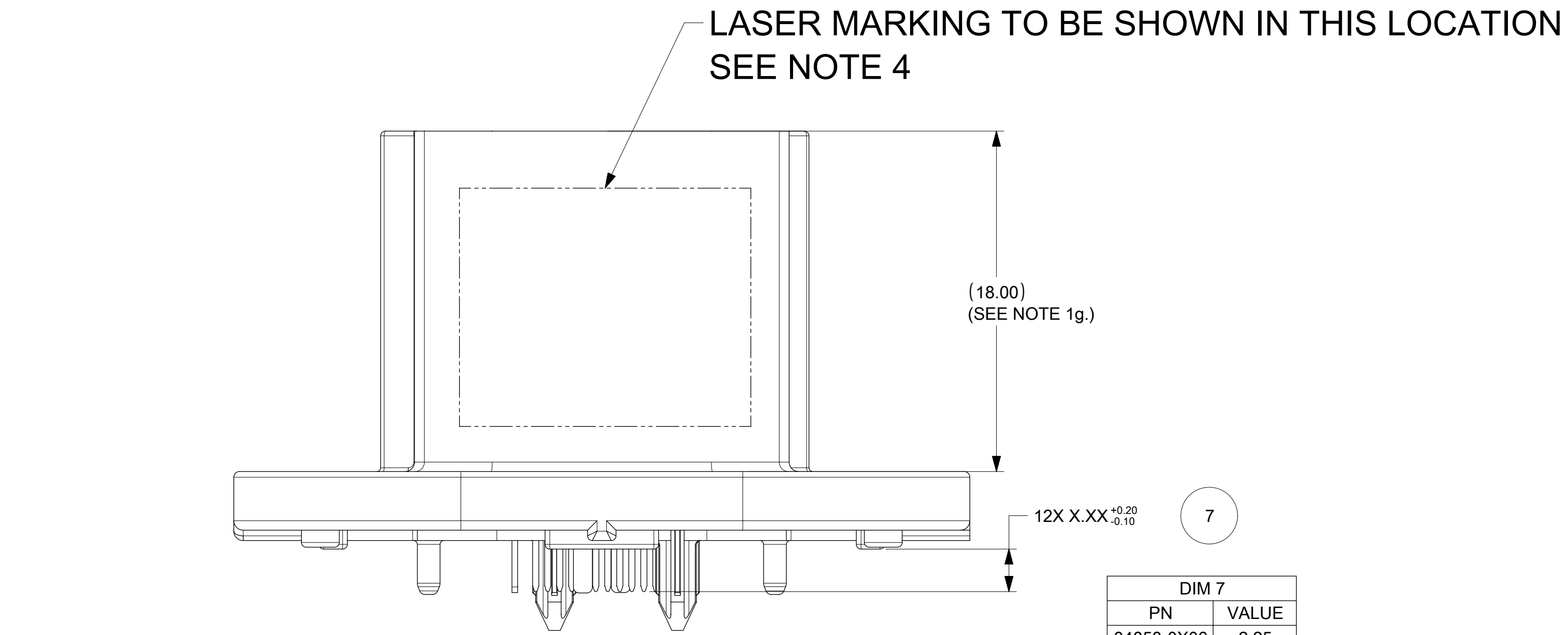
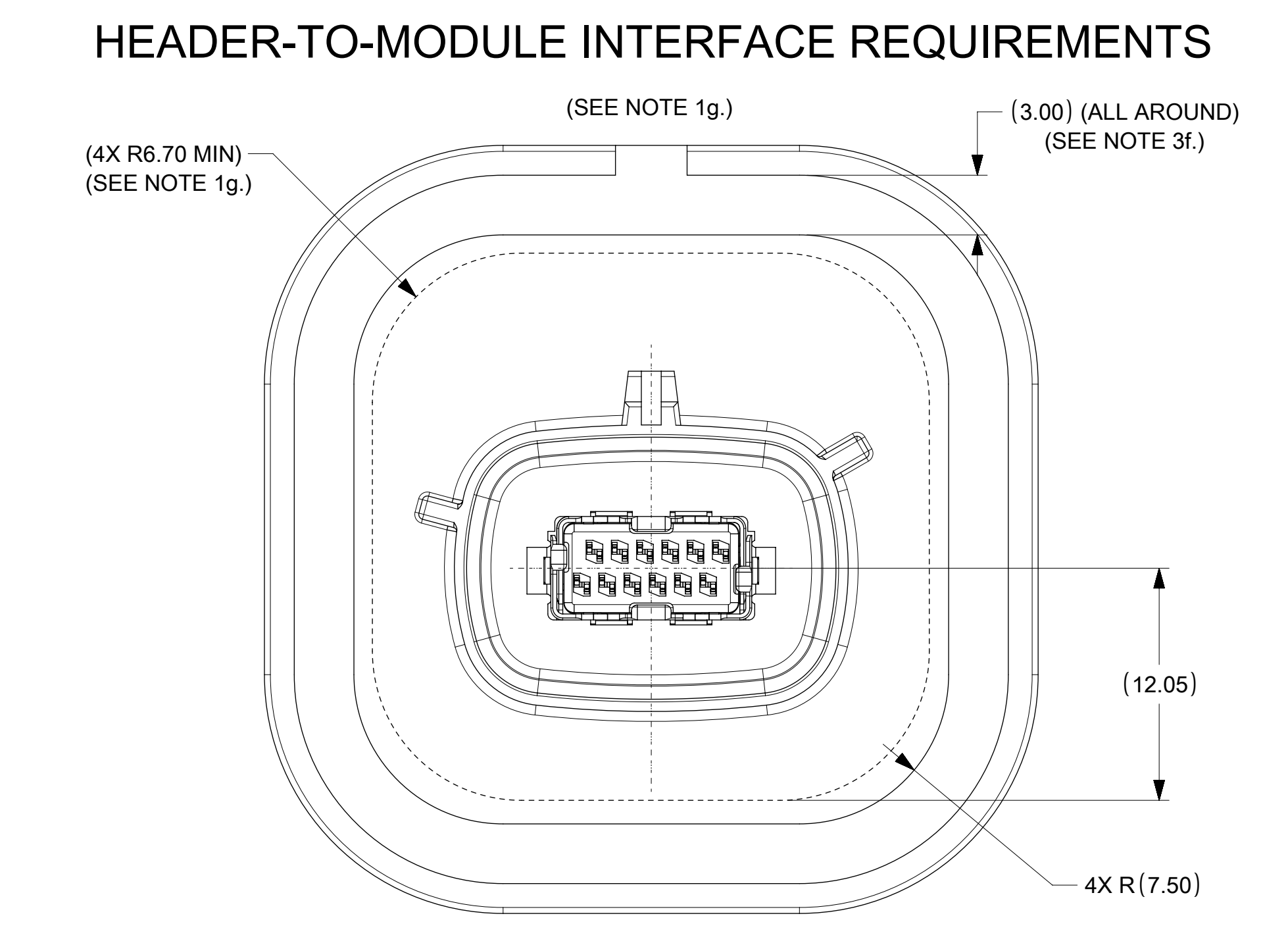
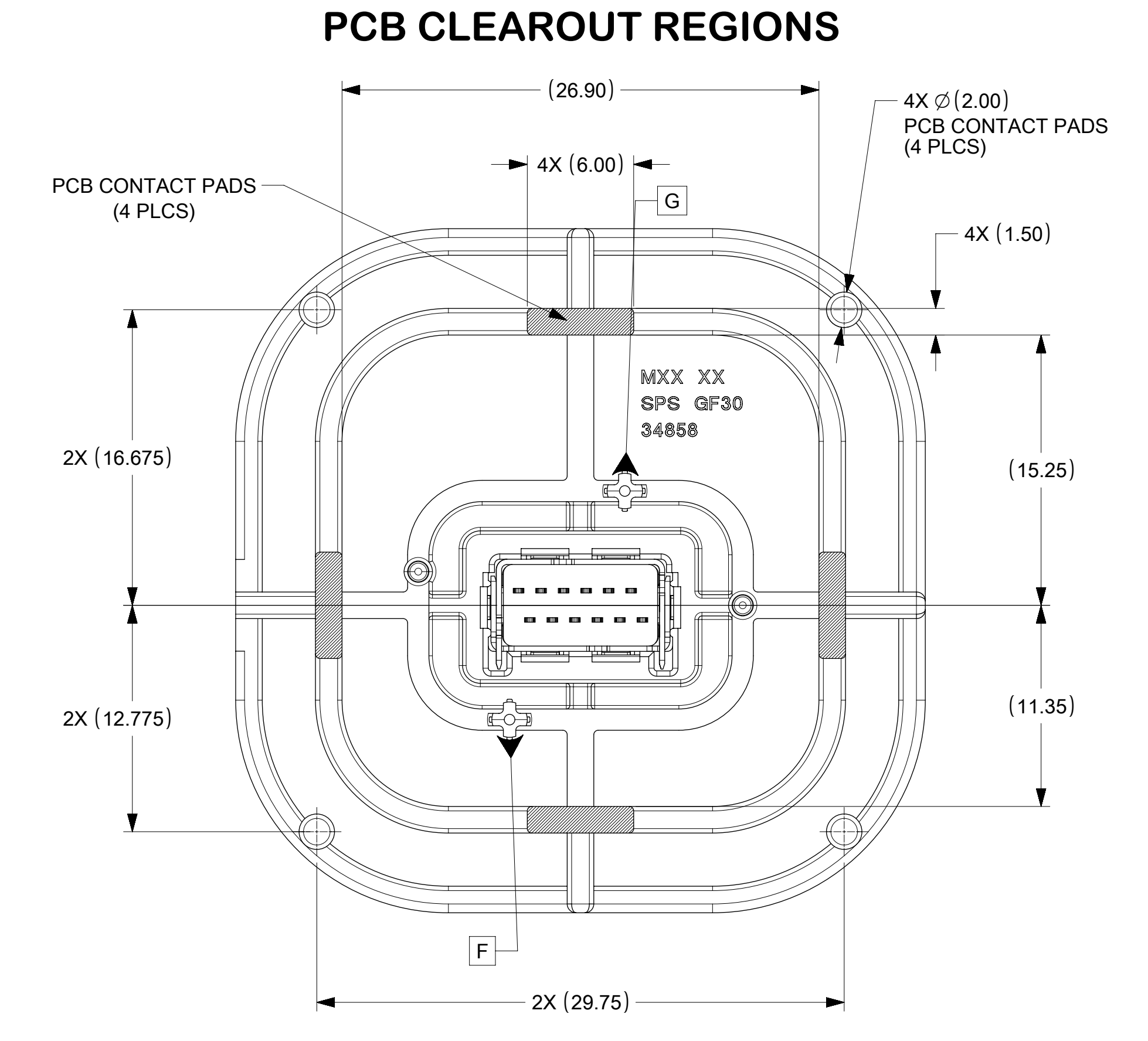
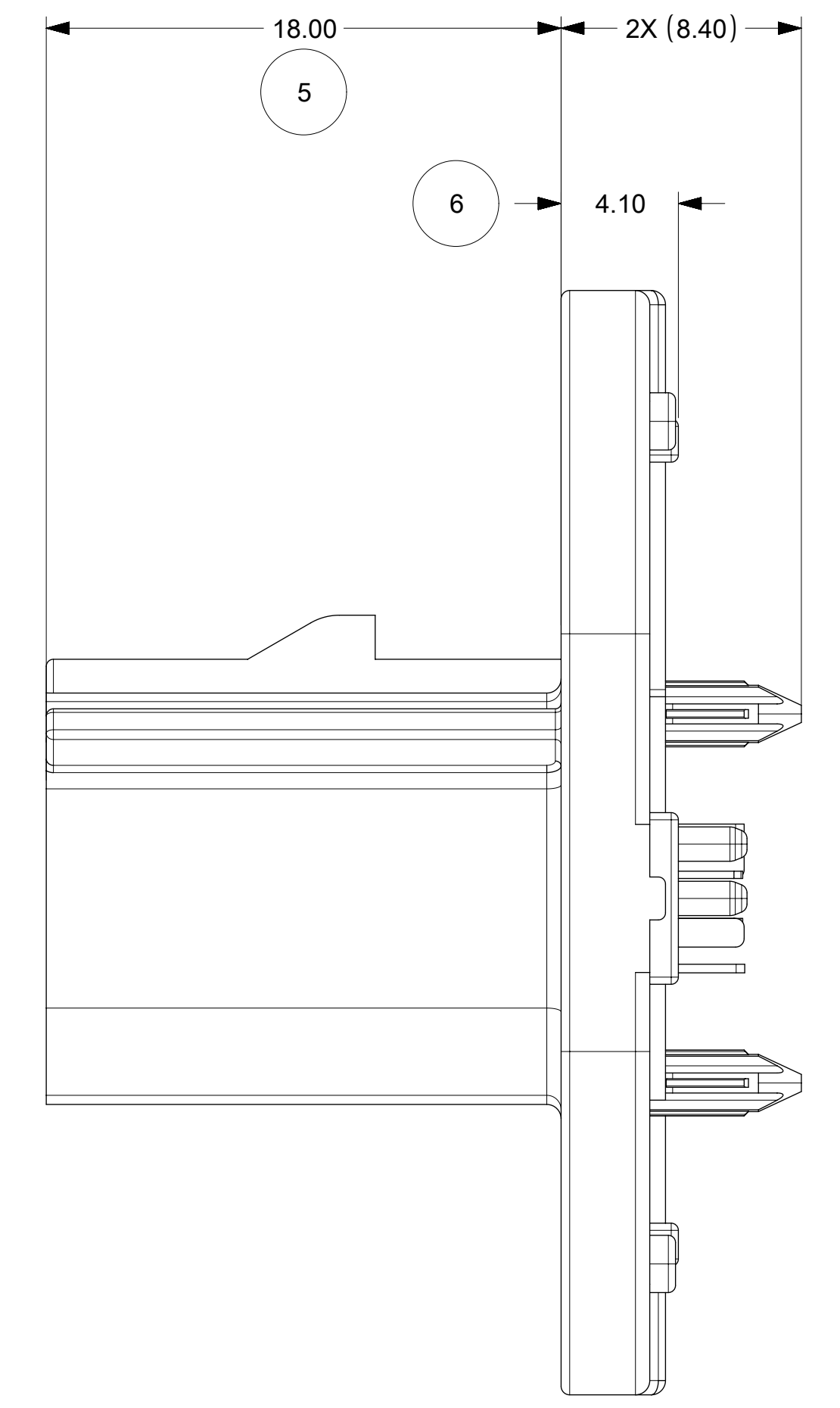
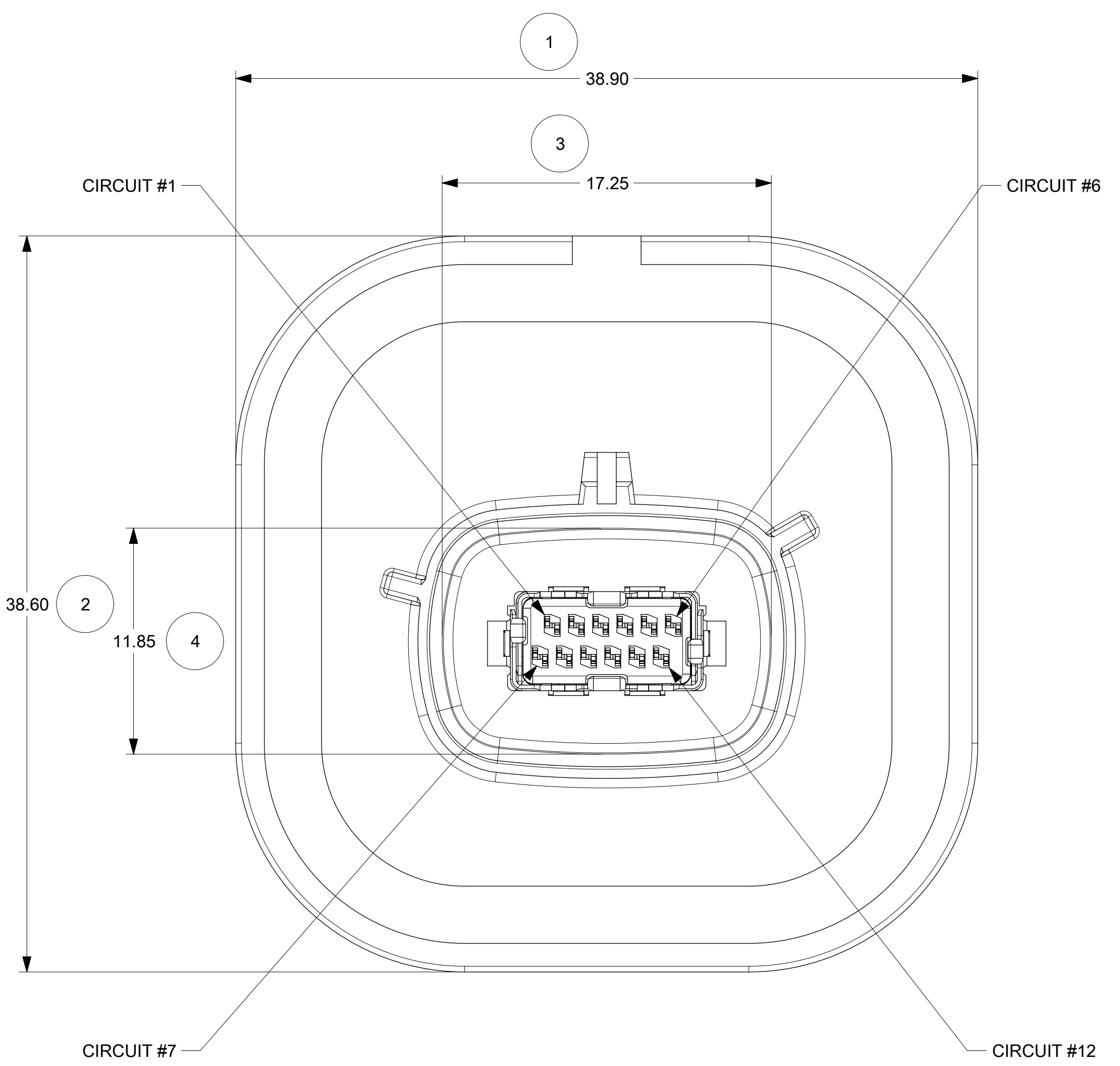
**34858-07X6**  
**KEY OPTION 'C'**  
**COLOR: BROWN**



**34858-08X6**  
**KEY OPTION 'D'**  
**COLOR: GREEN**

- NOTES: VALID UNLESS OTHERWISE SPECIFIED
- GENERAL:
    - APPLICATION SPECIFICATION: AS-111149-001
    - PRODUCT SPECIFICATION: PS-111149-001
    - PACKAGING SPECIFICATION PER MOLEX DRAWING: PK-31301-766
    - PARTS MUST BE IN COMPLIANCE TO THE CURRENT VERSION OF THE MOLEX CHEMICAL SUBSTANCES FOR PRODUCTS AND PACKAGING SPECIFICATION
    - DATA MUST BE SUBMITTED UNDER THE MOLEX PART NUMBER TO IMDS (COMPANY ID#13255)
    - PCB TO BE FR4 0.062" (1.52mm) THICK
    - MATING CONNECTOR MINIMUM CLEARANCE: REGION TO REMAIN CLEAR OF MODULE COMPONENTS, ADHESIVE, DEBRIS, ETC.
    - APPLICABLE SEALANT TO BE USED: LOCTITE 5910
  - DESIGN - MATERIALS:
    - HEADER HOUSING : SPS GF30
    - TERMINALS - COPPER ALLOY  
OVERMOLDING - LCP GF30  
MATE-SIDE PLATING: SELECTIVE GOLD OVER NICKEL  
PCB-SIDE PLATING: TIN OVER NICKEL
    - BISCUIT - SPS GF30
    - SHIELDS - COPPER ALLOY  
PLATING - TIN OVER NICKEL
  - DESIGN - GEOMETRY:
    - ALL GRAPHIC DATA IS BASIC (NO TOLERANCE) AND MUST BE TAKEN FROM THE DATA FILE AT ITS LATEST REVISION.
    - N/A
    - GEOMETRIC DIMENSIONS AND TOLERANCES PER ASME Y14.5M-2009
    - EDGES AND UNDIMENSIONED DETAILS PER ISO13715
    - CORNERS SHOWN AS SHARP TO BE R 0.2 MAX.
    - MODULE MOUNTING SURFACE, SEALANT TO BE APPLIED TO THIS REGION ONLY. PARTING LINES ARE PRESENT ON THE SURFACES
  - LASER MARKING TO BE MARKED WITH HUMAN READABLE CODE (HRC)  
-PERMANENTLY APPLIED ON THE PART WITH 1.5mm LETTER SIZE  
-INFORMATION TO BE PRINTED  
5 DIGIT JULIAN MANUFACTURING DATE STAMP YYDD

THIS DRAWING CONTAINS INFORMATION THAT IS PROPRIETARY TO MOLEX ELECTRONIC TECHNOLOGIES, LLC AND SHOULD NOT BE USED WITHOUT WRITTEN PERMISSION									
EC NO: 113381 DRWN: ZDEDMON CHKD: DGILKEY REV APPR: DNAYLIS	2017/11/07	GENERAL TOLERANCES (UNLESS SPECIFIED)	DIMENSION UNITS	SCALE	<p>12 CKT HSAUTOLINK II VERT SEALED HEADER ASSEMBLY</p> <p>PRODUCT CUSTOMER DRAWING</p> <p>SERIES: 34858 MATERIAL NUMBER: 000 CUSTOMER: GENERAL MARKET</p> <p>DOCUMENT NUMBER: SD-34858-001 DOC TYPE: PSD DOC PART SHEET NUMBER: 1 OF 3</p>				
	2017/11/29	ANGULAR TOL ± 1.0 °	mm	5:1					
	2018/01/03	4 PLACES ±	DRWN BY	DATE					
		3 PLACES ±	CDILLON	2014/03/25					
		2 PLACES ± 0.13	CHKD BY	DATE					
	1 PLACE ± 0.25	DGILKEY	2017/11/29						
	0 PLACES ±	APPR BY	DATE						
	DRAFT WHERE APPLICABLE MUST REMAIN WITHIN DIMENSIONS	DNAYLIS	2018/01/03						
		DRAWING SIZE	THIRD ANGLE PROJECTION						
		D							



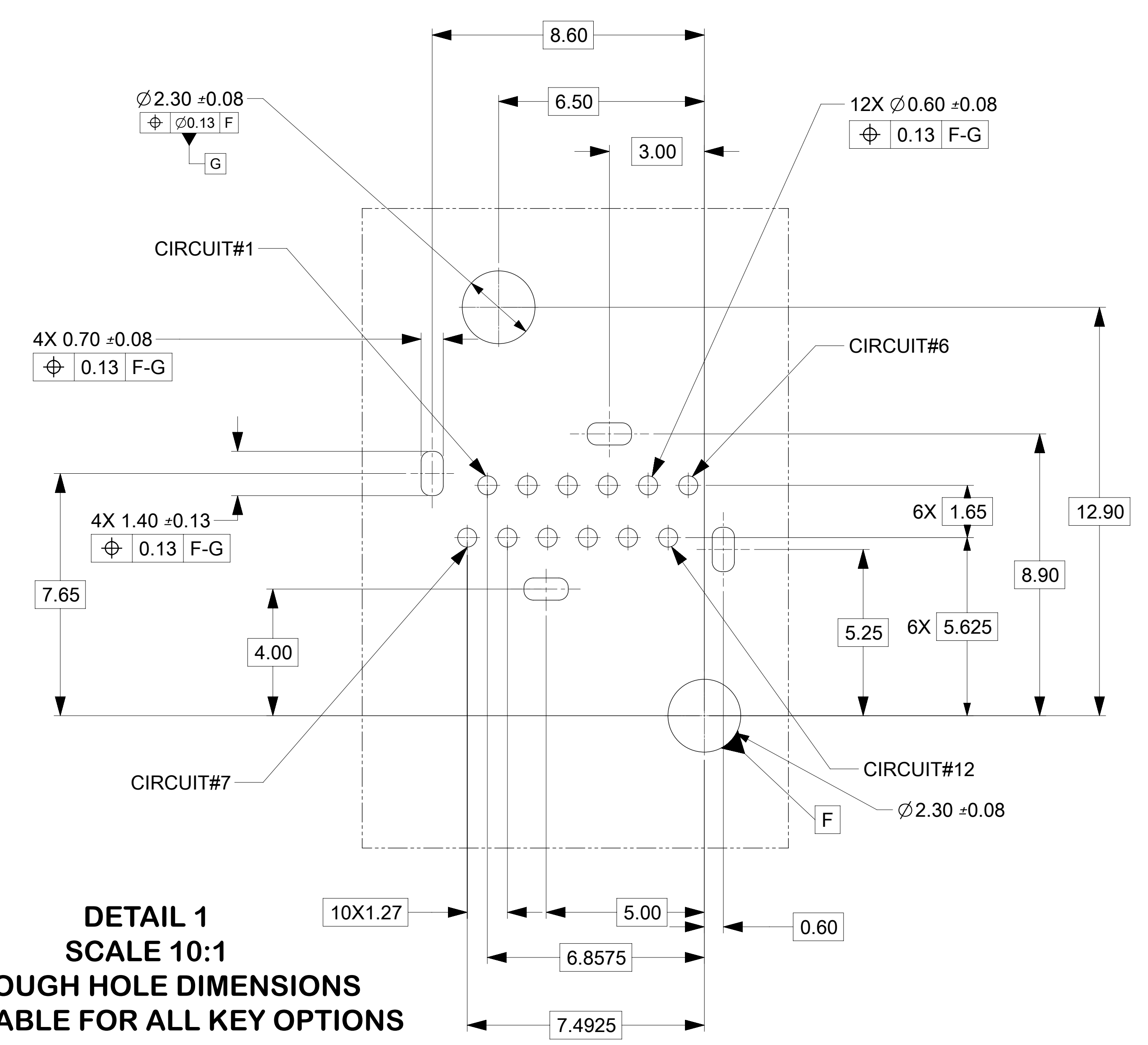
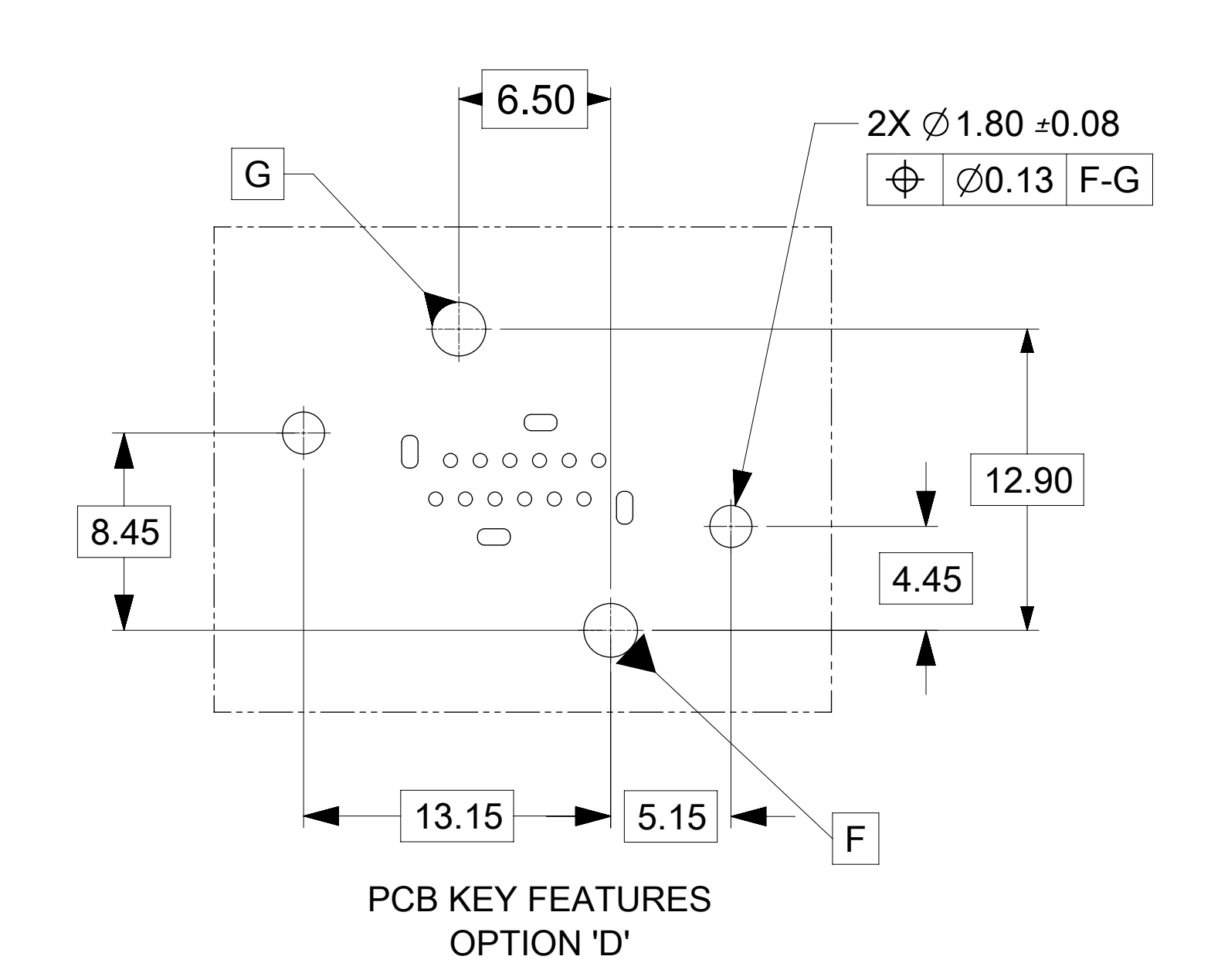
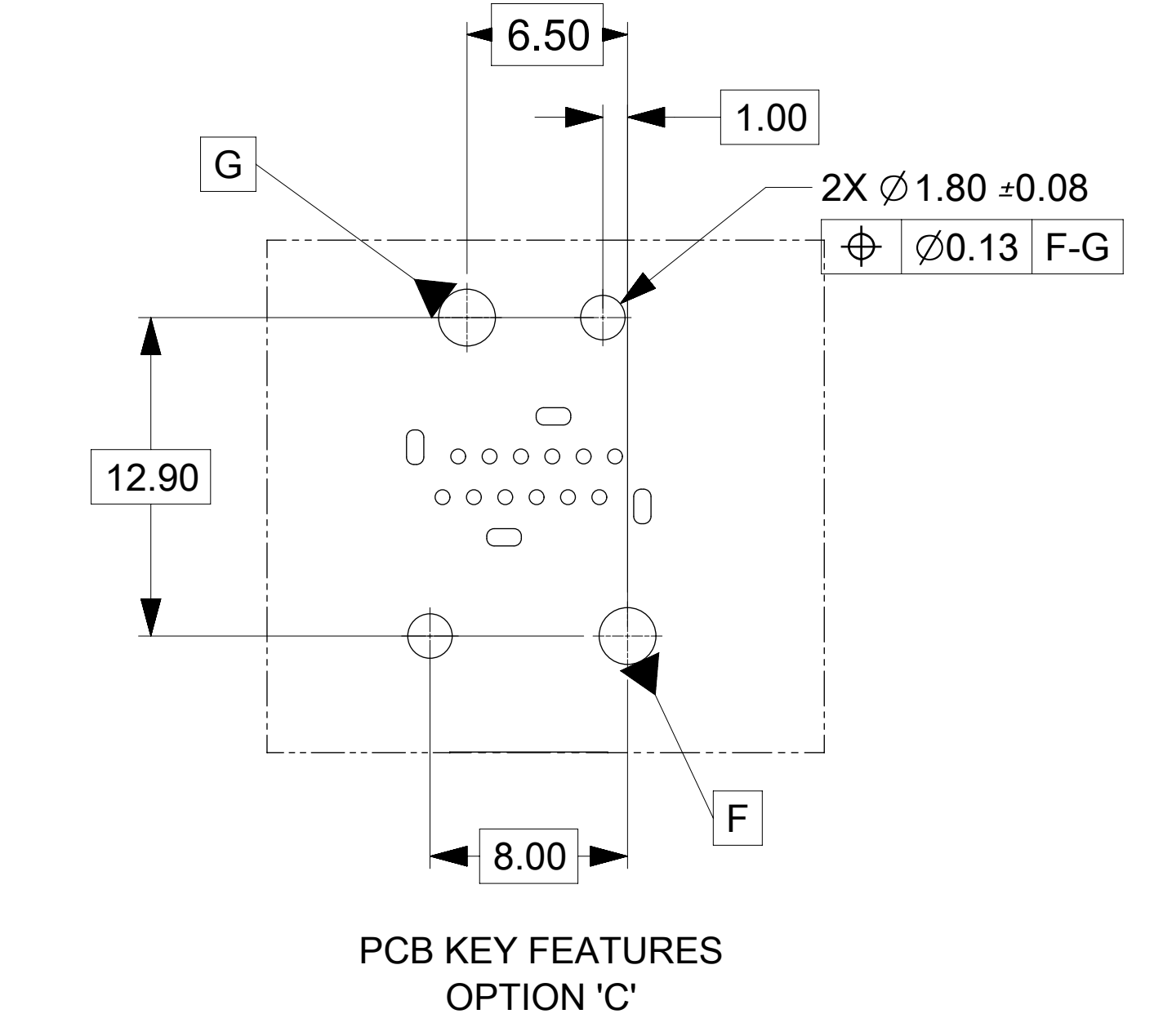
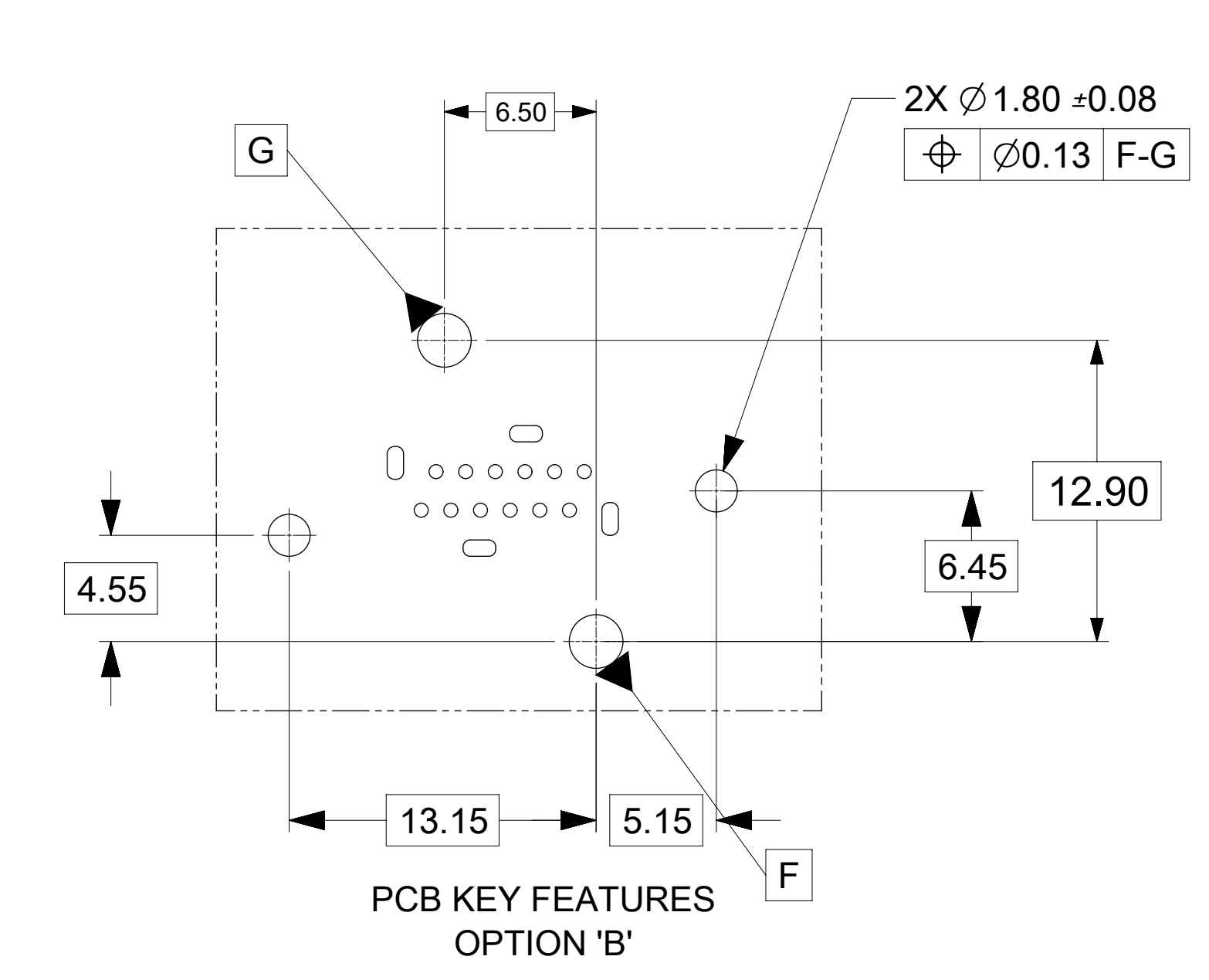
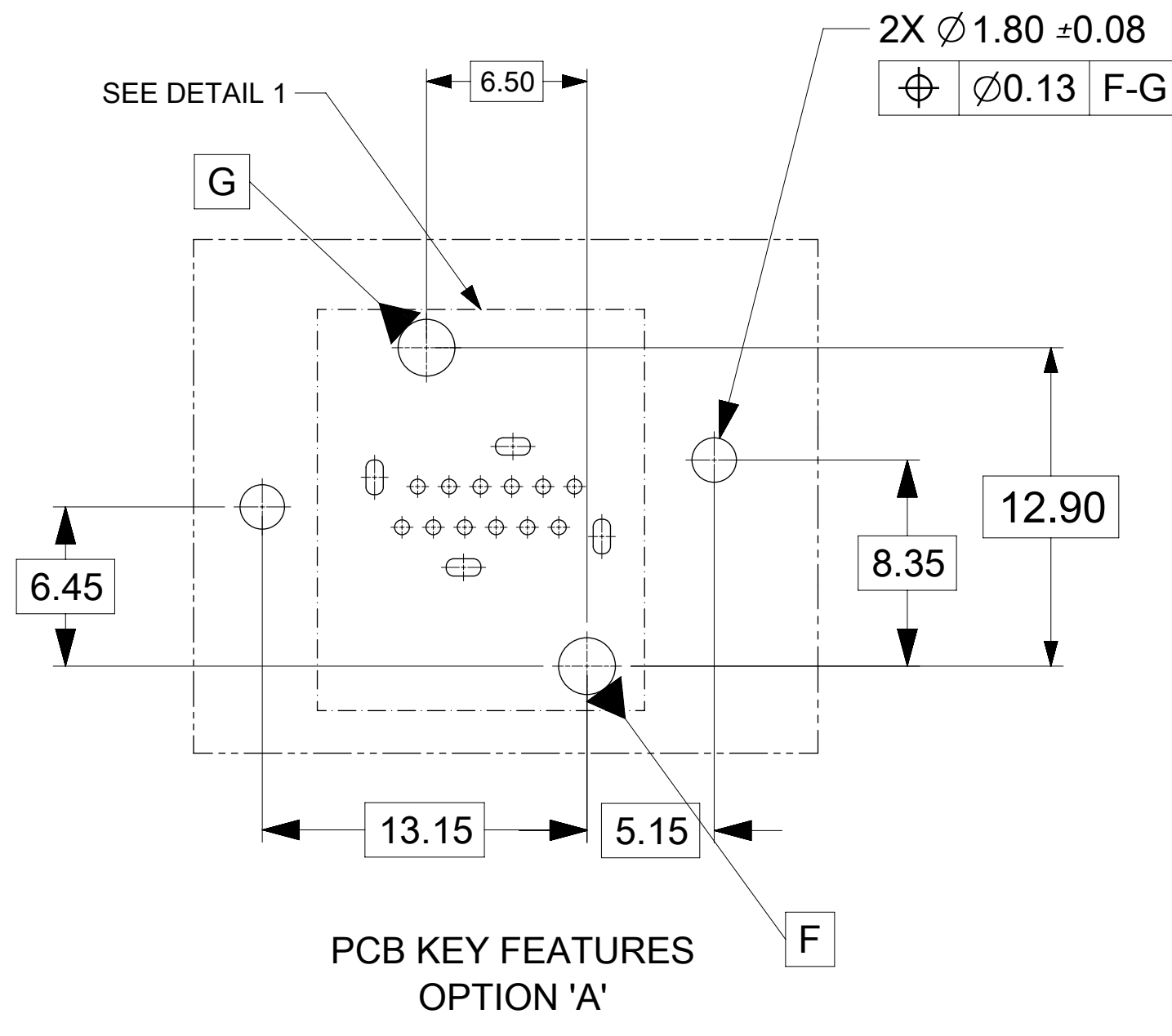
DIM 7	
PN	VALUE
34858-0X06	2.25
34858-0X16	1.75

THIS DRAWING CONTAINS INFORMATION THAT IS PROPRIETARY TO MOLEX ELECTRONIC TECHNOLOGIES, LLC AND SHOULD NOT BE USED WITHOUT WRITTEN PERMISSION

EC NO: 113381 DRWN: ZDEDMON CHKD: DGILKEY REV APPR: DNAYLIS	2017/11/07	GENERAL TOLERANCES (UNLESS SPECIFIED)	DIMENSION UNITS	SCALE	
	2017/11/29	ANGULAR TOL ± 1.0 °	mm		
	2018/01/03	4 PLACES ±	DRWN BY	DATE	
		3 PLACES ±	CDILLON	2014/03/25	
	2 PLACES ± 0.13	CHKD BY	DATE		
	1 PLACE ± 0.25	DGILKEY	2017/11/29		
	0 PLACES ±	APPR BY	DATE		
		DNAYLIS	2018/01/03		
		DRAFT WHERE APPLICABLE MUST REMAIN WITHIN DIMENSIONS	DRAWING SIZE	THIRD ANGLE PROJECTION	
			D		
					SERIES
					34858
					MATERIAL NUMBER
					SD-34858-001
					CUSTOMER
					GENERAL MARKET
					DOCUMENT NUMBER
					PSD
					DOC PART
					000
					SHEET NUMBER
					2 OF 3

RELEASE STATUS	P1	RELEASE DATE	03.01.2018	17:59:55
----------------	----	--------------	------------	----------

# PCB LAYOUT - HEADER SIDE PCB



**DETAIL 1**  
**SCALE 10:1**  
**THROUGH HOLE DIMENSIONS**  
**APPLICABLE FOR ALL KEY OPTIONS**

THIS DRAWING CONTAINS INFORMATION THAT IS PROPRIETARY TO MOLEX ELECTRONIC TECHNOLOGIES, LLC AND SHOULD NOT BE USED WITHOUT WRITTEN PERMISSION											
EC NO: 113381 DRWN: ZDEDMON CHKD: DGILKEY REV APPR: DNAYLIS	2017/11/07	GENERAL TOLERANCES (UNLESS SPECIFIED)		DIMENSION UNITS	SCALE	<p>12 CKT HSAUTOLINK II VERT SEALED HEADER ASSEMBLY</p> <p>PRODUCT CUSTOMER DRAWING</p> <p>SERIES: 34858 MATERIAL NUMBER: CUSTOMER: GENERAL MARKET</p> <p>DOCUMENT NUMBER: SD-34858-001 DOC TYPE: PSD DOC PART: 000 SHEET NUMBER: 3 OF 3</p>					
	2017/11/29	ANGULAR TOL $\pm 1.0^\circ$		mm							
	2018/01/03	4 PLACES $\pm$	CDILLON	DATE	2014/03/25						
		3 PLACES $\pm$	CHKD BY	DATE							
		2 PLACES $\pm 0.13$	DGILKEY	DATE	2017/11/29						
		1 PLACE $\pm 0.25$	APPR BY	DATE							
	0 PLACES $\pm$	DNAYLIS	DATE	2018/01/03							
	DRAFT WHERE APPLICABLE MUST REMAIN WITHIN DIMENSIONS		DRAWING SIZE	THIRD ANGLE PROJECTION							
C1			D								