

Artikelnummer part number	Maß "G" dimension "G"	Maß "H" dimension "H"	Maß "J" dimension "J"	Maß "K" dimension "K"	Polzahl "P" pin number "P"	Maß "L" dimension "L"	Maß "M" dimension "M"
406-53112-51	4,00	8,90	9,88	3,20	12	6,90	1,60
406-53120-51	7,20	12,10	13,08	6,40	20	10,10	3,20
406-53132-51	12,00	16,90	17,88	11,20	32	14,90	5,60
406-53152-51	20,00	24,90	25,88	19,20	52	22,90	9,60
406-53180-51	31,20	36,10	37,08	30,40	80	34,10	15,20

Bemerkungen:

Werkstoffe
 Isolierkörper: LCP UL94 V-0
 Signalkontakt: Kupferlegierung
 Board-Lock: Kupferlegierung
Kontaktoberflächen
 Anforderungsstufe 1 (min. 500 Steckzyklen)

Notes:

Material
 Insulator: LCP UL94 V-0
 Signal-Contact: Copper Alloy
 Board-Lock: Copper Alloy
Contact Surface
 Performance Level 1 (min. 500 mating cycles)

Technische Änderungen vorbehalten / all data subject to amendment without notice

Werkstoff / Material:		Allgemeintoleranz / General tolerances		Maßstab / Scale: 10:1	
		Toleranzgrundriss / Fundamental tolerancing principle DIN ISO 8015		A2	
		Datum / Date		Name / Name	
		31.10.2018		S. Scholl	
		Stp./step			
				Benennung / Description	
				Zero8 socket straight 7.85 shield 12 - 80 pin	
				Zeichnungsnummer / Drawing number	
				406-531XX-5X	
00 Version / Version		01 Änderung / Revision		31.10.2018 Datum / Date	
				S. Scholl Name / Name	
				ept ept GmbH www.ept.de	
				Blatt / Sheet 1/2	
				Status / Status C	

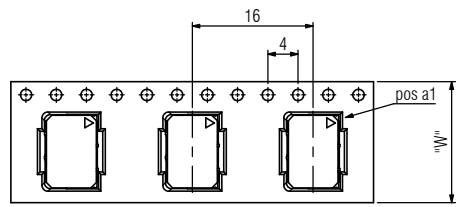
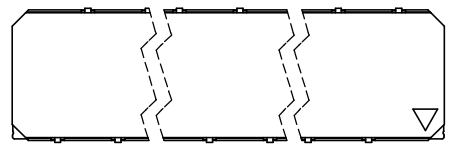
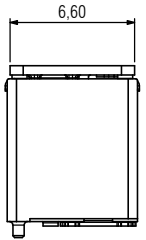
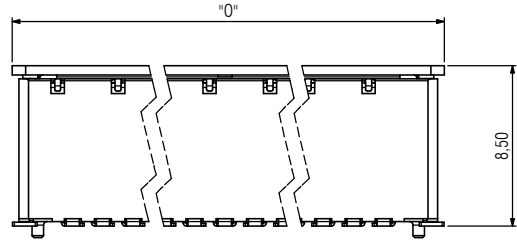
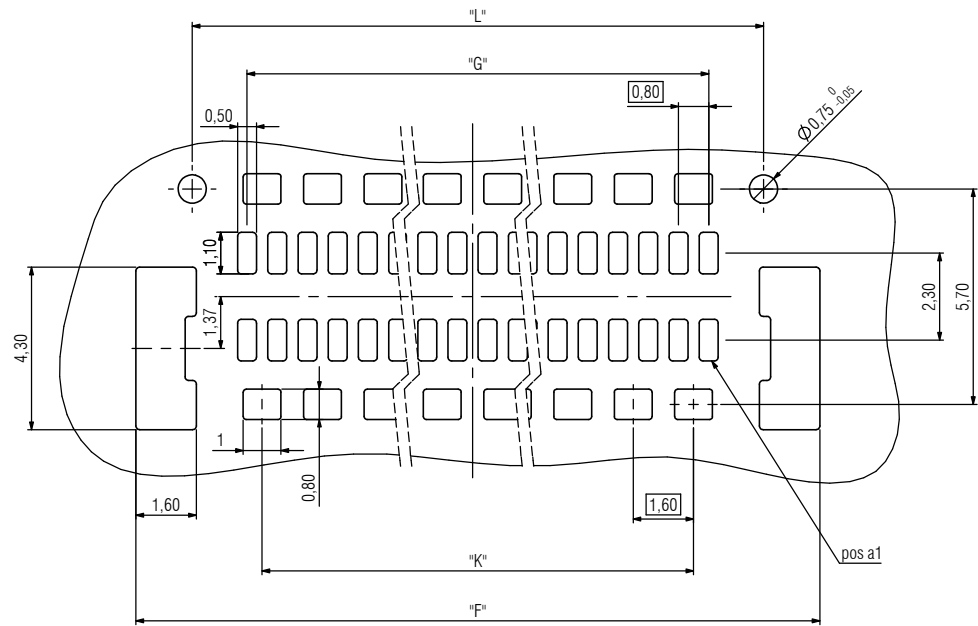
© The reproduction, distribution and utilization of this document, as well as the communication of its contents without express authorization is prohibited. Offenders will be held liable for the payment of damages. All rights reserved in the event of the grant of a patent, utility model or design.

© The rights and the reproduction of this document, as well as the communication of its contents without express authorization is prohibited. Offenders will be held liable for the payment of damages. All rights reserved in the event of the grant of a patent, utility model or design.

© The reproduction, distribution and utilization of this document, as well as the communication of its contents to others without express authorization is prohibited. Offenders will be held liable for the payment of damages. All rights reserved in the event of the grant of a patent, utility model or design.

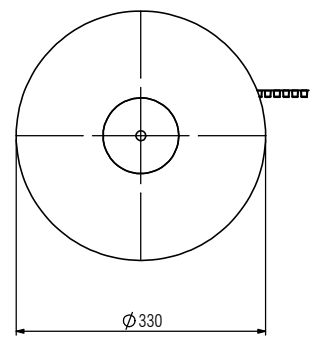
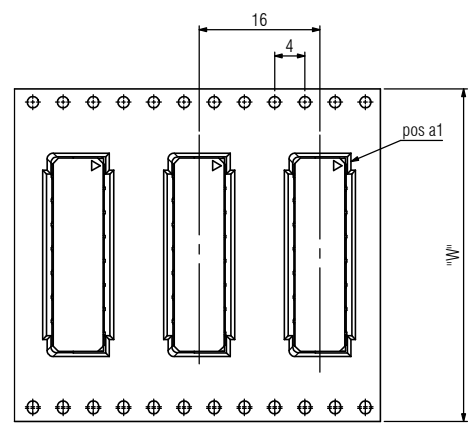
© Maßstab sowie Vergrößerung dieses Dokuments, Vervielfältigung und Verbreitung, soweit nicht ausdrücklich gestattet, Zuwiderhandlungen verpflichten zu Schadenersatz. Alle Rechte für den Fall der Patent-, Gebrauchsmuster- oder Geschmacksmustervereinbarung vorbehalten.

Empfehlung Leiterplatten-Layout / recommendation PCB-Layout



Abspulrichtung
Reel of direction →

Gurtverpackung / Tape on Reel



Artikelnummer part number	Polzahl "P" pin number "P"	Maß "F" dimension "F"	Maß "G" dimension "G"	Maß "L" dimension "L"	Maß "K" dimension "K"	Maß "O" dimension "O"	Maß "W" dimension "W"
406-53112-51	12	9,88	4,00	6,90	3,20	9,60	16
406-53120-51	20	13,08	7,20	10,10	6,40	12,80	24
406-53132-51	32	17,88	12,00	14,90	11,20	17,60	32
406-53152-51	52	25,88	20,00	22,90	19,20	25,60	44
406-53180-51	80	37,08	31,20	34,10	30,40	36,80	56

Technische Änderungen vorbehalten / all data subject to amendment without notice

Bemerkungen:

Verpackung nach DIN EN 60286-3 and EIA-481
Stück je Rolle: 250
Notes:
Packaging is defined in DIN EN 60286-3 and EIA-481
Parts per reel: 250

Werkstoff / Material:		Allgemeintoleranz / General tolerances:		Maßstab / Scale: 10:1	
		Toleranzgrundsatz / Fundamental tolerancing principle: DIN ISO 8015		A2	
		Datum / Date: 31.10.2018		Name / Name: S. Schöll	
		Erl./Drawn:		Bemerkung / Description: Zero8 socket straight 7.85 shield 12 - 80 pin	
		Bsp./Exp.:		Zeichnungsnummer / Drawing number: 406-531XX-5X	
OD: next edition		31.10.2018		S. Schöll	
Version / Version:		Änderung / Revision		Datum / Date	
		Name / Name:		www.ept.de	
		ept		ept GmbH	
		ept.de		C	
		Blatt / Sheet: 2 / 2		Status / Status:	