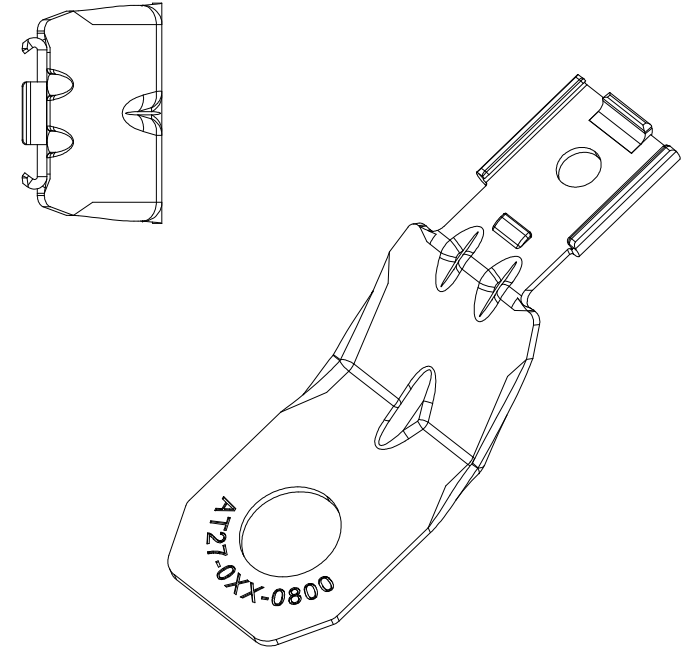
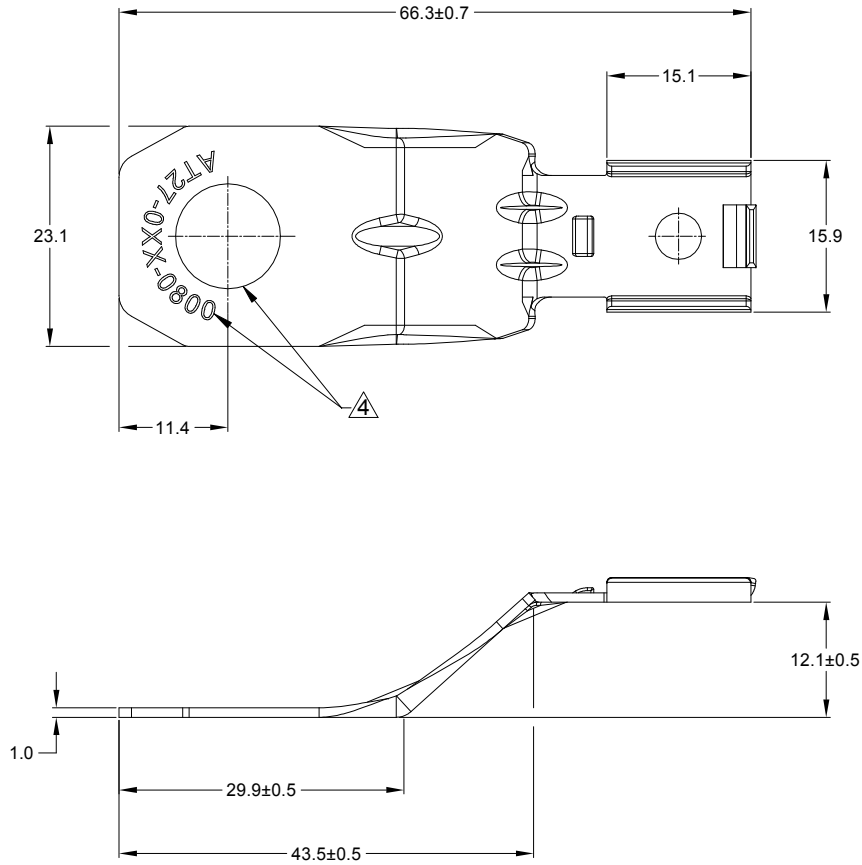


REVISIONS					
REV	ECO	DESCRIPTION	DATE	BY	APPR
A1	-	RELEASE NEW PRODUCT	29/AUG/19	ROOKIE	TOMMY



TITLE: MOUNTING CLIP, 8 POS, AT, METAL  
 DWG NO.: AT27-0XX-0800  
 REV: A1  
 SH: 1  
 OF: 1

NOTES: UNLESS OTHERWISE SPECIFIED

- USE WITH CONNECTORS  
 A. AT04-08P\* (\* =ALL MODIFICATIONS AND/OR COLORS )
- RoHS COMPLIANT
- ALL DIMENSIONS ARE FOR REFERENCE USE ONLY.

**△ PART INFORMATION:**

PART NUMBER	MATERIAL	HOLE DIAMETER
AT27-001-0800	STAINLESS STEEL	11.0mm
AT27-002-0800	STEEL-ZINC PLATED	13.0mm
AT27-006-0800	STAINLESS STEEL	13.0mm
AT27-014-0800	STEEL-ZINC PLATED	8.2mm

SEE TABLE		REF: 1027-001-0800, 1027-002-0800, 1027-006-0800, 1027-014-0800	
QUANTITY	PART NUMBER	DESCRIPTION	ITEM
<b>MATERIALS LIST</b>			
<b>UNLESS OTHERWISE SPECIFIED</b> 1) All dimensions are in metric (mm). 2) Tolerances are as follows: 1 PL DEC ±0.30 2 PL DEC ±0.15 3 PL DEC ±0.08 Fractions ±1/64 Angles ±1° 3) Note reference = △		<b>SINE Systems Corporation</b> A Subsidiary of Amphenol Corporation 44724 Morley Drive Clinton Township, MI 48036	
MATERIAL SPECIFICATIONS: PROCESS SPECIFICATIONS: NEXT ASSY:		SIGNATURES: DRAWN: ROOKIE 29/AUG/19 CHECKED: ORONLI 29/AUG/19 ENGINEER: APPROVAL: TOMMY XIE 29/AUG/19 CUSTOMER:	
THIS DRAWING IS SUPPLIED FOR INFORMATION ONLY. DESIGN FEATURES, SPECIFICATIONS AND PERFORMANCE DATA SHOWN HEREON ARE THE PROPERTY OF THE AMPHENOL CORPORATION. NO RIGHTS OF REPRODUCTION ARE IMPLIED. ALL DIMENSIONS ARE SUBJECT TO NORMAL MANUFACTURING VARIATIONS.		SIZE: B PSCM NO.: DWG NO.: AT27-0XX-0800 REVISION: A1	
SCALE: NONE		SHEET 1 OF 1	