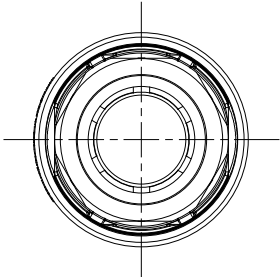
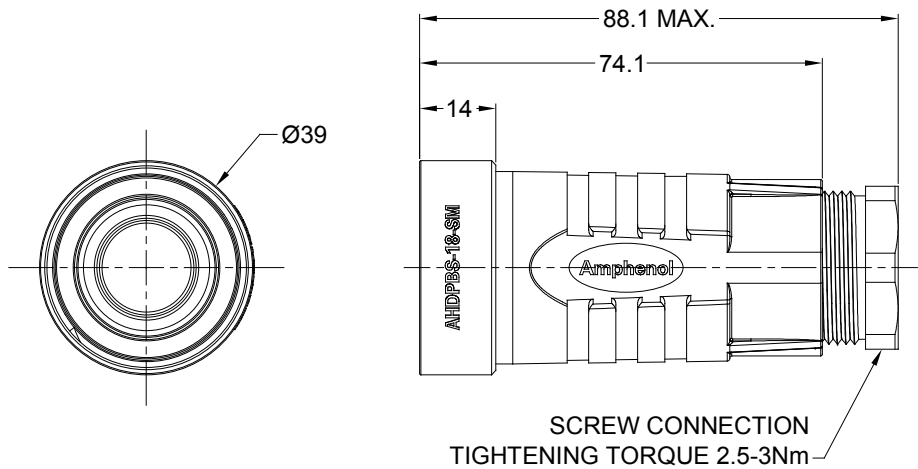
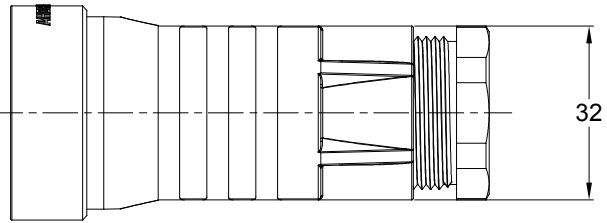
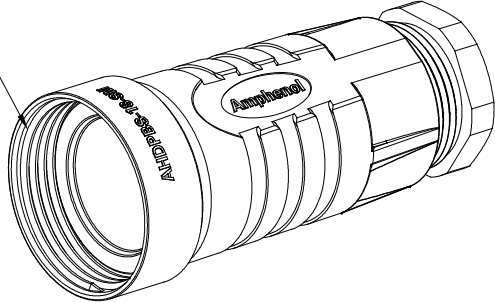


REVISIONS					
REV	ECO	DESCRIPTION	DATE	BY	APPR
01		PRELIMINARY DRAWING	15MAY19	SULLEN	TOMMY
02		UPDATE DRAWING	06AUG19	SULLEN	TOMMY
03		ADD PART NUMBER	16AUG19	SULLEN	TOMMY



1 7/16-12 UN-2B
THREAD



REAR RUBBER RING ID	CABLE OD RANGE
Ø16.5MM	Ø12.0-16.0MM

NOTES: UNLESS OTHERWISE SPECIFIED

- 1. MATERIAL:
BACK SHELL: THERMOPLASTIC
RUBBER RING: SILICONE RUBBER
CAGE CLAMP: THERMOPLASTIC
PRESSURE NUT: THERMOPLASTIC
- 2. COLORS: BLACK
- 3. RoHS COMPLIANT
- 4. USE WITH SIZE 18 AHDP SERIES WTA MODIFICATION
- 5. ALL DIMENSIONS ARE FOR REFERENCE USE ONLY.

AHDPBS-18-SM01		DESCRIPTION		ITEM	
PART NUMBER		DESCRIPTION		ITEM	
QUANTITY	MATERIALS LIST				
UNLESS OTHERWISE SPECIFIED 1) All dimensions are in metric(mm). 2) Tolerances are as follows: 1 PL DEC ±0.30 Fractions ±1/64 2 PL DEC ±0.15 Angles ±1° 3 PL DEC ±0.08 3) Note reference = \triangle X		SIGNATURES	DATE	<h1 style="text-align: center;">Amphenol</h1> <p style="text-align: center;">Sine Systems - www.amphenol-sine.com 44724 Morley Drive Clinton Township, MI 48036</p> <p style="text-align: center;">BACKSHELL, SIZE 18, AHDP</p>	
MATERIAL SPECIFICATIONS:		DRAWN: SULLEN.ZHANG	16AUG19		
PROCESS SPECIFICATIONS:		CHECKED: ORION.LI	16AUG19		
NEXT ASSY:		ENGINEER:			
		APPROVAL: TOMMY.XIE	16AUG19		
		CUSTOMER:			
		THIS DRAWING IS SUPPLIED FOR INFORMATION ONLY. DESIGN FEATURES, SPECIFICATIONS AND PERFORMANCE DATA SHOWN HEREON ARE THE PROPERTY OF THE AMPHENOL CORPORATION. NO RIGHTS OF REPRODUCTION ARE IMPLIED. ALL DIMENSIONS ARE SUBJECT TO NORMAL MANUFACTURING VARIATIONS.		SIZE	REVISION
				A C-	03
				DWG NO: AHDPBS-18-SM01	
				SCALE: NONE	SHEET 1 OF 1