

4

3

2

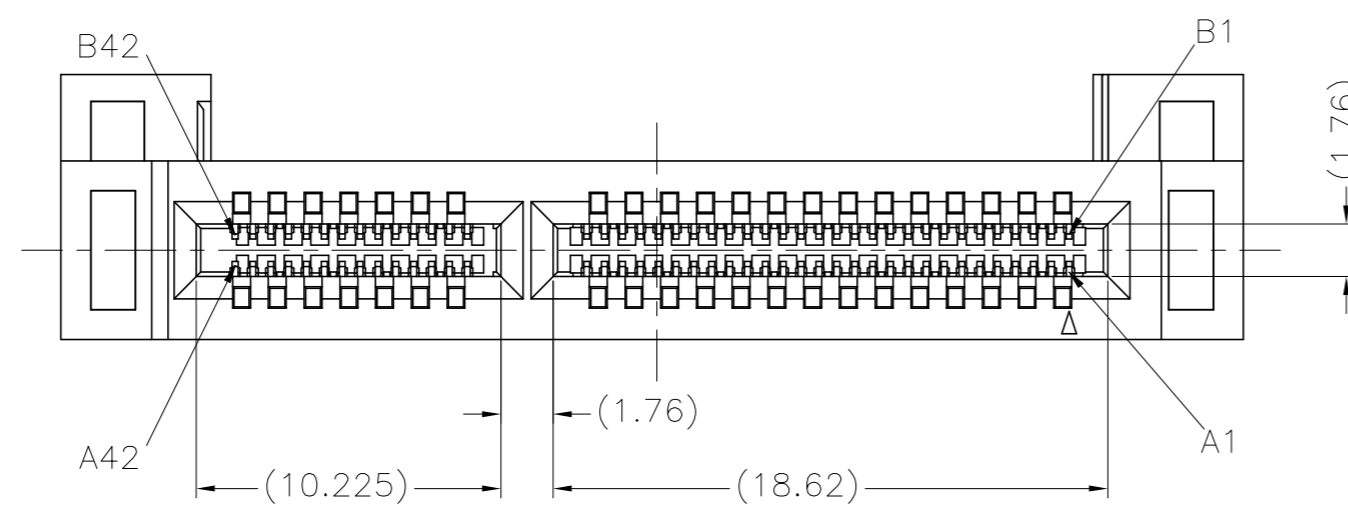
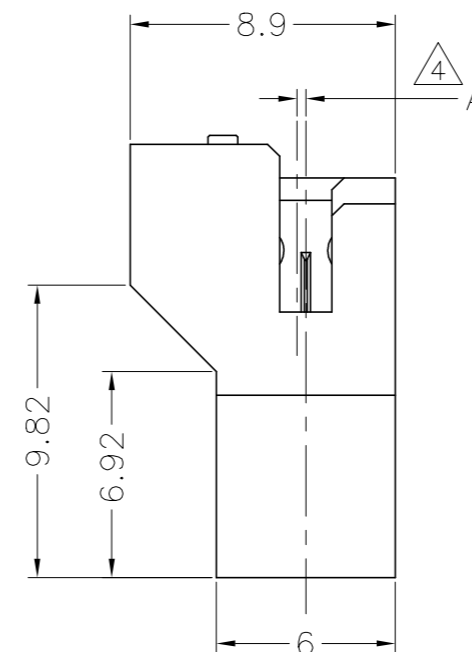
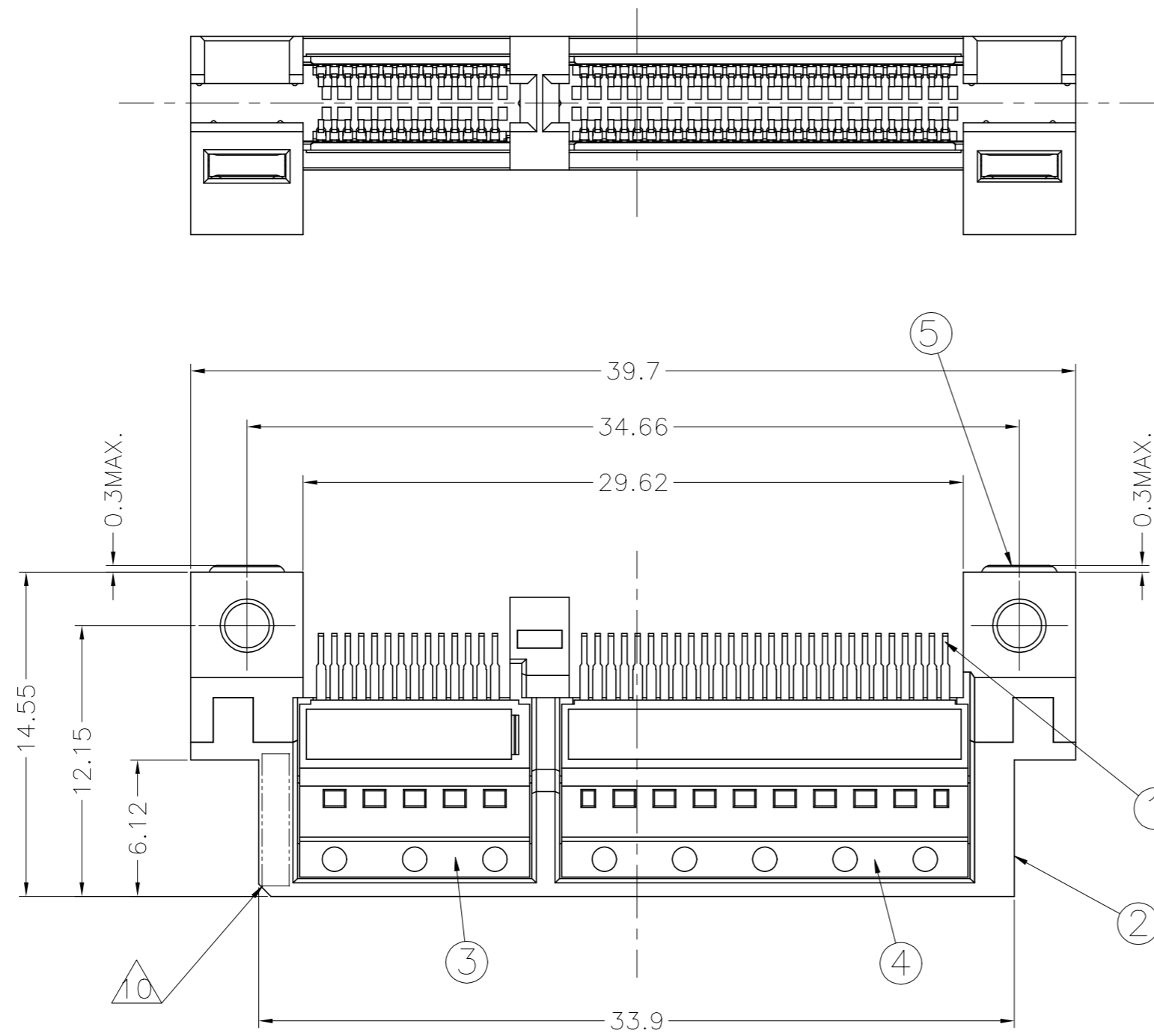
1

THIS DRAWING IS UNPUBLISHED. RELEASED FOR PUBLICATION. ALL RIGHTS RESERVED. © COPYRIGHT - TE Connectivity

REVISIONS					
P	LTR	DESCRIPTION	DATE	DWN	APVD
	A	RELEASED	06NOV2019	J.T	K.K

NOTE

- ① HOUSING AND COVER: LCP, UL94-V0, BLACK.  
CONTACTS: COPPER ALLOY.
- ② GOLD PLATED ON CONTACT AREA.  
TIN PLATE ON SOLDER TAIL AREA.
- ③ APPLICABLE HOST BOARD THICKNESS
- ④ OFFSET AMOUNT BETWEEN AIC BOARD AND HOST BOARD CENTER LINE.
- ⑤ SEE MSA SPECIFICATION FOR ADDITIONAL PADDLE CARD LAYOUTS COMPATIBLE WITH THIS RECEPTACLE AND FOR OPTIONAL SPLIT CONTACT PAD LAYOUTS FOR THE PADDLE CARD. SPECIFICATION PINOUT MAY ALSO DESIGNATE PAD SEQUENCE DIFFERENT FROM ILLUSTRATION.
- ⑥ POSITIONS DESIGNATED AS "SIGNAL" ARE RECOMMENDED LOCATIONS FOR HIGH SPEED DIFFERENTIAL PAIR SIGNALING. THESE LOCATIONS MAY ALSO BE USED FOR SUPPORTING SIDEBAND SIGNALS OR OTHER UTILITY PURPOSES. POSITIONS DESIGNATED AS "GROUND" ARE REQUIRED WHEN SUPPORTING HIGH SPEED DIFFERENTIAL SIGNALS. THESE LOCATIONS MAY ALSO BE USED FOR SIDEBAND SIGNALS OR OTHER UTILITY PURPOSES.
- ⑦ CONTROLLED ACROSS PADS.
- ⑧ THIS LAYOUT IS ADOPTED IN SFF-TA-1002
- ⑨ SCREW IS ENCLOSED BY SEPARATE PACKING.  
SCREW SIZE: M2  
SCREW LENGTH(REF): 6  
HEAD SIZE(REF):  $\phi 3.5$ , 1.3HEIGHT
- ⑩ DATE CODE MARKING.
- ⑪ CONNECTOR MUST BE FIXED ON PCB BY SCREW AFTER SOLDERING.



PLATING	④ DIM A	③ DIM B (HOST BOARD THICKNESS)	PARTS No.
0.76 $\mu$ m Au	0	1.57 $\pm 0.15$	2340326-1

AS SHOWN : - 1

HVM DESIGN

⑩ ⑨	QTY	NAME	ITEM No.
	2	M2 SCREW	
	2	M2 NUT PLATE	⑤
	2	COVER HOUSING 28P	④
	2	COVER HOUSING 14P	③
	1	HOUSING	②
	84	CONTACT	①

THIS DRAWING IS A CONTROLLED DOCUMENT.		DWN M.TANAKA 30JUL2018		
DIMENSIONS: mm		CHK J.TSUJI 30JUL2018		
TOLERANCES UNLESS OTHERWISE SPECIFIED: $\pm 0.3$		APVD K.KOBAYASHI 30JUL2018	NAME 84 POSITION SLIVER 2.0 STRADDLE MOUNT	
0-PLC $\pm$ 1-PLC $\pm$ 2-PLC $\pm$ 3-PLC $\pm$ 4-PLC $\pm$ ANGLES $\pm$		PRODUCT SPEC 108-140197	SIZE A2	
MATERIAL ①		APPLICATION SPEC 114-78033	CAGE CODE 00779	DRAWING NO C=2340326
FINISH ②		WEIGHT 0	SCALE 4:1	SHEET 1 of 4
		CUSTOMER DRAWING	RESTRICTED TO	REV A

2340326

4

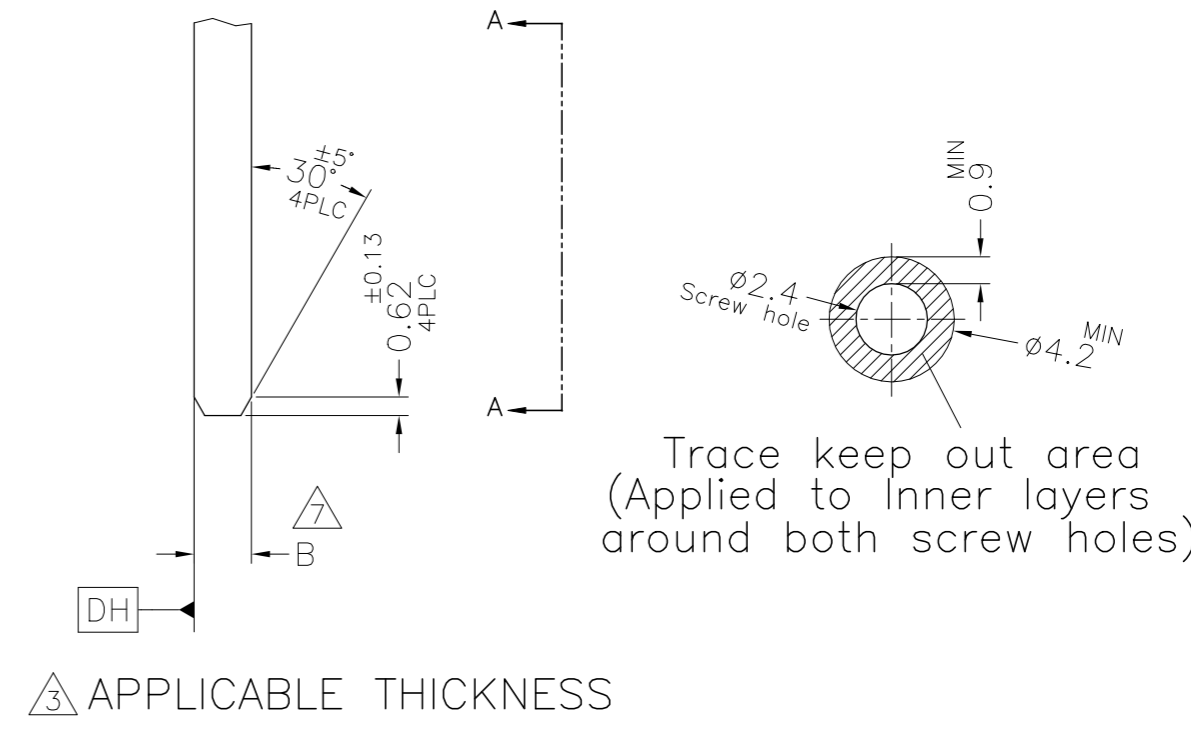
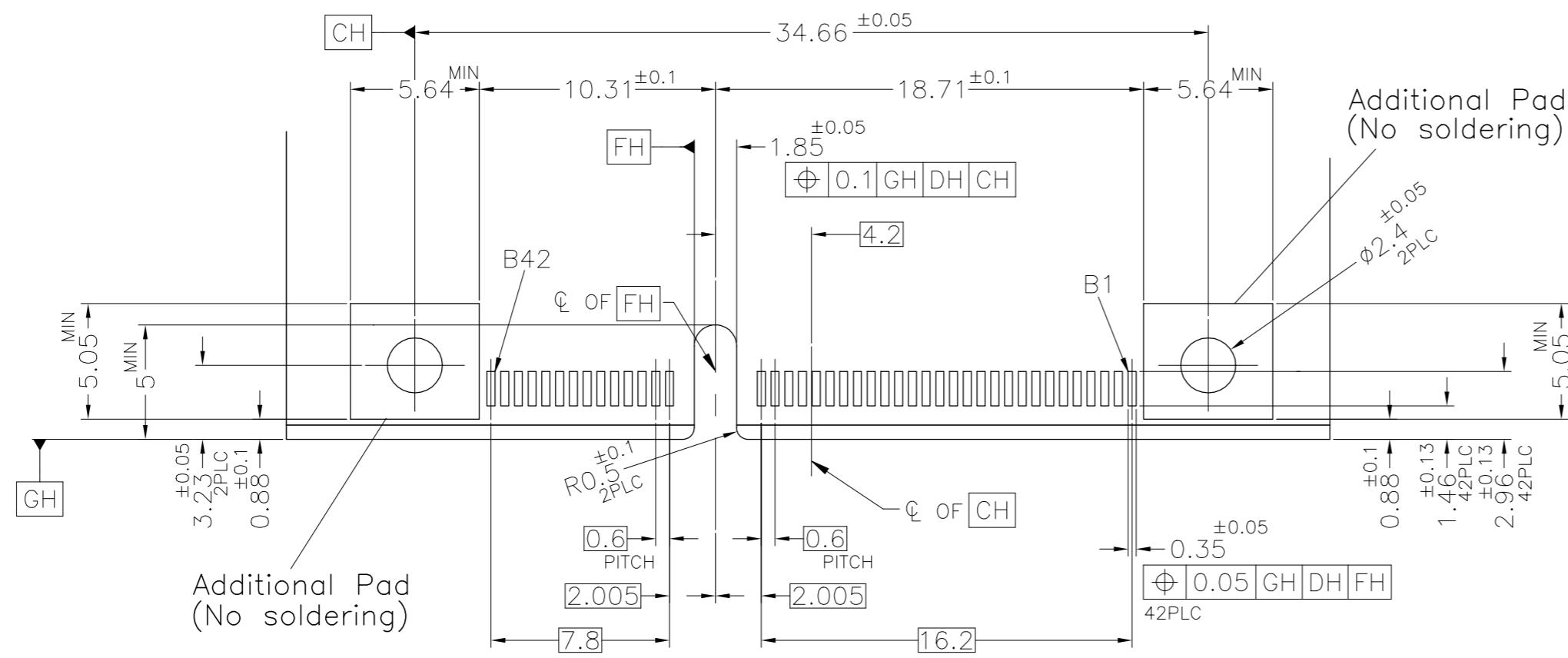
3

2

1

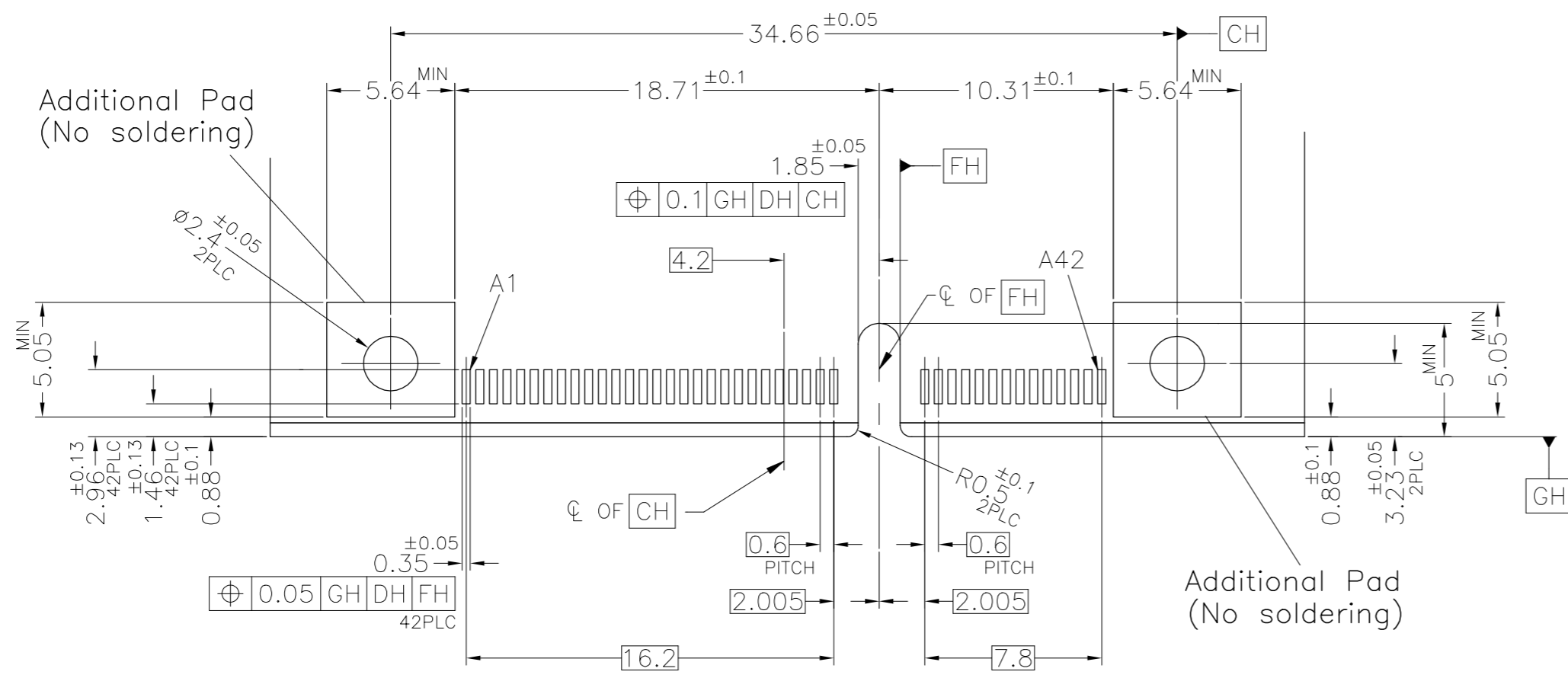
THIS DRAWING IS UNPUBLISHED. RELEASED FOR PUBLICATION. ALL RIGHTS RESERVED. COPYRIGHT - TE Connectivity

REVISIONS					
P	LTR	DESCRIPTION	DATE	DWN	APVD
-	-	SEE SHEET 1	-	-	-



Trace keep out area (Applied to inner layers around both screw holes)

REFERENCE HOST BOARD LAYOUT

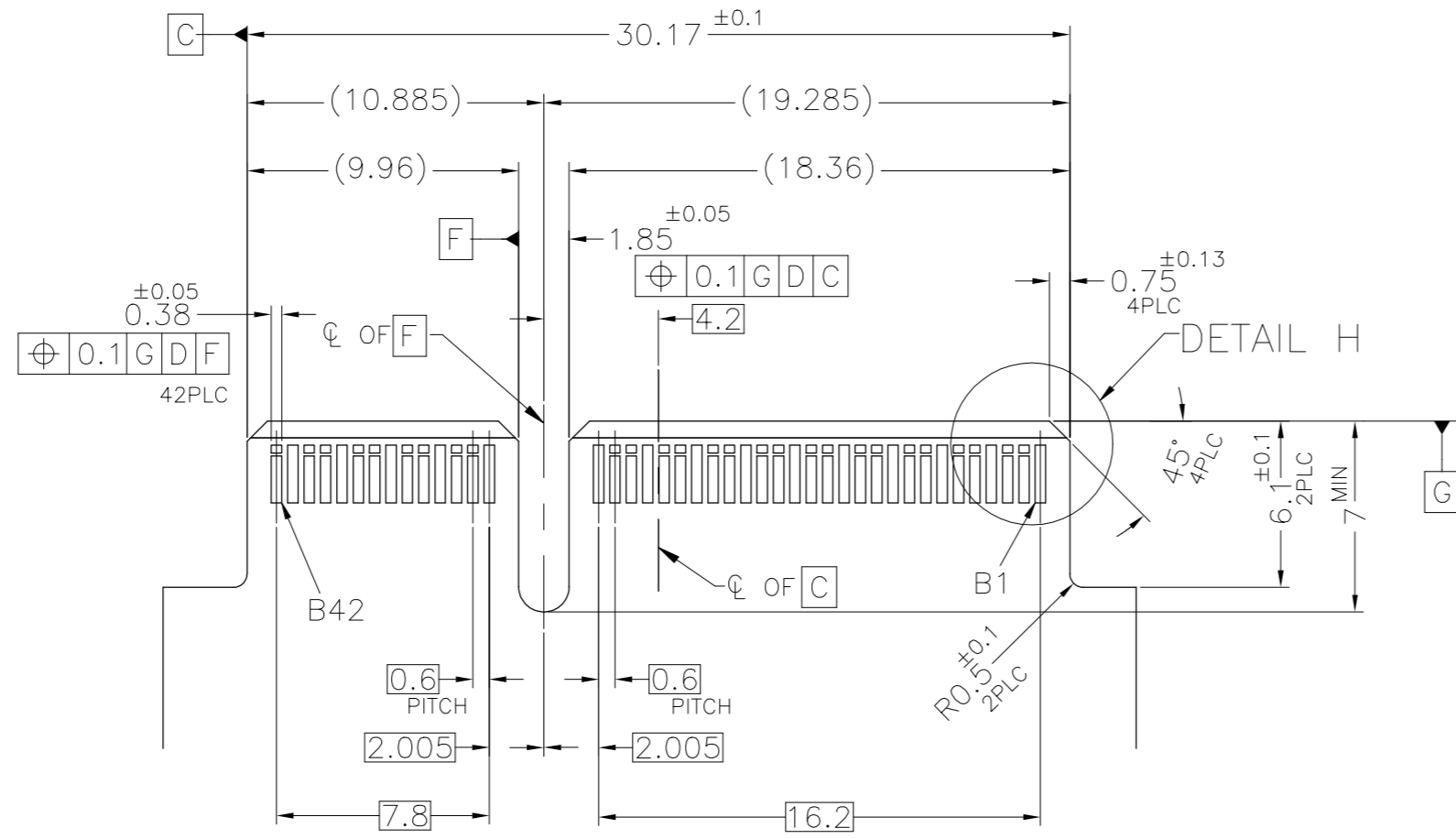


VIEW A-A

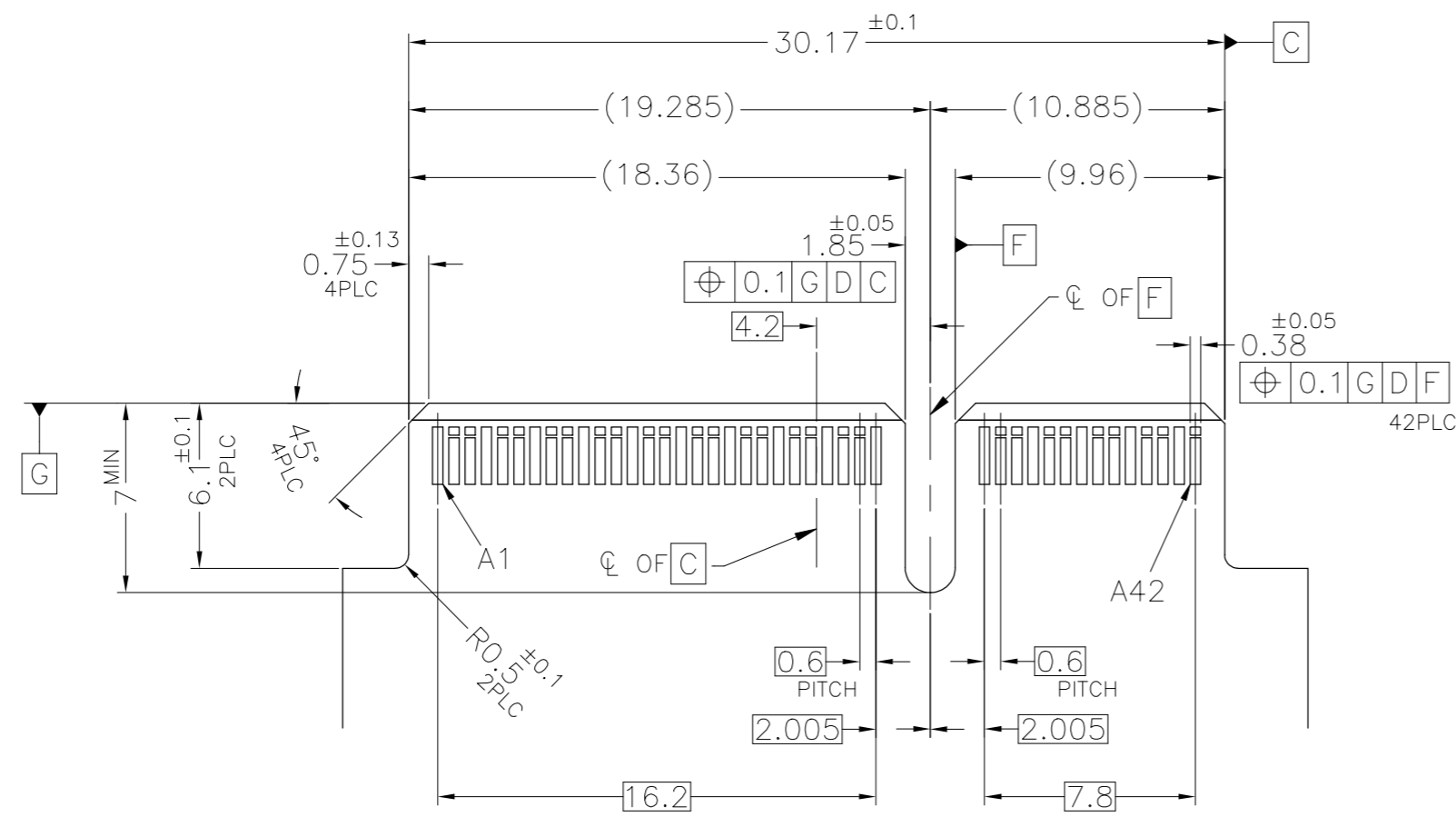
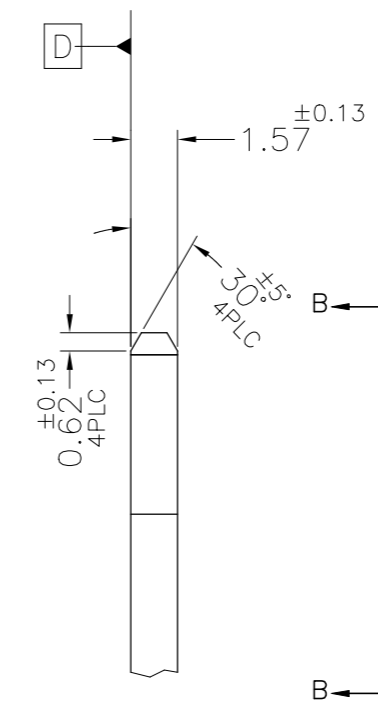
THIS DRAWING IS A CONTROLLED DOCUMENT.		DWN	TE Connectivity		
DIMENSIONS: mm		CHK	NAME		
TOLERANCES UNLESS OTHERWISE SPECIFIED: ±0.3		APVD	84 POSITION SLIVER 2.0 STRADDLE MOUNT		
0-PLC ±		PRODUCT SPEC	SIZE	CAGE CODE	DRAWING NO
1-PLC ±		APPLICATION SPEC	A2	00779	C=2340326
2-PLC ±		WEIGHT	RESTRICTED TO		
3-PLC ±		CUSTOMER DRAWING	SCALE	SHEET	REV
4-PLC ±			4:1	2 of 4	A
ANGLES ±					
FINISH					

THIS DRAWING IS UNPUBLISHED. RELEASED FOR PUBLICATION  
 © COPYRIGHT - TE Connectivity ALL RIGHTS RESERVED.

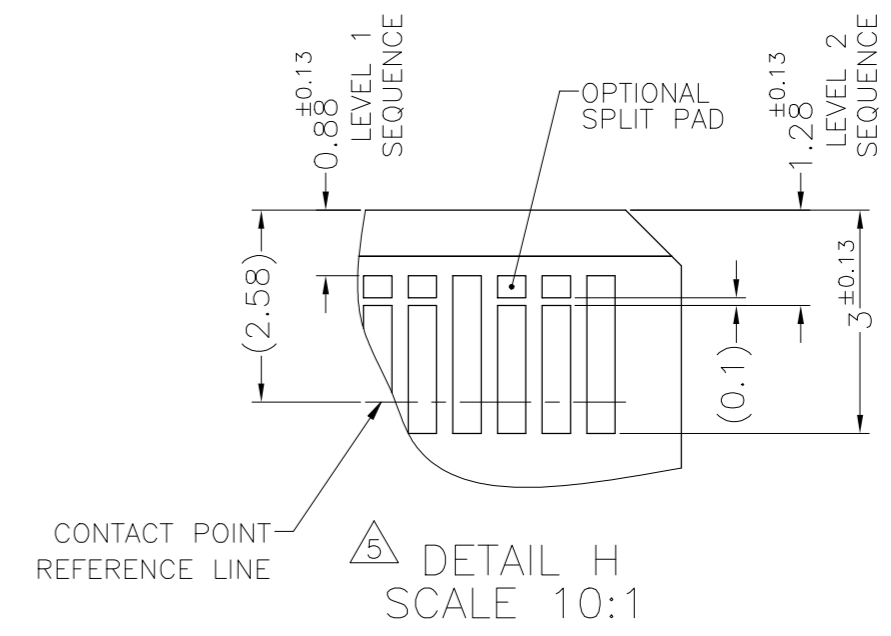
REVISIONS					
P	LTR	DESCRIPTION	DATE	DWN	APVD
-	-	SEE SHEET 1	-	-	-



△ REFERENCE AIC BOARD LAYOUT



VIEW B-B



△ DETAIL H SCALE 10:1

THIS DRAWING IS A CONTROLLED DOCUMENT.		DWN			
DIMENSIONS: mm		CHK			
TOLERANCES UNLESS OTHERWISE SPECIFIED: ±0.3		APVD	NAME		
0-PLC ±		PRODUCT SPEC	84 POSITION		
1-PLC ±		APPLICATION SPEC	SLIVER 2.0 STRADDLE MOUNT		
2-PLC ±		WEIGHT	SIZE	CAGE CODE	DRAWING NO
3-PLC ±		CUSTOMER DRAWING	A2	00779	C=2340326
4-PLC ±		SCALE	4:1	SHEET	3 OF 4
ANGLES ±		REV	A		
FINISH					

4

3

2

1

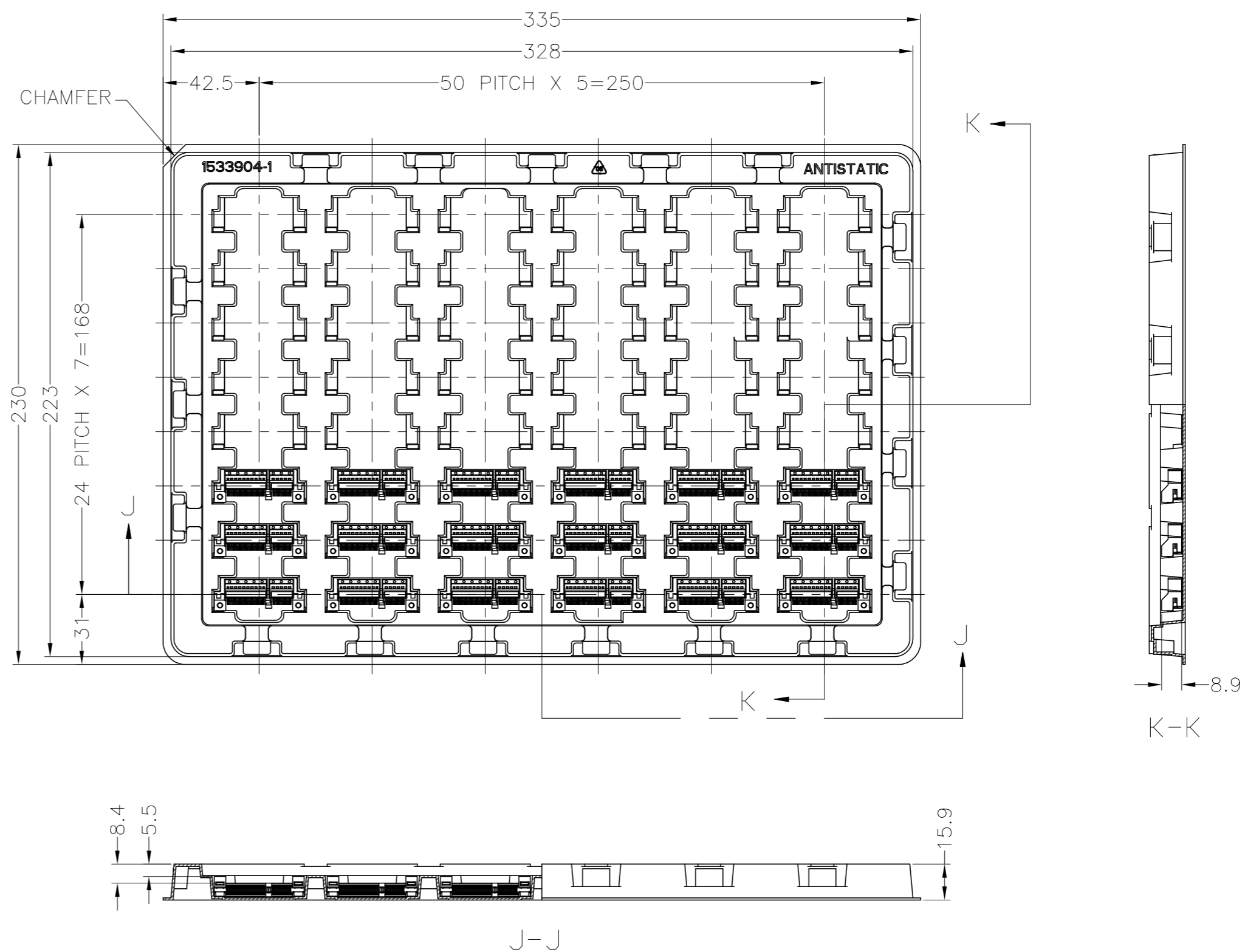
THIS DRAWING IS UNPUBLISHED. RELEASED FOR PUBLICATION  
COPYRIGHT - TE Connectivity ALL RIGHTS RESERVED.

REVISIONS					
P	LTR	DESCRIPTION	DATE	DWN	APVD
-	-	SEE SHEET 1	-	-	-

### CONNECTOR CONTACT IDENTIFICATION

CONTACT NUMBER	SIDE A	SIDE B
1	GROUND	GROUND
2	SIGNAL	SIGNAL
3	SIGNAL	SIGNAL
4	GROUND	GROUND
5	SIGNAL	SIGNAL
6	SIGNAL	SIGNAL
7	GROUND	GROUND
8	SIGNAL	SIGNAL
9	SIGNAL	SIGNAL
10	GROUND	GROUND
11	SIGNAL	SIGNAL
12	SIGNAL	SIGNAL
13	GROUND	GROUND
14	SIGNAL	SIGNAL
15	SIGNAL	SIGNAL
16	GROUND	GROUND
17	SIGNAL	SIGNAL
18	SIGNAL	SIGNAL
19	GROUND	GROUND
20	SIGNAL	SIGNAL
21	SIGNAL	SIGNAL
22	GROUND	GROUND
23	SIGNAL	SIGNAL
24	SIGNAL	SIGNAL
25	GROUND	GROUND
26	SIGNAL	SIGNAL
27	SIGNAL	SIGNAL
28	GROUND	GROUND

CONTACT NUMBER	SIDE A	SIDE B
29	GROUND	GROUND
30	SIGNAL	SIGNAL
31	SIGNAL	SIGNAL
32	GROUND	GROUND
33	SIGNAL	SIGNAL
34	SIGNAL	SIGNAL
35	GROUND	GROUND
36	SIGNAL	SIGNAL
37	SIGNAL	SIGNAL
38	GROUND	GROUND
39	SIGNAL	SIGNAL
40	SIGNAL	SIGNAL
41	GROUND	GROUND
42	GROUND	GROUND



### SOFT TRAY PACKAGING: 2340326-1

1. MATERIAL: HIPS, COLOR: NATURAL
2. QTY. : 8 X 6 = 48 POCKETS PER TRAY
3. TOLERANCES ON TRAY DIMENSIONS ARE REFERENCE

THIS DRAWING IS A CONTROLLED DOCUMENT.		DWN	TE Connectivity		
DIMENSIONS: mm		CHK	NAME		
TOLERANCES UNLESS OTHERWISE SPECIFIED:		APVD	84 POSITION SLIVER 2.0 STRADDLE MOUNT		
0 PLC ± -		PRODUCT SPEC	SIZE	CAGE CODE	DRAWING NO
1 PLC ± -		APPLICATION SPEC	A2	00779	C=2340326
2 PLC ± -		WEIGHT	SCALE	SHEET	REV
3 PLC ± -		CUSTOMER DRAWING	N.T.S	4 of 4	A
4 PLC ± -					
ANGLES ± -					
FINISH					