

4

3

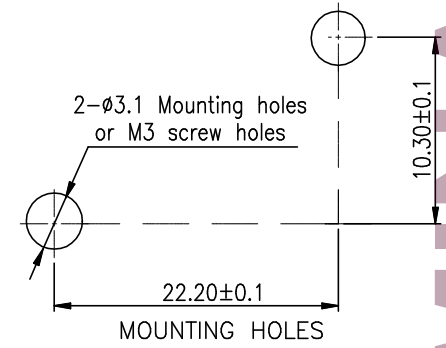
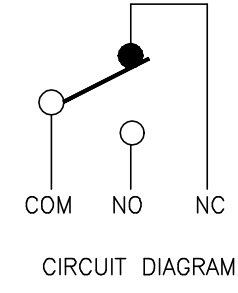
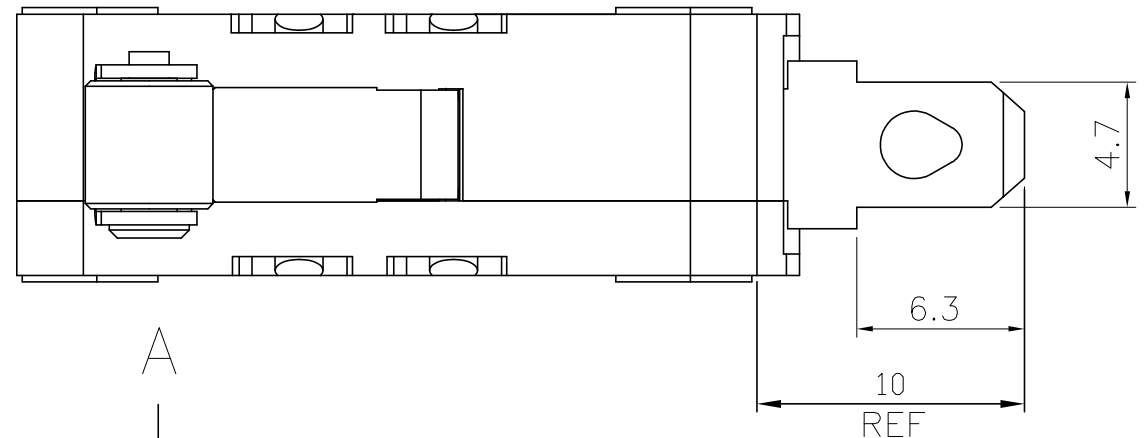
2

1

THIS DRAWING IS UNPUBLISHED. RELEASED FOR PUBLICATION
 © COPYRIGHT - TE Connectivity Ltd. ALL RIGHTS RESERVED.

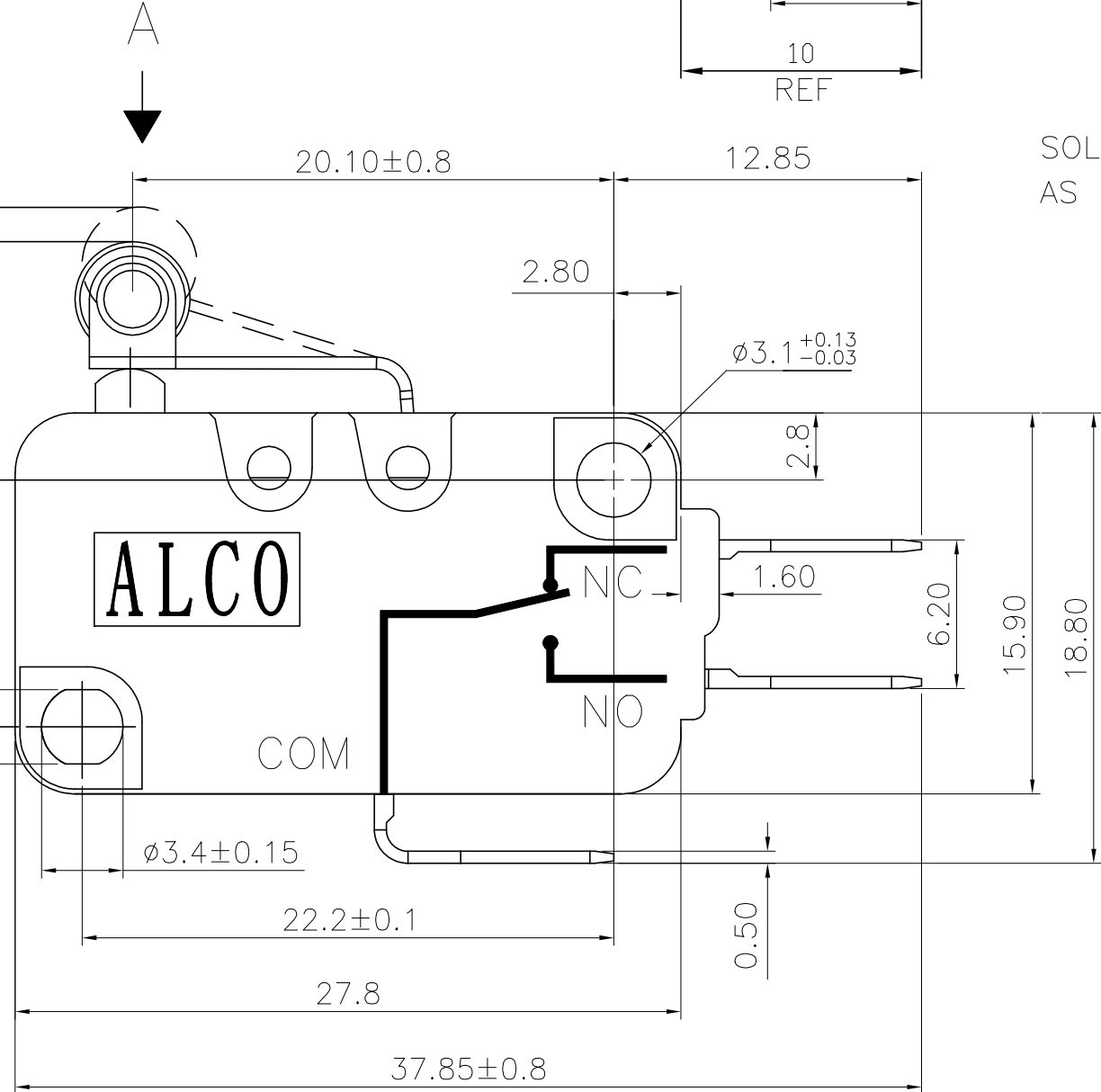
REVISIONS					
P	LTR	DESCRIPTION	DATE	DWN	APVD
1		NEW DRAWING	09MAY2019	GCM	AS

APPLICABLE FOR TE P/N
2351459-1

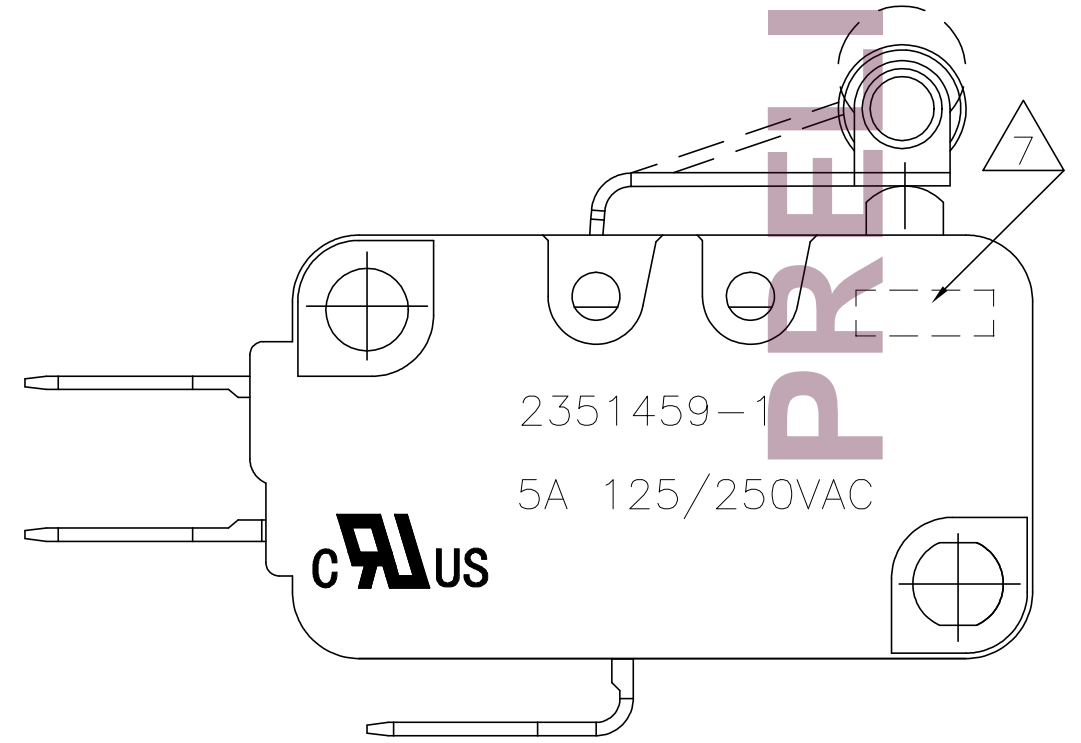
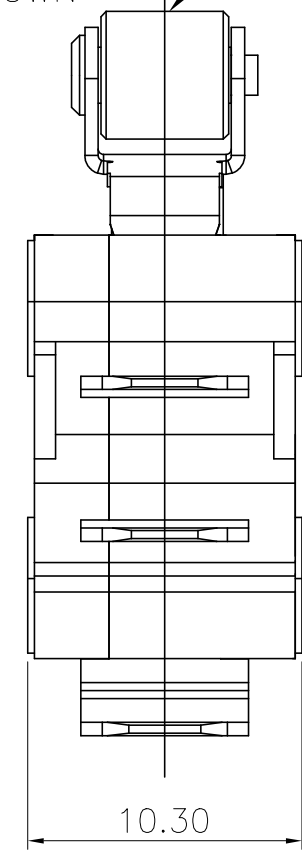


PRE TRAVEL

OPERATING POSITION



SOLDER TERMINAL AS SHOWN
 ∅4.8X4.8



THIS DRAWING IS A CONTROLLED DOCUMENT.		DWN 09MAY2019 GANESH C M	TE Connectivity Ltd.	
DIMENSIONS: mm		CHK 09MAY2019 ALEXANDER SHARPE		
TOLERANCES UNLESS OTHERWISE SPECIFIED:		APVD 09MAY2019 ALEXANDER SHARPE	NAME SWITCH, SUBMINIATURE SLD SNAP ACTION, SHORT HINGE ROLLER LEVER	
0 PLC ± - 1 PLC ± 0.4 2 PLC ± 0.4 3 PLC ± - 4 PLC ± - ANGLES ± -		PRODUCT SPEC -	RESTRICTED TO -	
MATERIAL -		FINISH -	APPLICATION SPEC -	SIZE A3
			WEIGHT	CAGE CODE 00779
			CUSTOMER DRAWING	DRAWING NO C-2351459
			SCALE NTS	SHEET 1 OF 3
				REV 1

PRELIMINARY

4

3

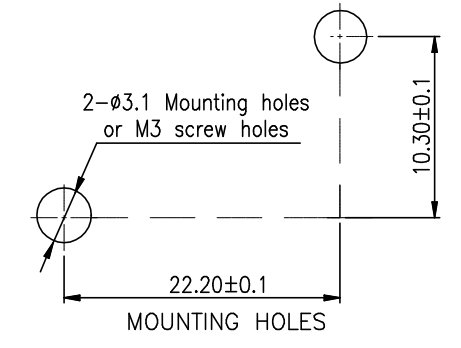
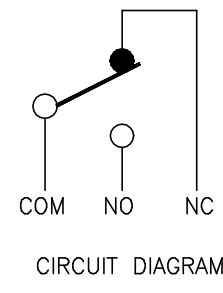
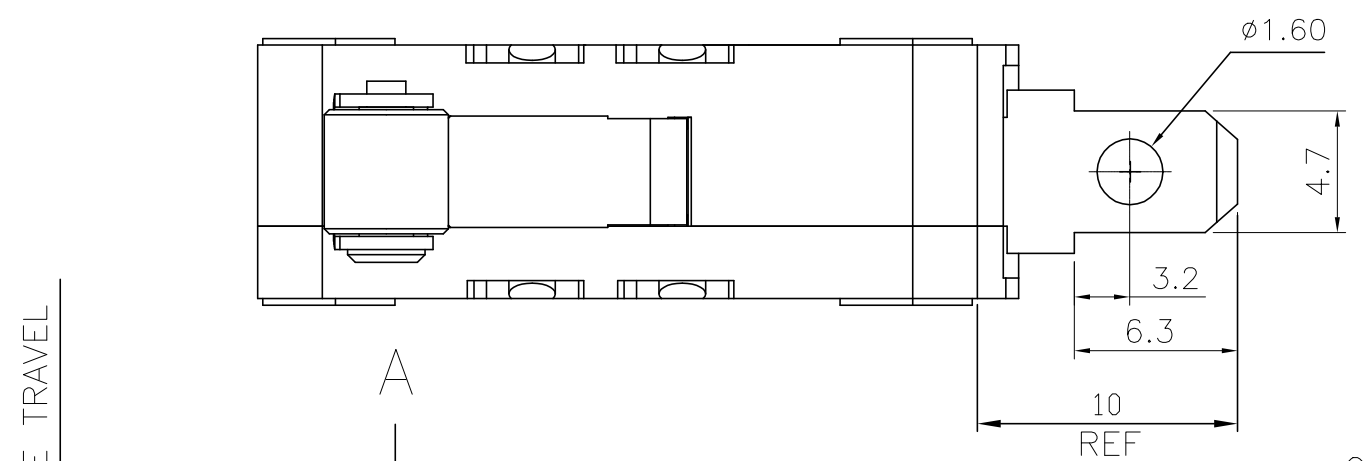
2

1

THIS DRAWING IS UNPUBLISHED. RELEASED FOR PUBLICATION
 © COPYRIGHT - TE Connectivity Ltd. ALL RIGHTS RESERVED.

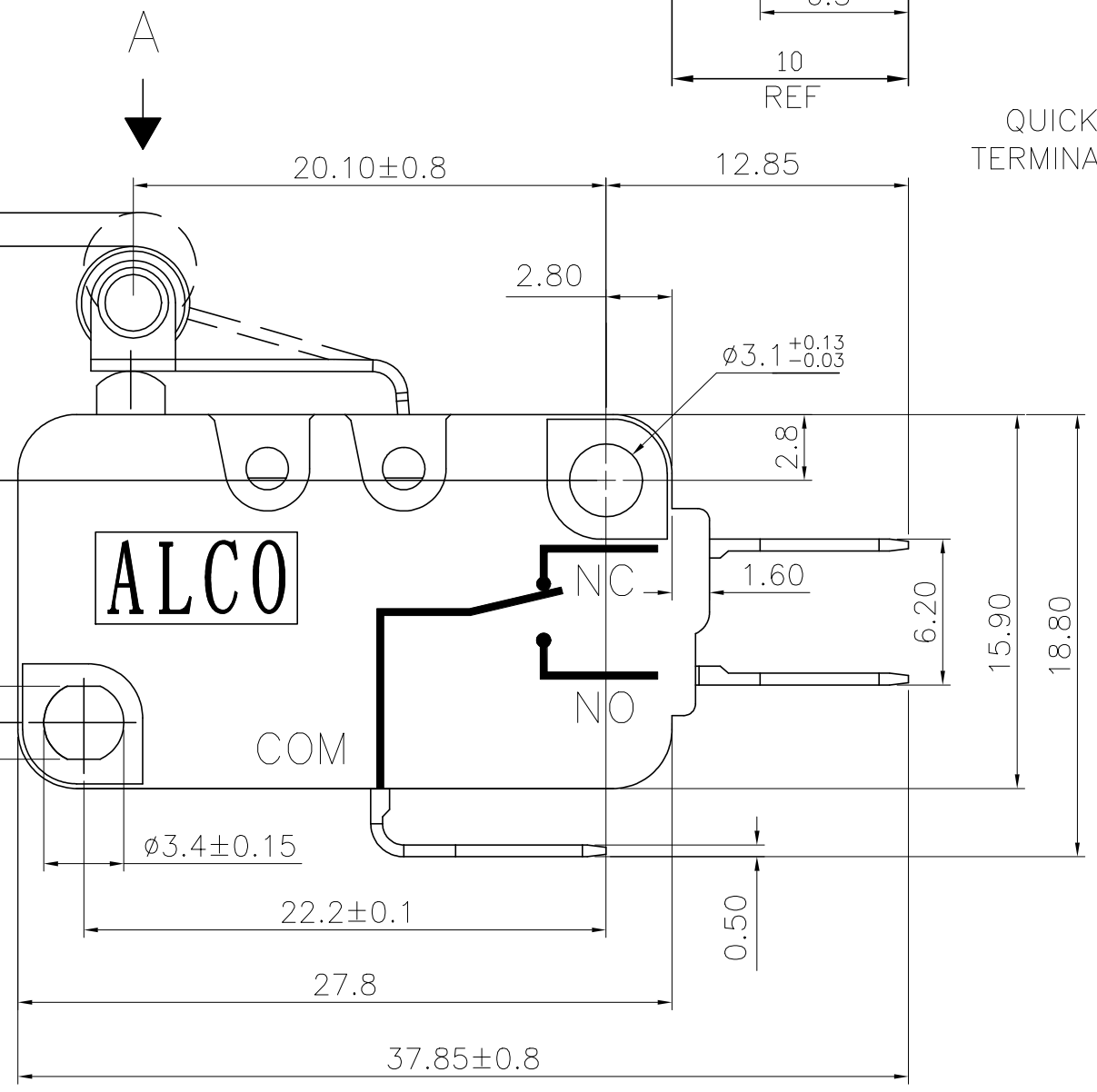
REVISIONS					
P	LTR	DESCRIPTION	DATE	DWN	APVD
-	-	SEE SHEET 1	-	-	-

APPLICABLE FOR TE P/N
2351459-2

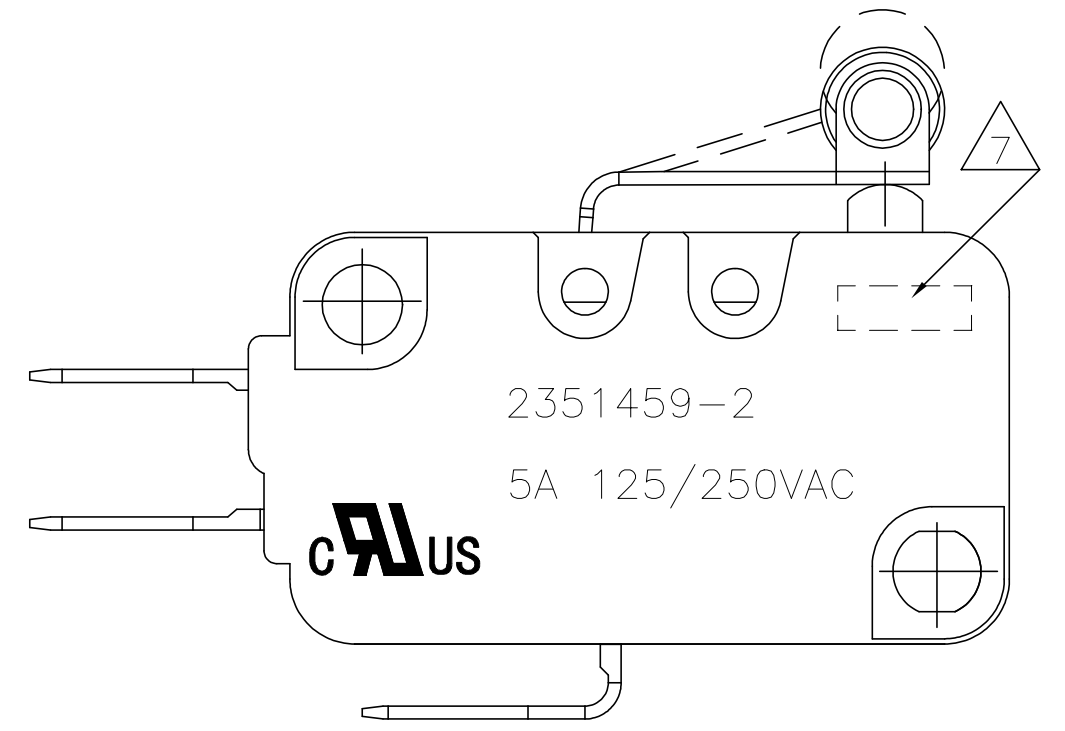
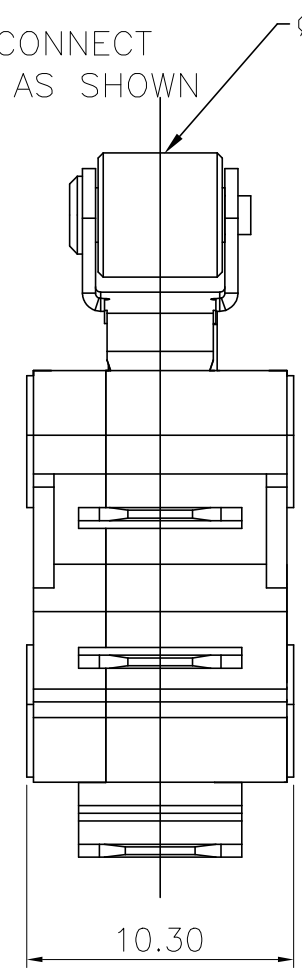


PRE TRAVEL

OPERATING POSITION



QUICK CONNECT TERMINAL AS SHOWN ϕ 4.8X4.8



THIS DRAWING IS A CONTROLLED DOCUMENT.		DWN 09MAY2019 GANESH C M	TE Connectivity Ltd.		
DIMENSIONS: mm		CHK 09MAY2019 ALEXANDER SHARPE			
TOLERANCES UNLESS OTHERWISE SPECIFIED:		APVD 09MAY2019 ALEXANDER SHARPE	NAME SWITCH, SUBMINIATURE SLD SNAP ACTION, SHORT HINGE ROLLER LEVER		
0 PLC ± - 1 PLC ± 0.4 2 PLC ± 0.4 3 PLC ± - 4 PLC ± - ANGLES ± -		PRODUCT SPEC -	RESTRICTED TO -		
MATERIAL -		FINISH -	APPLICATION SPEC -	WEIGHT -	SIZE A3
CUSTOMER DRAWING			SCALE NTS	DRAWING NO C-2351459	SHEET 2 OF 3
				REV 1	

PRELIMINARY

THIS DRAWING IS UNPUBLISHED.

RELEASED FOR PUBLICATION

REVISIONS

© COPYRIGHT - TE Connectivity Ltd.

ALL RIGHTS RESERVED.

P	LTR	DESCRIPTION	DATE	DWN	APVD
-	-	SEE SHEET 1	-	-	-

NOTES:

- OPERATING CHARACTERISTICS ARE FOR OPERATION IN THE A DIRECTION ↓
- PACKAGING:
SWITCHES ARE BULK PACKAGED IN BAGS, 50 SWITCHES PER BAG, 20 BAGS PER BOX.
- COMPLIANCE:
THE CURRENT STATEMENT OF COMPLIANCE IS AVAILABLE AT TE.COM.
- MATERIAL AND FINISH:
COVER: THERMOPLASTIC, BLACK
BASE: THERMOPLASTIC, BLACK
BUTTON: THERMOPLASTIC, BLACK
CONTACTS: SILVER ALLOY, SILVER PLATED
TERMINALS: BRASS, SILVER PLATED
MOVING PLATE: BRASS, SILVER PLATED
SPRING PLATE: COPPER ALLOY
ACTION ARM: BRASS, SILVER PLATED
LEVER: STAINLESS STEEL
SHAFT: BRASS
ROLLER: THERMOPLASTIC
- SPECIFICATIONS:
CURRENT RATING: SEE TABLE
CONTACT RESISTANCE: 100mΩ MAXIMUM, INITIAL, AT FREE POSITION AND TOTAL TRAVEL POSITION, ACUATE 3 TIMES BEFORE MEASUREMENT.
INSULATION RESISTANCE: 100MΩ MINIMUM, INITIAL, @ 500 V DC, 1 MINUTE
DIELECTRIC WITHSTANDING VOLTAGE, BETWEEN TERMINALS OF THE SAME POLARITY: 600 V AC, 50 TO 60 HZ FOR 1 MINUTE
DIELECTRIC WITHSTANDING VOLTAGE, BETWEEN EACH TERMINAL AND GROUND: 1500 V AC, 50 TO 60 HZ FOR 1 MINUTE
DIELECTRIC WITHSTANDING VOLTAGE, BETWEEN EACH TERMINAL AND NON-CURRENT CARRYING METAL PART:1500 V AC, 50 TO 60 Hz FOR 1 MINUTE
INGRESS PROTECTION: IP40
- SOLDER PROCESS:
MANUAL SOLDERING: 350°C, 3 SECONDS MAXIMUM, 30 TO 40 WATTS. PREVENT SOLDER AND FLUX CONTACTING THE SWITCH BODY.
DO NOT OPERATE THE SWITCH DURING THE FIRST MINUTE AFTER SOLDERING.

7 DATE CODE:

① ② ③ ④

①	DAY	01 TO 31
②	MONTH	1 TO 9,X,Y,Z (X=10,Y=11,Z=12)
③	YEAR	00 TO 99
④	OTHER	N/A

8. CERTIFICATION: 

SILVER	SPDT	5,000,000 CYCLES, MINIMUM	100,000 CYCLES, MINIMUM	-40 TO +85°C/85% RELATIVE HUMIDITY MAXIMUM	-40 TO +85°C/60% RELATIVE HUMIDITY MAXIMUM	0.5 MAXIMUM	0.8 MINIMUM	20.7±0.6	1.6 MAXIMUM	4 gf MINIMUM	60 gf MAXIMUM	5A, 125VAC 5A, 250VAC	MOMENTARY	QUICK CONNECT, #187	SAJ35XXSRLN49SDTFAQ	2351459-2
														SOLDER	SAJ35XXSRLN49SDTSEQ	2351459-1
CONTACT FINISH	CONTACT FORM	MECHANICAL LIFE	ELECTRICAL LIFE	STORAGE TEMPERATURE RANGE/HUMIDITY RANGE	OPERATING TEMPERATURE RANGE/HUMIDITY RANGE	MOVEMENT DIFFERENTIAL	OVERTRAVEL	OPERATING POSITION	PRETRAVEL	RELEASE FORCE	OPERATING FORCE	CURRENT RATING	CONTACT CONFIGURATION	TERMINAL TYPE	TE SMART PART NUMBER	PART NUMBER

THIS DRAWING IS A CONTROLLED DOCUMENT.

DWN 09MAY2019

CHK GANESH C M

09MAY2019

APVD ALEXANDER SHARPE

09MAY2019

ALEXANDER SHARPE

PRODUCT SPEC

APPLICATION SPEC

WEIGHT

CUSTOMER DRAWING



TE Connectivity Ltd.

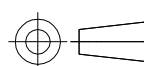
NAME SWITCH, SUBMINIATURE SLD SNAP ACTION, SHORT HINGE ROLLER LEVER

SIZE CAGE CODE DRAWING NO RESTRICTED TO

A3 00779 C=2351459

SCALE NTS SHEET 3 of 3 REV 1

DIMENSIONS: mm



TOLERANCES UNLESS OTHERWISE SPECIFIED:

- 0 PLC ± -
- 1 PLC ± 0.4
- 2 PLC ± 0.4
- 3 PLC ± -
- 4 PLC ± -
- ANGLES ± -

MATERIAL FINISH

PRELIMINARY