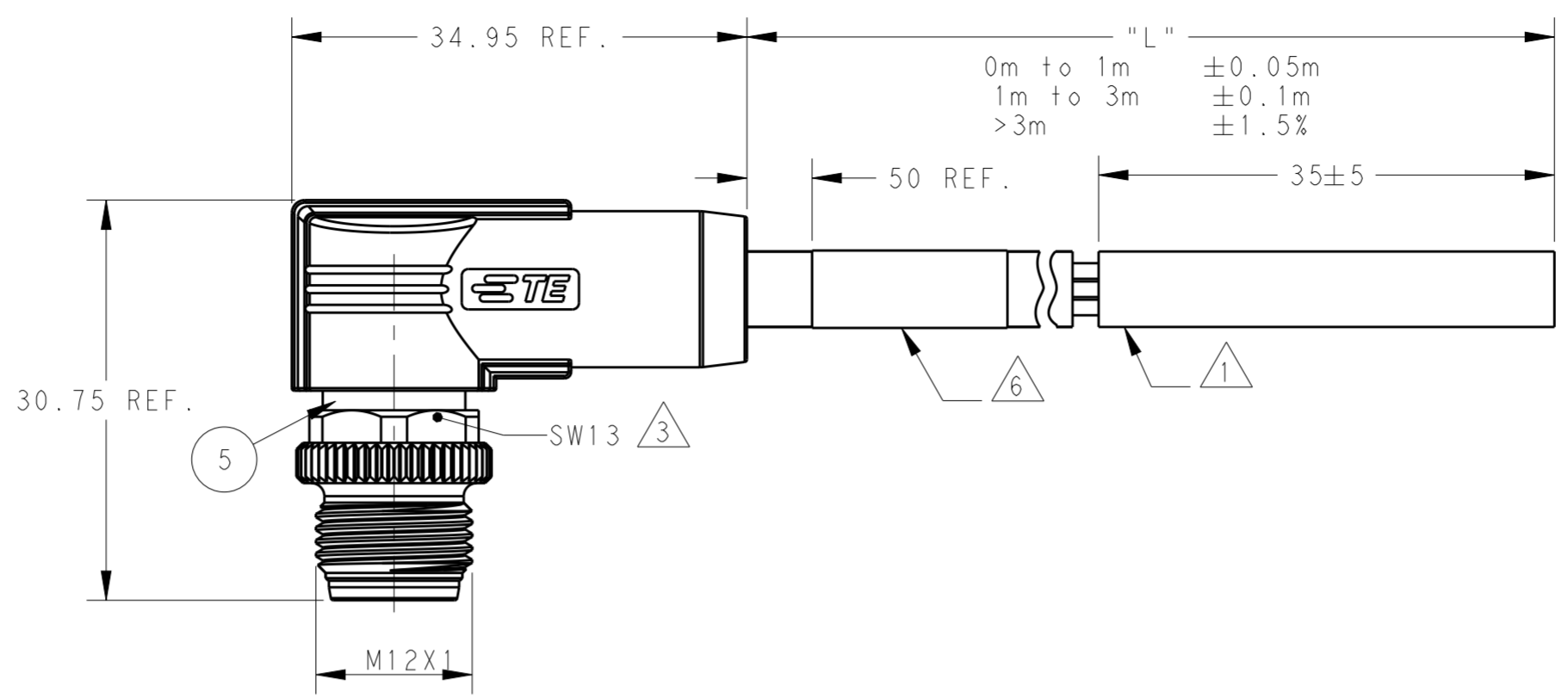
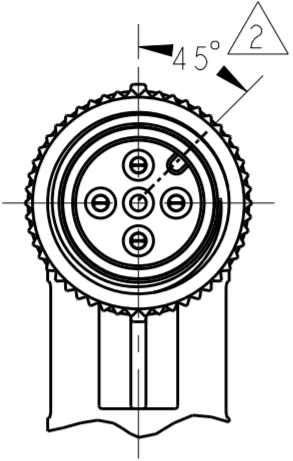


THIS DRAWING IS UNPUBLISHED. RELEASED FOR PUBLICATION 20
 © COPYRIGHT 20 BY - ALL RIGHTS RESERVED.

ITEM	DESCRIPTION	MATERIAL	OTHERS
1	MALE CONTACT	COPPER ALLOY	GOLD PLATED
2	HOUSING	NYLON	BLACK
3	COUPLING NUT	COPPER ALLOY	NICKEL PLATED
4	OVER-MOLDING	PVC	BLACK
5	SHIELDED SHELL	COPPER ALLOY	NICKEL PLATED
6	CABLE	PVC JACKET	RED
7	LABEL	-	-



REVISIONS				
P	LTR	DESCRIPTION	DATE	APVD
	A	INITIAL RELEASE	29JUL2019	A.Z C.W

NOTE:
 1. STRIP AND RETAIN THE INSULATION
 2. CODE POSITION INDICATOR
 3. RECOMMENDED TORQUE 0.6 Nm
 4. -** : CABLE LENGTH, FOR EXAMPLE: -0.5M
 5. CABLE ASSEMBLY TO BE PACKAGED IN POLYBAGS
 6. LABEL CONTAINS: PN, DATE CODE...

注释:
 1. 剥线并保留护套绝缘层
 2. CODE位置指示
 3. 推荐扭矩0.6 Nm
 4. -** : 线缆长度, 例如: -0.5M
 5. 线缆组件塑料袋包装
 6. 标签包含: 产品编号, 日期代码...

TE PN CODING:

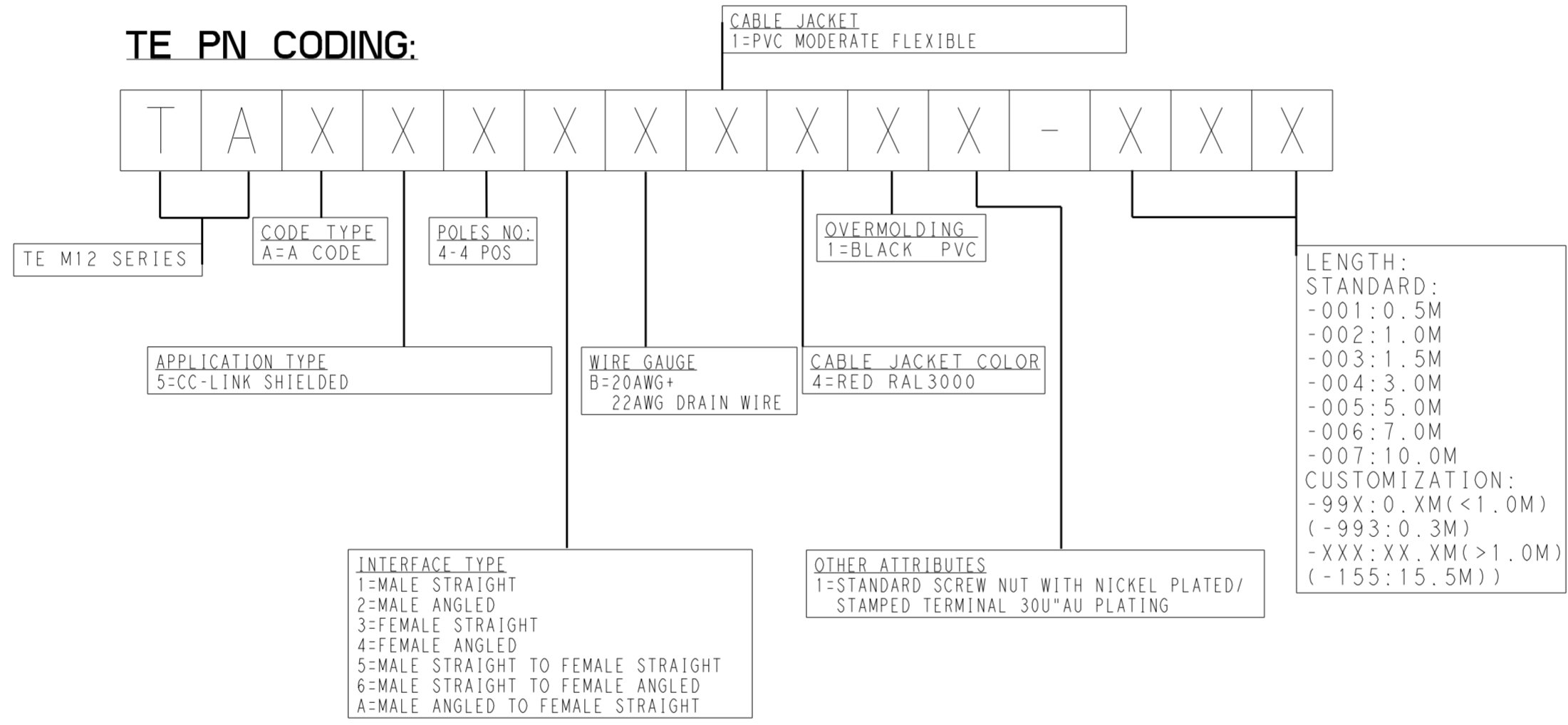
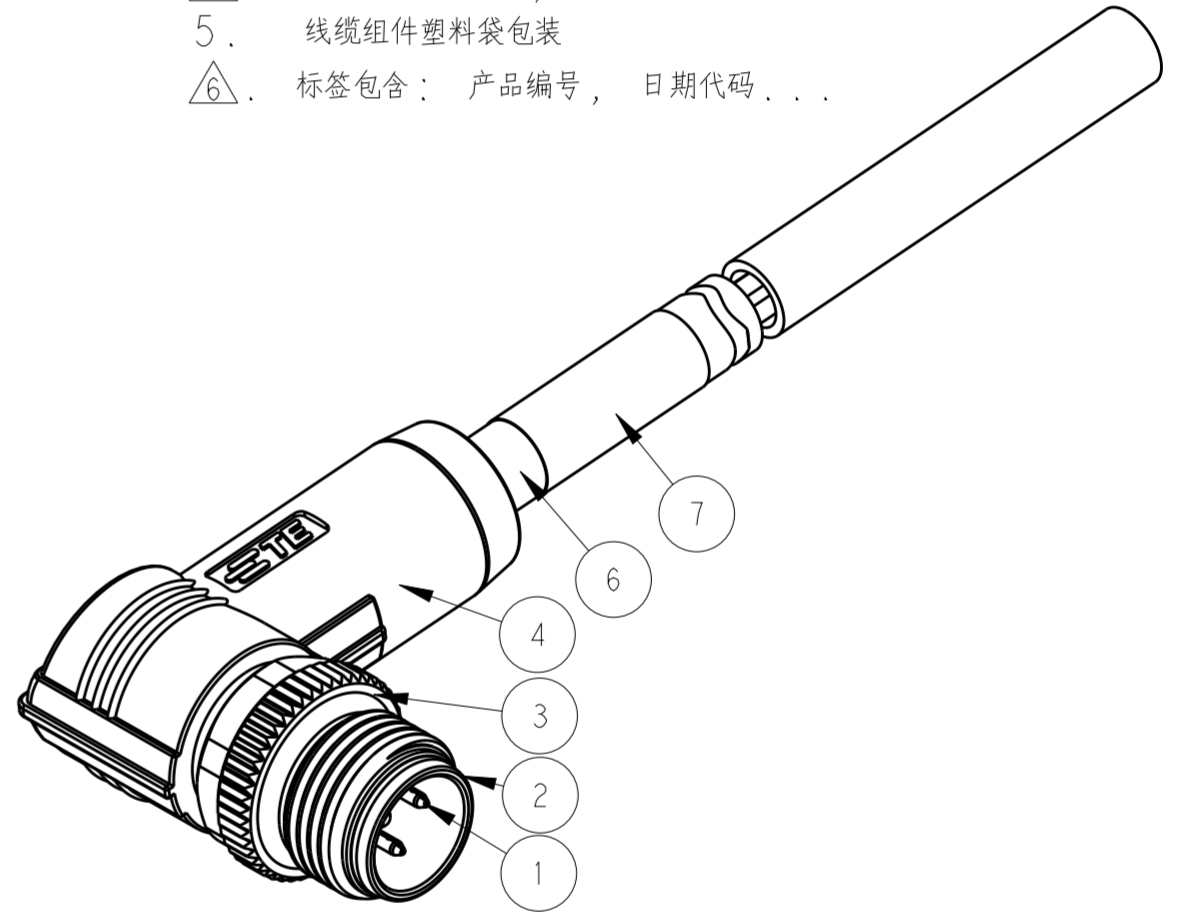


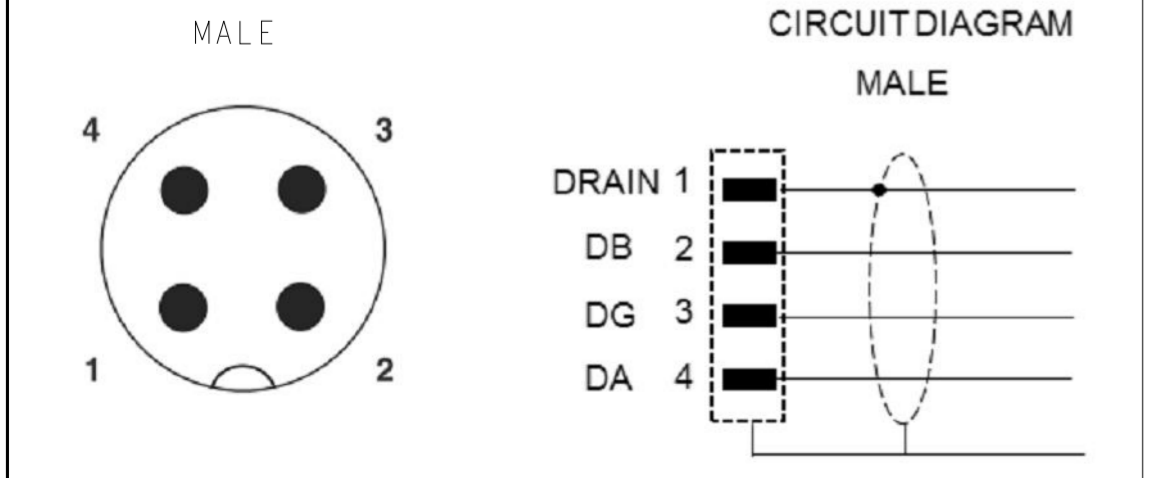
TABLE 1
 TECHNICAL DATA

RATED VOLTAGE	250V
RATED IMPULSE VOLTAGE	2500V
RATED CURRENT	4A
POLLUTION DEGREE	3
OVERVOLTAGE CATEGORY	II
MATERIAL GROUP	II
DEGREE OF PROTECTION	IP67



PIN ARRANGEMENT
 A-CODE

PIN 1	DRAIN BARE
PIN 2	DB WHITE
PIN 3	DG YELLOW
PIN 4	DA BLUE



WIRES: 3X20AWG+1X22AWG DRAIN WIRE WIRE COLOR: BLUE/YELLOW/WHITE OD: APPROX. 7.7MM TEMPERATURE RATING: 75°C UL OPERATING TEMP RATING: -30°C To +60°C	STANDARD: -001: 0.5M -002: 1.0M -003: 1.5M -004: 3.0M -005: 5.0M -006: 7.0M -007: 10.0M CUSTOMIZATION: -99X: 0.XM(<1.0M) (-993: 0.3M) -XXX: XX.XM(>1.0M) (-155: 15.5M))	RED	PVC	M12A4-MR-PVC-**	4	TAA542B1411-XXX
CABLE CHARACTERISTIC	LENGTH "L"	JACKET COLOR	JACKET MATERIAL	TYPE	POS.	TE PN

THIS DRAWING IS A CONTROLLED DOCUMENT.		DWN: ALEX ZHANG 11APR2019	TE Connectivity		
DIMENSIONS: mm		CHK: HART HE 11APR2019			
TOLERANCES UNLESS OTHERWISE SPECIFIED:		APVD: CHRIS WANG 11APR2019	NAME: M12 A CODE CABLE ASSY, SHIELDED 4P, MR FREE END		
0 PLC ±		PRODUCT SPEC: 108-106140	SIZE: A2		
1 PLC ±		APPLICATION SPEC: -	CAGE CODE: -		
2 PLC ±		WEIGHT: -	DRAWING NO: C-TAA542B1411XXX		
3 PLC ±		CUSTOMER DRAWING	RESTRICTED TO: -		
4 PLC ±		SCALE: 2:1	SHEET 1 OF 1		
ANGLES ±2			REV: A		
FINISH: -					