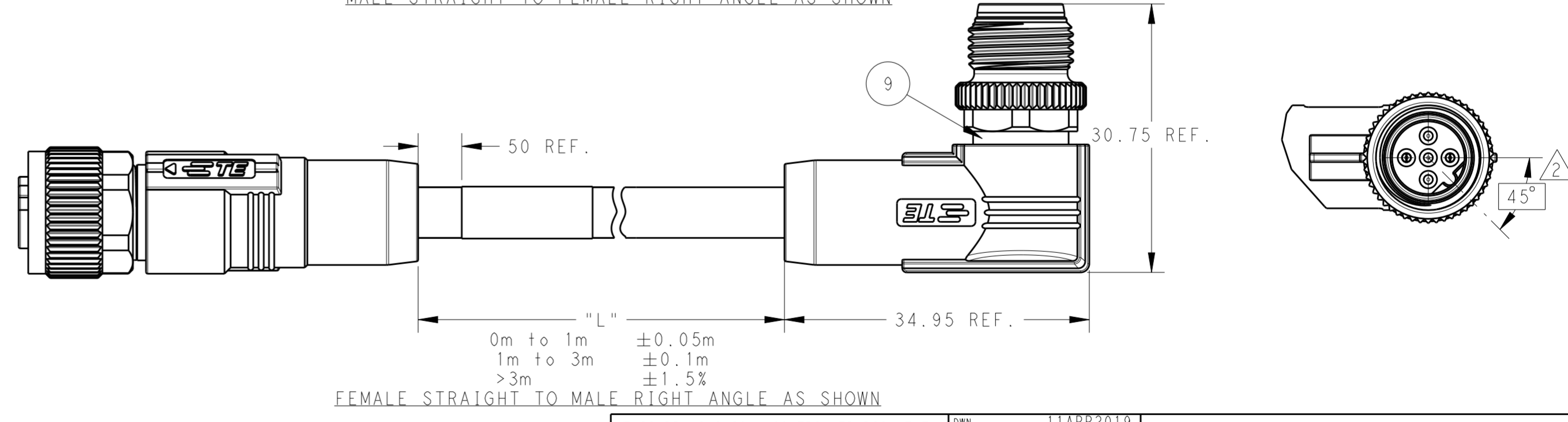
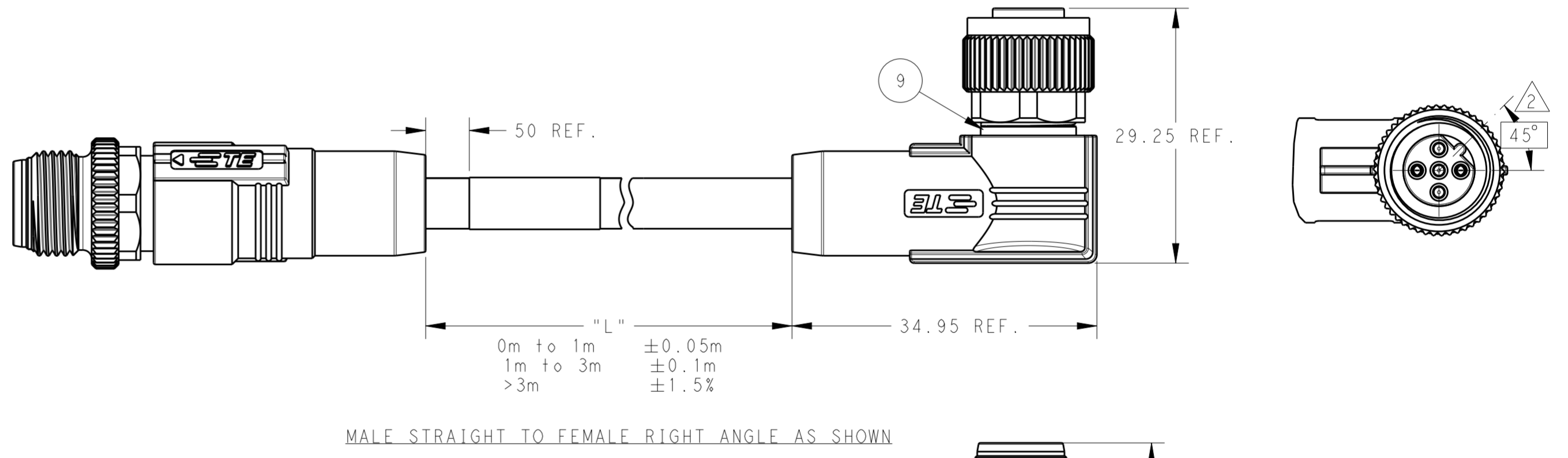
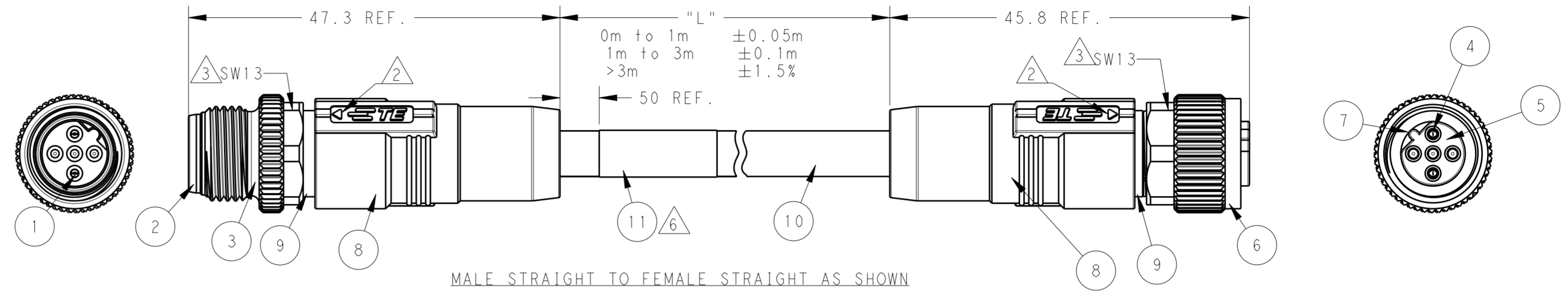


THIS DRAWING IS UNPUBLISHED. RELEASED FOR PUBLICATION 20
 © COPYRIGHT 20 BY - ALL RIGHTS RESERVED.

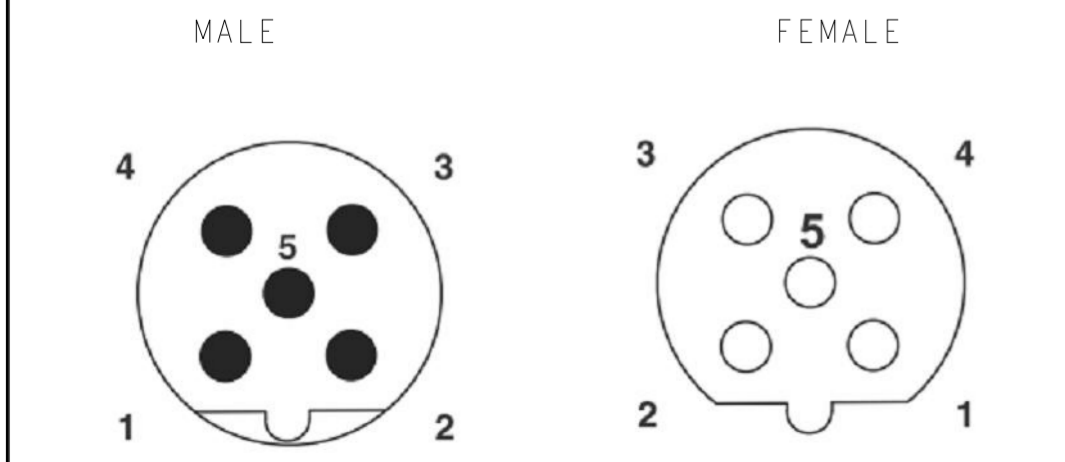
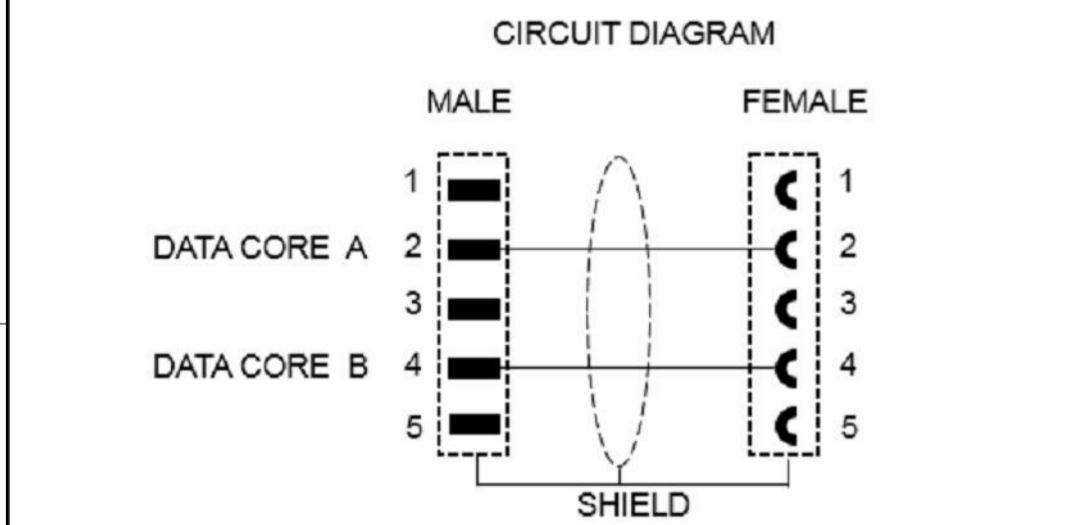
| REVISIONS | | | | |
|-----------|-----|-----------------|-----------|---------|
| P | LTR | DESCRIPTION | DATE | APVD |
| A | | INITIAL RELEASE | 01AUG2019 | A.Z C.W |

| ITEM | DESCRIPTION | MATERIAL | OTHERS |
|------|----------------|--------------|---------------|
| 1 | MALE CONTACT | COPPER ALLOY | GOLD PLATED |
| 2 | MALE HOUSING | NYLON | BLACK |
| 3 | MALE NUT | COPPER ALLOY | NICKEL PLATED |
| 4 | FEMALE CONTACT | COPPER ALLOY | GOLD PLATED |
| 5 | FEMALE HOUSING | NYLON | BLACK |
| 6 | FEMALE NUT | COPPER ALLOY | NICKEL PLATED |
| 7 | O-RING | SILICONE | GRAY |
| 8 | OVER-MOLDING | TPU | BLACK |
| 9 | SHIELDED SHELL | COPPER ALLOY | NICKEL PLATED |
| 10 | CABLE | PUR | VIOLET |
| 11 | LABEL | - | - |



CIRCUIT DIAGRAM B-CODE

PIN 2 DATE CORE A GREEN
 PIN 4 DATE CORE B RED



| | | | |
|-----------------------------------------------------------------------------|--|---------------------------------------------------------------------------------------------------------------------------------------------|-----------------|
| THIS DRAWING IS A CONTROLLED DOCUMENT. | | DWN ALE ZHANG 11APR2019 | TE Connectivity |
| DIMENSIONS: mm | | CHK HART HE 11APR2019 | |
| TOLERANCES UNLESS OTHERWISE SPECIFIED: | | APVD CHRIS WANG 11APR2019 | |
| 0 PLC ± 1 PLC ± 2 PLC ± 3 PLC ± 4 PLC ± ANGLES ± FINISH - | | NAME M12 B CODE CABLE ASSY, SHIELDED 2P, MALE TO FEMALE PRODUCT SPEC 108-106140 APPLICATION SPEC - WEIGHT - RESTRICTED CUSTOMER | |
| SCALE 2:1 | | SHEET 1 OF 2 | REV A |

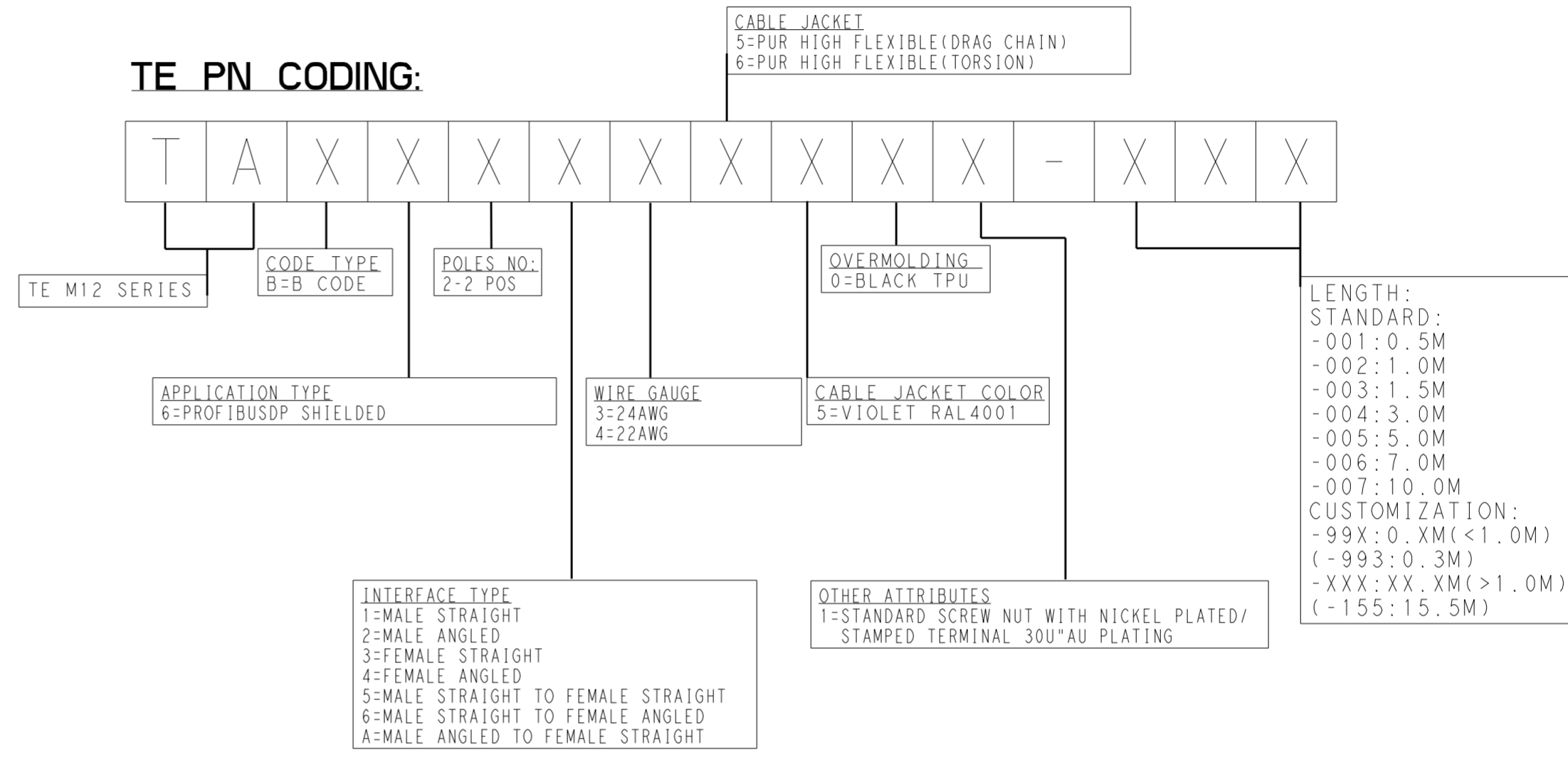
THIS DRAWING IS UNPUBLISHED. RELEASED FOR PUBLICATION 20
 © COPYRIGHT 20 BY - ALL RIGHTS RESERVED.

| REVISIONS | | | | |
|-----------|-----|-------------|------|------|
| P | LTR | DESCRIPTION | DATE | APVD |
| - | | SEE SHEET 1 | - | - |
| | | | | |
| | | | | |

- NOTE:
- ①. TECHNICAL DATA SEE TABLE 1
 - ②. CODE POSITION INDICATOR
 - ③. RECOMMENDED TORQUE 0.6 Nm
 - ④. -** : CABLE LENGTH, FOR EXAMPLE: -0.5M
 - 5. CABLE ASSEMBLY TO BE PACKAGED IN POLYBAGS
 - ⑥. LABEL CONTAINS: PN, DATE CODE...

- 注释:
- ①. 技术参数参考表 1
 - ②. CODE 位置指示
 - ③. 推荐扭矩 0.6 Nm
 - ④. -** : 线缆长度, 例如: -0.5M
 - 5. 线缆组件塑料袋包装
 - ⑥. 标签包含: 产品编号, 日期代码...

TE PN CODING:



| | | | | | | |
|-------------------------------------------------------------------------------------------------------------------------------------------------------------------------------------------------------|-------------------------------------------------------------------------------------------------------------------------------------------------------------------------------------------------|--------------|-----------------|-----------------------------|------|------------------|
| WIRES:22AWG WIRE COLOR: RED AND GREEN OD: APPROX.8.0MM TEMPERATURE RATING:80°C UL OPERATION TEMP RATING:-25°C To +75°C APPLICATIONS:FLEXIBLE,SUITABLE FOR ±180° TORSION APPLICATION | STANDARD: -001:0.5M -002:1.0M -003:1.5M -004:3.0M -005:5.0M -006:7.0M -007:10.0M CUSTOMIZATION: -99X:0.XM(<1.0M) (-993:0.3M) -XXX:XX.XM(>1.0M) (-155:15.5M) | VIOLET | PUR | M12B2-MR-FS-PUR TORSION-**④ | 2 | TAB62A46501-XXX |
| | | | | - | | TAB62646501-XXX |
| | | | | M12B2-MS-FS-PUR TORSION-**④ | | TAB62546501-XXX |
| | | | | M12B2-MR-FS-PUR-**④ | | TAB62A35501-XXX |
| | | | | M12B2-MS-FR-PUR-**④ | | TAB62635501-XXX |
| | | | | M12B2-MS-FS-PUR-**④ | | TAB62535501-XXX |
| WIRES:24AWG WIRE COLOR: RED AND GREEN OD: APPROX.7.8MM TEMPERATURE RATING:80°C UL OPERATION TEMP RATING: -40°C To +80°C APPLICATIONS:FLEXIBLE, SUITABLE FOR DRAG CHAIN | | | | | | |
| CABLE CHARACTERISTIC | LENGTH "L" | JACKET COLOR | JACKET MATERIAL | TYPE | POS. | TABLE 2 TE PN |

| TECHNICAL DATA | |
|-----------------------|-------|
| RATED VOLTAGE | 250V |
| RATED IMPULSE VOLTAGE | 2500V |
| RATED CURRENT | 4A |
| POLLUTION DEGREE | 3 |
| OVERVOLTAGE CATEGORY | II |
| MATERIAL GROUP | II |
| DEGREE OF PROTECTION | IP67 |

THIS DRAWING IS A CONTROLLED DOCUMENT.

| | | | |
|-------------------|---------------------------------------------------------------------------------------------------------------------|----------------------------------------------------------------------------------|--------------------------------------------------------------------------------------------------------------------------------------------------------------------|
| DIMENSIONS: mm | TOLERANCES UNLESS OTHERWISE SPECIFIED: 0 PLC ± 1 PLC ± 2 PLC ± 3 PLC ± 4 PLC ± ANGLES ± FINISH | DWN: ALE ZHANG 11APR2019 CHK: HART HE 11APR2019 APVD: CHRIS WANG 11APR2019 | TE Connectivity NAME: M12 B CODE CABLE ASSY, SHIELDED 2P, MALE TO FEMALE PRODUCT SPEC: 108-106140 APPLICATION SPEC: - WEIGHT: - RESTRICTED CUSTOMER |
| | | SIZE: A2 CAGE CODE: - DRAWING NO: ©-TAB62XXX501XXX RESTRICTED TO: | SCALE: 1:1 SHEET: 2 OF 2 REV: A |