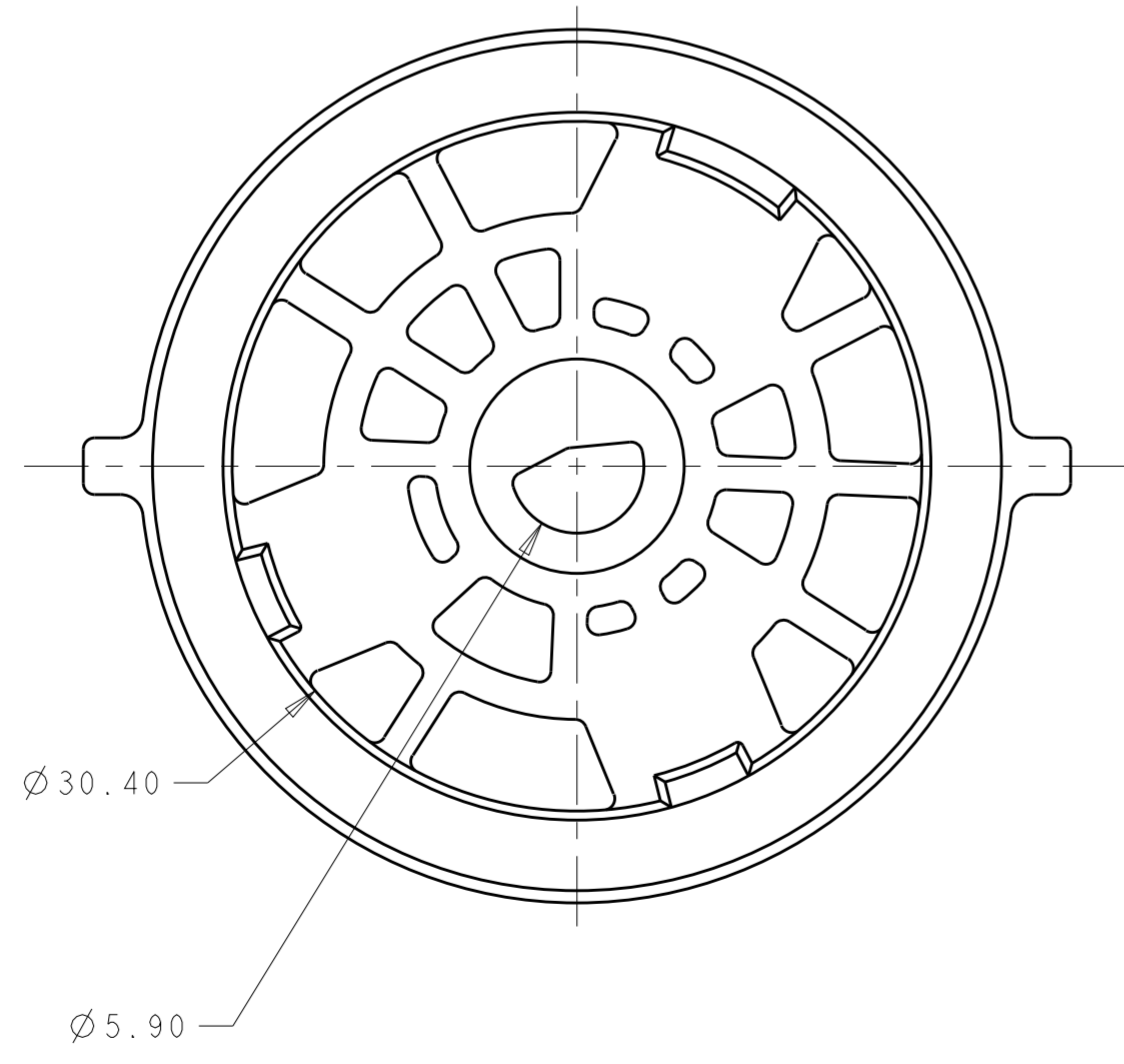
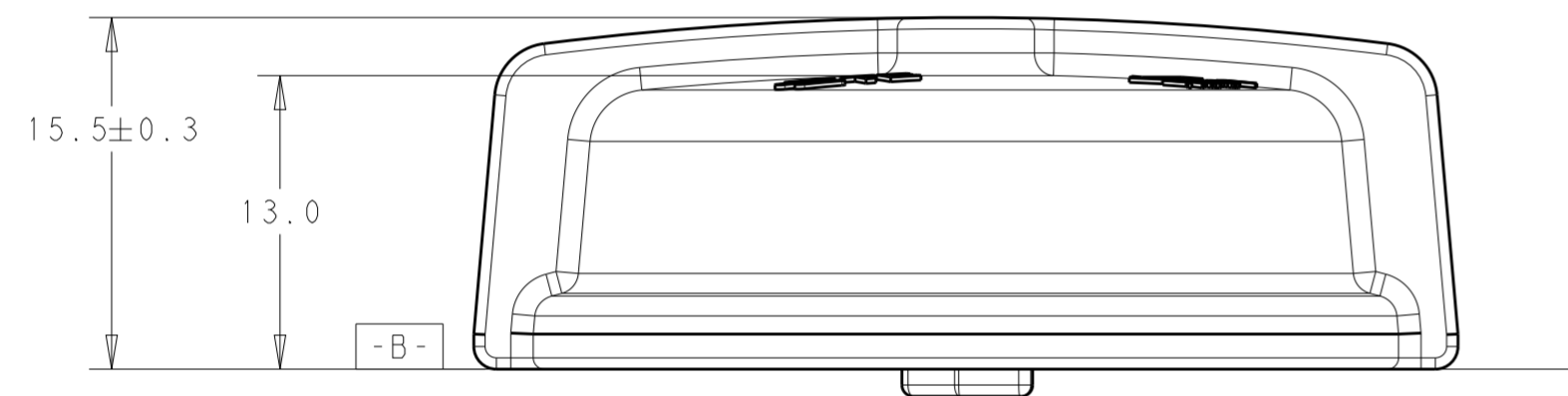
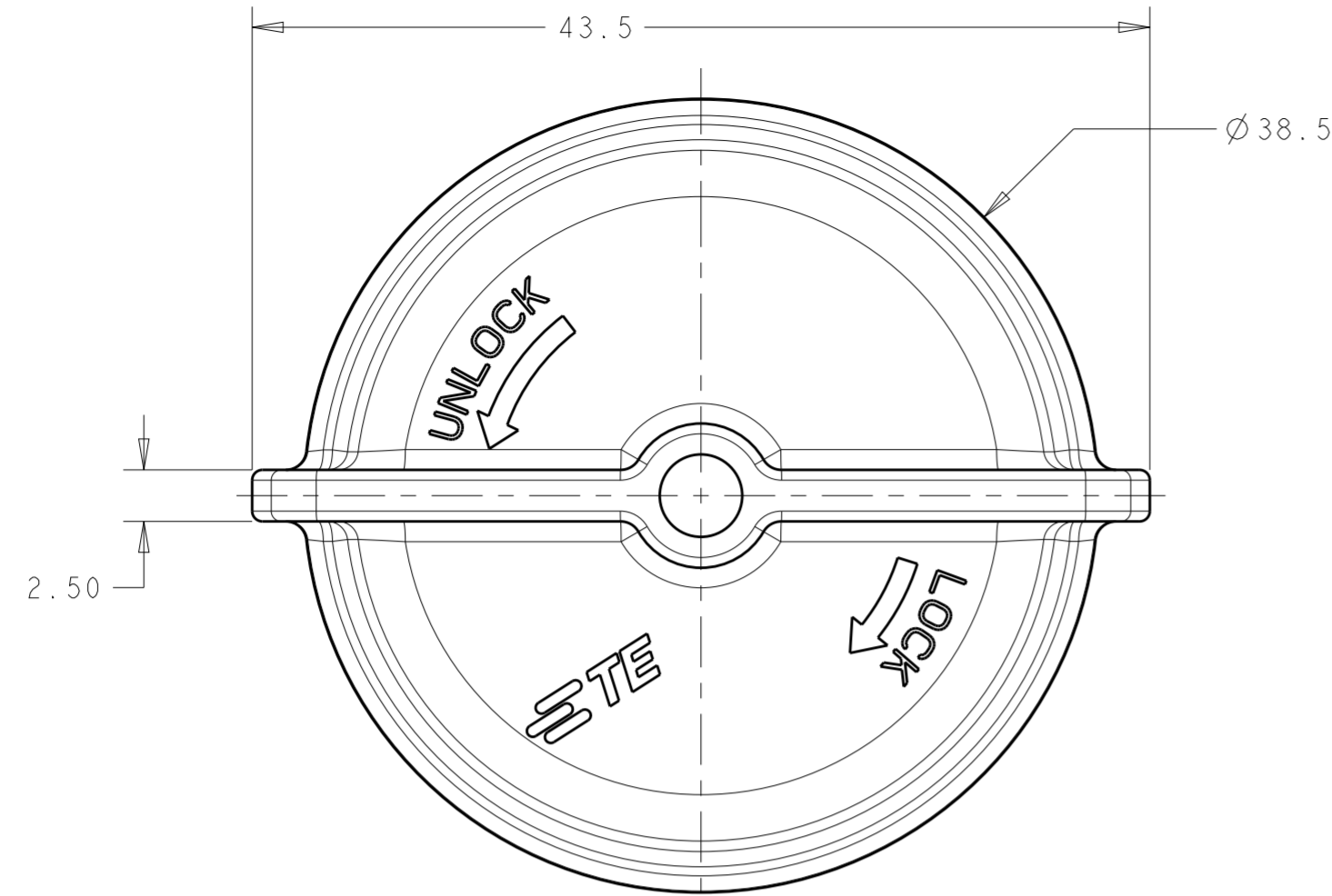


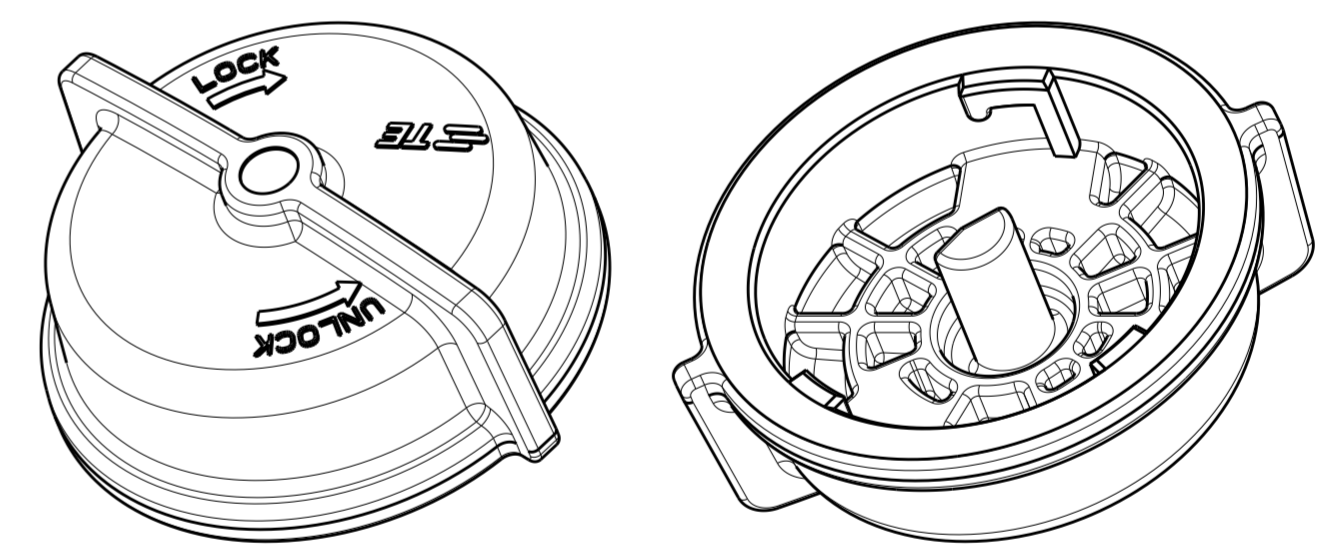
THIS DRAWING IS UNPUBLISHED. RELEASED FOR PUBLICATION
 © COPYRIGHT copyright.d8te- ALL RIGHTS RESERVED.

REVISIONS				
P	LTR	DESCRIPTION	DATE	APVD
1		NEW DRAWING	07MAR2019	JS MM
2		ADD TOLERANCE TO OVERALL HEIGHT	17APR2019	JS EH
A		REVISED PER ECR-19-010853	16JUL2019	SR DD



NOTES:

- 1 MATERIALS AND FINISH:
 -SEALING CAP: PBT, COLOR: SEE TABLE
- 2. MUST COMPLY WITH DIRECTIVE 2002/95/EC (ROHS)
- 3. MATES WITH 2343403-X RECEPTACLES.



LIGHT GRAY	2341474-2
DARK GRAY	2341474-1
COLOR	PART NO.

THIS DRAWING IS A CONTROLLED DOCUMENT.		DWN C. DAILY	04APR2016	STE TE Connectivity	
		CHK E. HOWARD	04APR2016		
DIMENSIONS:		TOLERANCES UNLESS OTHERWISE SPECIFIED:		NAME	
mm		0 PLC ±		SEALING CAP, KEYED VERSION	
		1 PLC ±0.2		LUMAWISE ENDURANCE S	
		2 PLC ±0.15		-	
		3 PLC ±		SIZE	
		4 PLC ±		A2	
		ANGLES ±2		CAGE CODE	
		FINISH		-	
MATERIAL		CUSTOMER DRAWING		DRAWING NO	
				G-2341474	
				RESTRICTED TO	
				-	
				SCALE	
				5:1	
				SHEET	
				1 OF 1	
				REV	
				A	