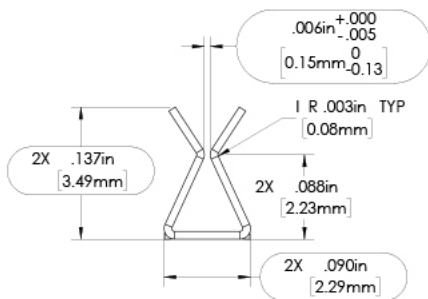


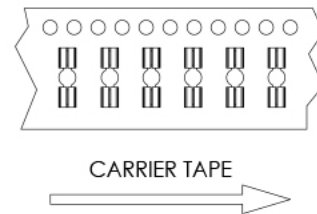
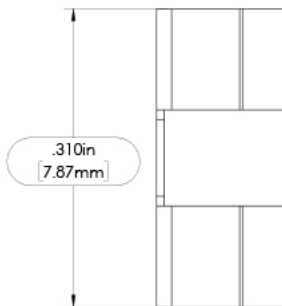
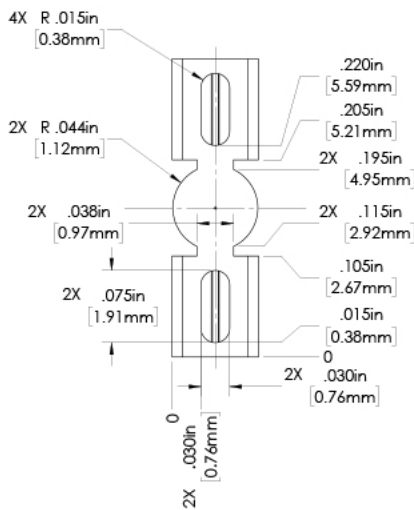
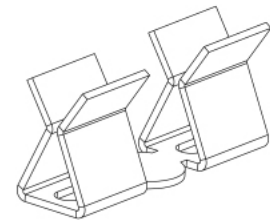
8 7 6 5 4 3 2 1

NOTES:

1. DIMENSIONS SHOWN IN BRACKETS IN MILLIMETERS



RECOMMENDED SOLDER PAD SIZE
(.090 [2.29] X .335 [8.51])



CARRIER TAPE SPECIFICATIONS				
PART NUMBER	OVERALL DIMENSIONS	OVERALL HEIGHT	CARRIER TAPE WIDTH	PARTS PER
TC-01	.090 X .310 [2.29 X 7.87]	.137 [3.49]	16 mm	2200
UNLESS OTHERWISE SPECIFIED: - ALL DIMENSIONS ARE IN INCHES - PART SHALL BE FREE OF BURRS AND SHARP EDGES - ALL DIMENSIONS SHOWN APPLY AFTER PLATING AND COATINGS - RoHS COMPLIANT PER EU DIRECTIVE 2011/65/EU - POI = POINT OF INTERSECTION		THIRD ANGLE PROJECTION 	LEADER TECH a HEICO company <i>The Leading Edge in SMT Marking Hardware</i>	
DRIVEN BY: ND 2015-07-08		APPROVED BY: RS 2015-07-20	TECH CLIP	
FINISH: BRIGHT TIN (100 MICROINCHES MINIMUM)		SEE: B	DWG. NO.: TC-01	
MATERIAL: .008" [20] C5191 PHOS BRONZE (1/2 H)		SCALE: 10:1	CAGE CODE: 4J674	SHEET: 1

THIS DOCUMENT CONTAINS PROPRIETARY INFORMATION OWNED BY LEADERTECH, OR DEVELOPED AT ITS OWN PRIVATE EXPENSE, AND MAY NOT BE USED, REPRODUCED OR DISCLOSED IN WHOLE OR IN PART FOR ANY PURPOSE INCLUDING DESIGN, MANUFACTURE OR PROCUREMENT WITHOUT THE WRITTEN PERMISSION OF LEADERTECH. LEADERTECH DOES NOT GUARANTEE OR WARRANT THE PERFORMANCE CHARACTERISTICS.

8 7 6 5 4 3 2 1