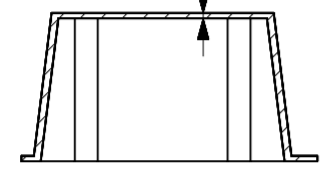


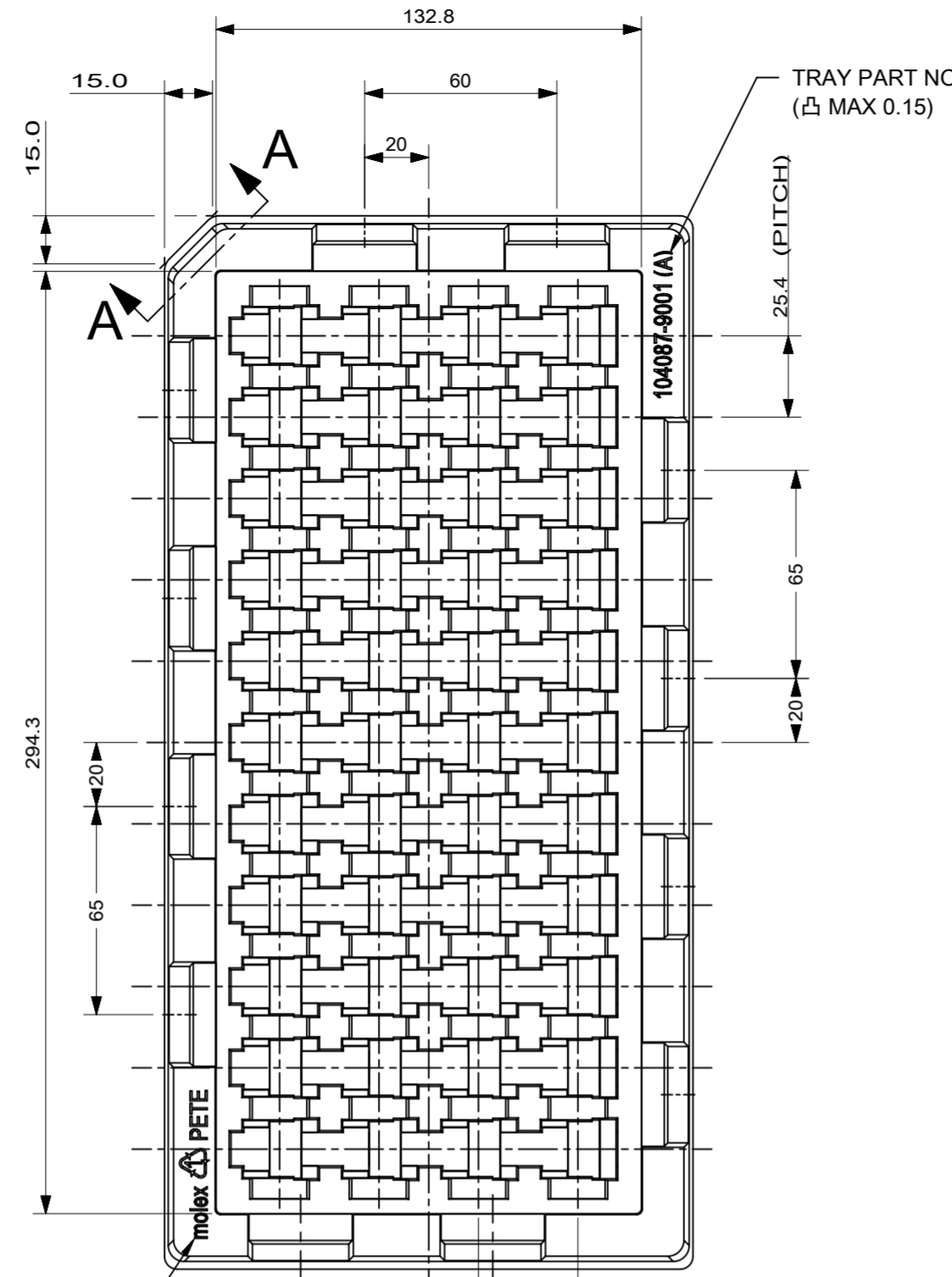
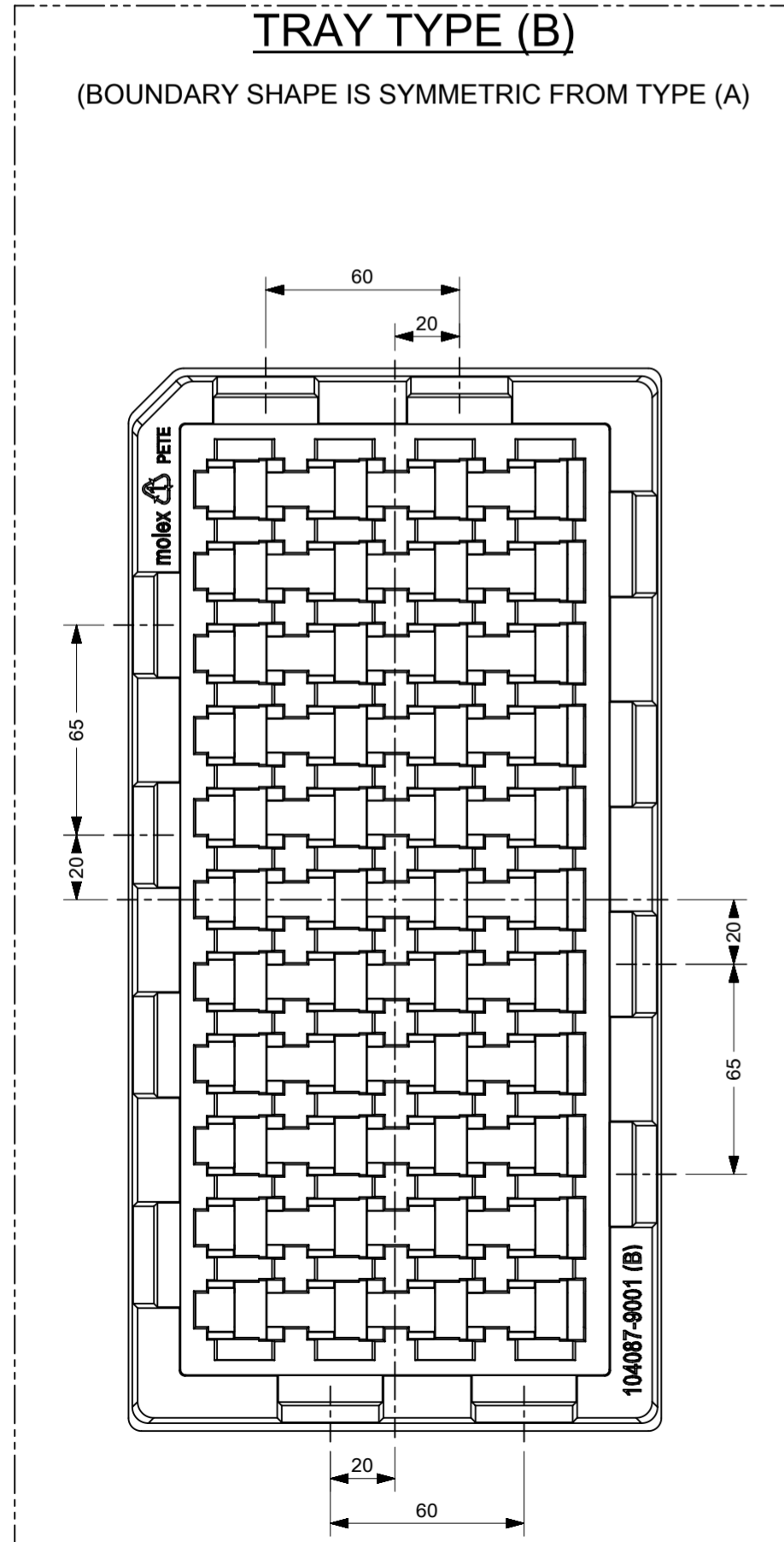
THICKNESS MEASURING AREA  
THICKNESS: MIN. 0.7mm (AFTER FORMING)



SECTION A-A  
SCALE 1:1

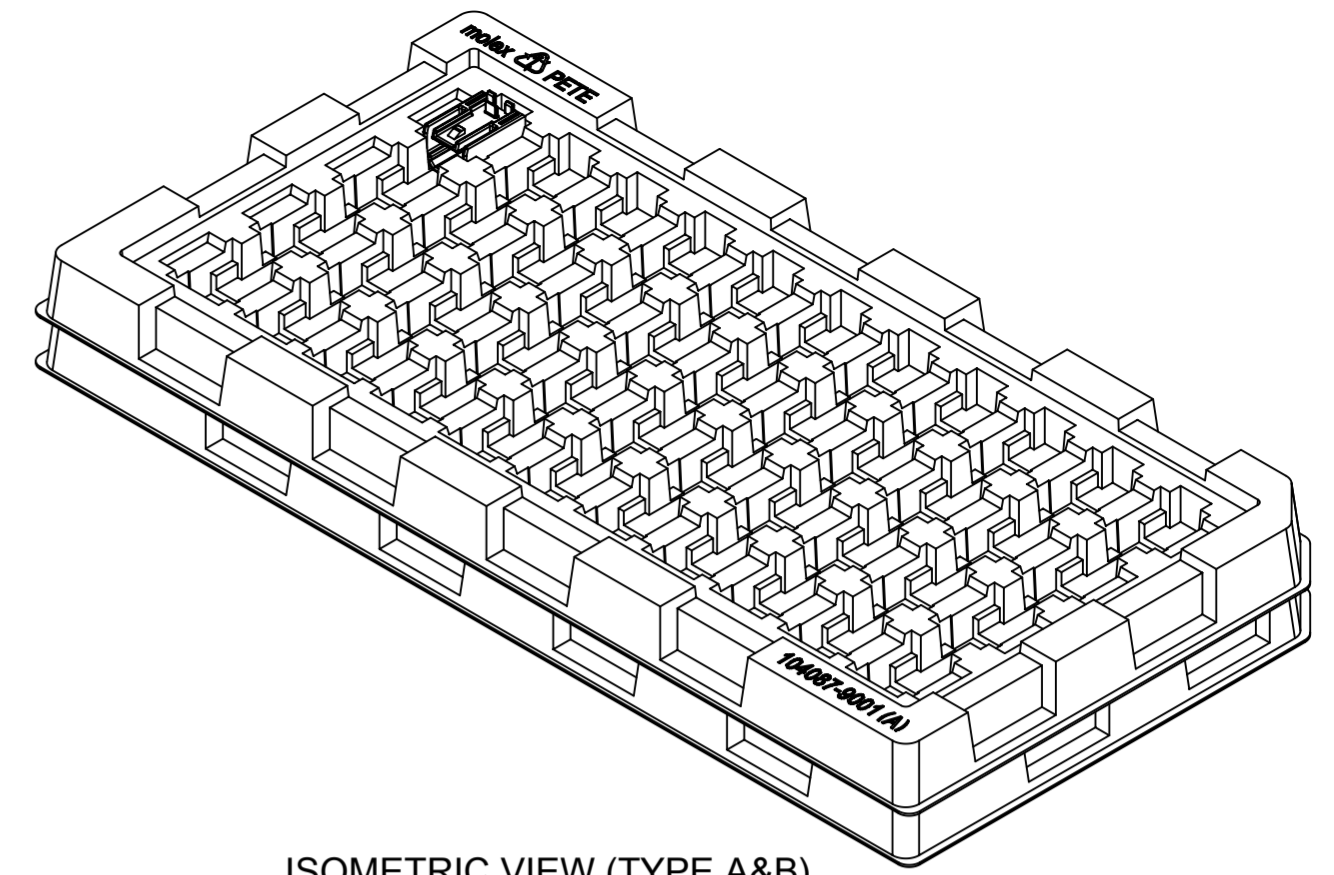
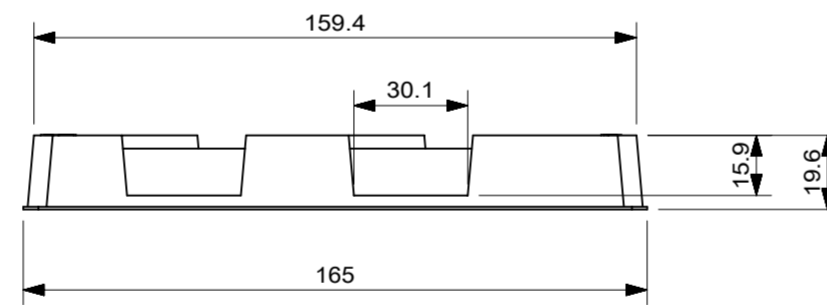
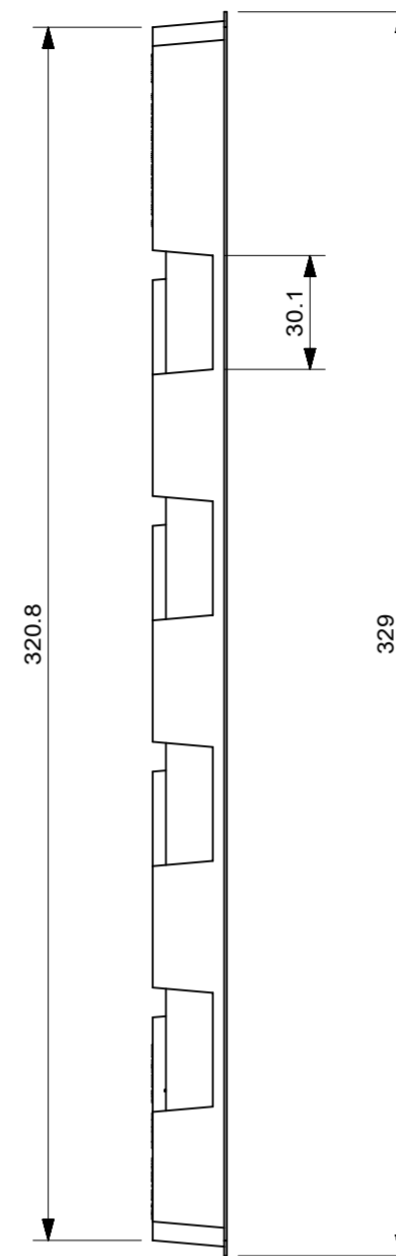
**TRAY TYPE (B)**

(BOUNDARY SHAPE IS SYMMETRIC FROM TYPE (A))



MOLEX LOGO  
& RECYCLE MARK  
( $\Delta$  MAX 0.15)

TRAY PART NO.  
( $\Delta$  MAX 0.15)



ISOMETRIC VIEW (TYPE A&B)  
SCALE 1:2

SYMBOLS	THIS DRAWING CONTAINS INFORMATION THAT IS PROPRIETARY TO MOLEX ELECTRONIC TECHNOLOGIES, LLC AND SHOULD NOT BE USED WITHOUT WRITTEN PERMISSION								
	DIMENSION UNITS	SCALE	CURRENT REV DESC:						
$\nabla$ = 0	mm	1:2	EC NO: 609398 DRWN: SPARK04 2018/12/20 CHK'D: JHJANG 2019/01/08 APPR: JHJANG 2019/01/08						
$\nabla$ = 0	GENERAL TOLERANCES (UNLESS SPECIFIED)								
$\nabla$ = 0	ANGULAR TOL $\pm$ 1.0°								
$\nabla$ = 0	4 PLACES $\pm$								
$\nabla$ = 0	3 PLACES $\pm$		INITIAL REVISION: DRWN: BCYOON 2011/02/01 APPR: YUNSIKKIM 2011/02/14						
$\nabla$ = 0	2 PLACES $\pm$ 0.3								
$\nabla$ = 0	1 PLACE $\pm$ 0.5		DOCUMENT NUMBER <b>SD-104087-001</b>						
$\nabla$ = 0	0 PLACES $\pm$								
$\nabla$ = 0	DRAFT WHERE APPLICABLE MUST REMAIN WITHIN DIMENSIONS	THIRD ANGLE PROJECTION	DRAWING	SERIES	MATERIAL NUMBER	CUSTOMER	DOC TYPE	DOC PART	REVISION
$\nabla$ = 0			A2-SIZE	104087	1040879001	GENERAL MARKET	PSD	001	A2
									SHEET NUMBER
									1 OF 1

**molex**

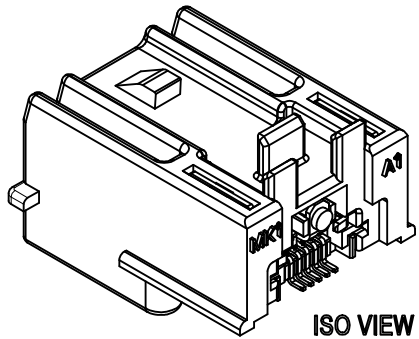
HSAUTOLINK R/A HEADER  
TRAY FOR HMI MODULE

PRODUCT CUSTOMER DRAWING

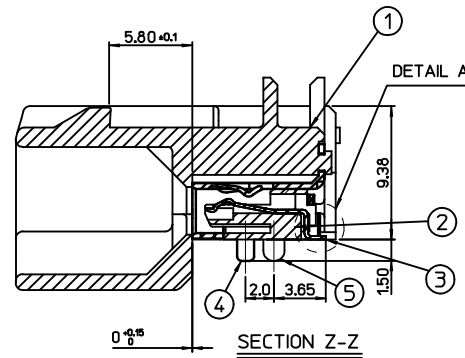
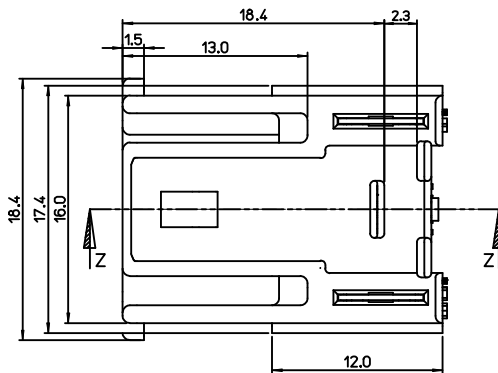
SD-104087-001

PSD 001 A2

MATERIAL NUMBER: 1040879001, CUSTOMER: GENERAL MARKET, SHEET NUMBER: 1 OF 1

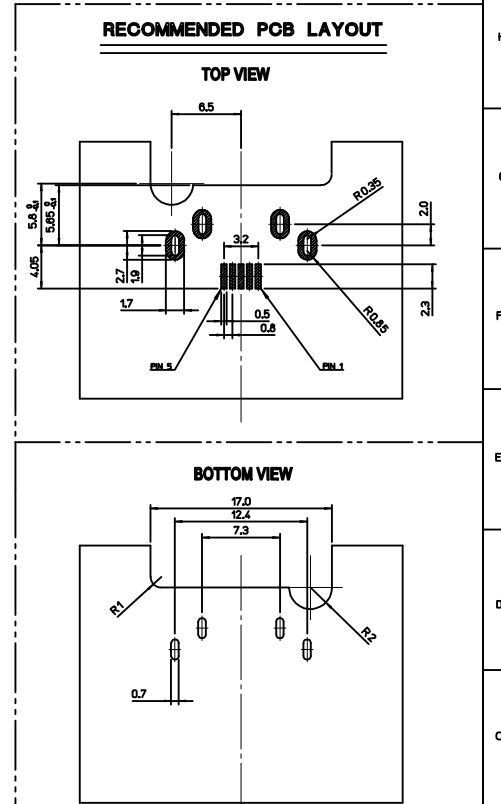
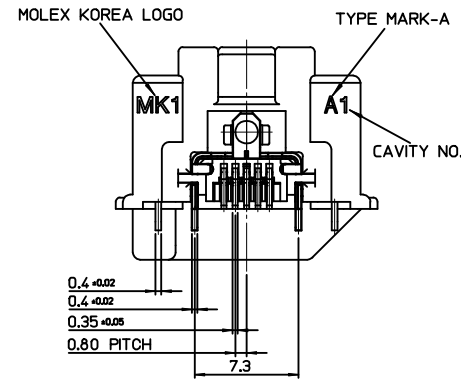
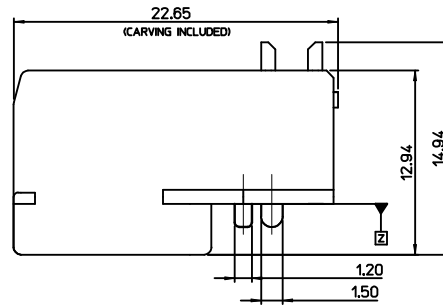
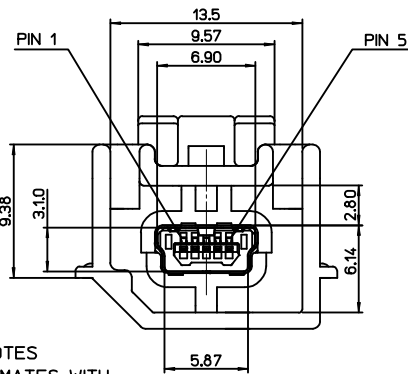


ISO VIEW



<PART LIST>

NO.	PART NAME	MATERIALS
①	SHROUD	SPS, GLASS FILLED, UL94 HB
②	REC. HOUSING	LCP, GLASS FILLED, UL94 V-0
③	TERMINAL	COPPER ALLOY
④	SHIELD CASE	PHOSPHOR BRONZE
⑤	FITTING NAIL	BRASS



- NOTES
- MATES WITH :  
(MOLEX SERIES NO. : 111014, 111015, 111005, 111041, 111019, 111020)
  - SHROUD GEOMETRY AND ASSEMBLY WITH USB MINI-B CONNECTOR ARE ACCORDING TO USCAR STD 999-U-USB-Z01
  - FINISHES
    - TERMINAL :  
CONTACT AREA : GOLD 0.75μm MIN.  
SOLDER TAIL AREA : TIN 3.84μm MIN.  
UNDER PLATING : NI 1.25μm MIN.
    - SHIELD CASE :  
3.04μm MIN. TIN OVER NI 1.04μm MIN.
    - FITTING NAIL :  
3.04μm MIN. TIN OVER NI 1.04μm MIN.
  - UNLESS OTHERWISE SPECIFIED, TYPICAL RECOMMENDED PCB MANUFACTURING TOLERANCE IS ±0.05
  - PCB THICKNESS : 1.6mm(REFERENCE)
  - COPLANARITY
    - CONTACT: 0.12 MAX.  
(REFLOW BEFORE,AFTER)

<TABLE 1>

MATERIAL NO.	ORDER NO.	COLOR	PACKING TYPE
1042230501	104223-0501	BLACK	TRAY
1042230901	104223-0901	BLACK	TAPE & REEL

NEW RELEASED  
EC NO: K1R2015-0047  
DRAWN: Y.BAEK 2014/12/03  
CHKD: JYCHOI  
APPR: JYCHOI 2014/12/05  
REV: A1

QUALITY SYMBOLS	GENERAL TOLERANCES (UNLESS SPECIFIED)		DIMENSION STYLE		SCALE	DESIGN UNITS	THIRD ANGLE PROJECTION
	mm	INCH	MM ONLY		4:1	METRIC	☉
▽=0	4 PLACES ±---	±---	DRAWN BY	DATE	TITLE		
▽=0	3 PLACES ±---	±---	Y1BAEK	2014/11/18	HSAUTOLINK R/A HEADER		
	2 PLACES ±0.15	±---	CHECKED BY	DATE	SMT TYPE-A		
	1 PLACE ±0.25	±---	APPROVED BY	DATE	MATERIAL NO.		
	ANGULAR ± 3°	±---	JYCHOI	2014/12/02	DOCUMENT NO.		
			DRAFT WHERE APPLICABLE MUST REMAIN WITHIN DIMENSIONS		SEE TABLE		

SIZE A2  
THIS DRAWING CONTAINS INFORMATION THAT IS PROPRIETARY TO MOLEX INCORPORATED AND SHOULD NOT BE USED WITHOUT WRITTEN PERMISSION

MOLEX INCORPORATED  
SD-104223-001  
SHEET NO. 1 OF 1