

NOTES UNLESS OTHERWISE SPECIFIED

1. GENERAL:

- a. APPLICATION SPECIFICATION SEE: AS-34763-001
- b. PRODUCT SPECIFICATION SEE: PS-34763-001
- c. PACKAGING SPECIFICATION PER MOLEX DRAWING: PK-31301-304
- d. PARTS MUST BE IN COMPLIANCE TO MOLEX CHEMICAL SUBSTANCES FOR PRODUCTS AND PACKAGING SPECIFICATION: ES-40000-5015
- e. DATA MUST BE SUBMITTED UNDER THE MOLEX PART NUMBER TO IMDS (COMPANY ID#13255)
- f. 0.64 PCB PRESS-FIT (COMPLIANT PIN) PER SD-34481-012 REV B
- g. 1.5 AND 2.8 PCB PRESS-FIT (COMPLIANT PIN) PER SD-78007-012 REV C
- h. PCB TO BE FR4 0.062" (1.6mm) THICK
- i. PRESS-FIT IS VALIDATED PER IEC 60532-5 2nd EDITION 2001-03

2. DESIGN - MATERIALS:

- 1. HOUSING PA66 35GF
- 2. PAP PA66 35GF
- 3. 0.64 TERMINAL C51000
- 4. 1.50 TERMINAL C51000
- 5. 2.80 TERMINAL C51000

3. DESIGN - GEOMETRY:

- a. THIS IS A 100% CAD GENERATED PART. THE CAD MATHEMATICAL DATA IS THE MASTER FOR THIS PART. FOR DIMENSIONAL OR ANY INFORMATION NOT SHOWN ON THIS DRAWING, ANALYZE THE CAD MODEL.
- b. PRODUCT DESIGN MODEL NUMBER(S): SEE BOM TABLE
- c. GEOMETRIC DIMENSIONS AND TOLERANCES PER ASME Y14.5M - 1994
- d. EDGES AND UNDIMENSIONED DETAILS PER ISO13715
- e. CORNERS SHOWN AS SHARP TO BE R 0.2 MAX.
- f. LETTERING SHALL BE 0.15 MAX RAISED. THIS INCLUDES RECYCLING CODE, CAVITY ID, MANUFACTURING LOCATION, AND MOLEX MATERIAL NUMBER.
- g. VISUAL DEFECTS SHALL MEET COSMETIC STANDARD PS-45499-002 (Class B)

4. TRUE POSITIONS OF THE EONS TO BE VERIFIED WITH A GO/NO GO FUNCTIONAL GAUGE. PART SHOULD BE CONSIDERED IN CONFORMANCE IF ALL THE PINS ARE PRESENT AND PROTRUDE THRU THE HOLES OF THE QUALIFIED PIN ALIGNMENT PLATE.

6. ALL DIMENSIONS APPLY TO THE PART AS SHIPPED FROM MOLEX. FINAL POSITIONING IS ACHEIVED WITH PCB APPLICATION TOOLING. REFERENCE AS-34763-001

7. HARNESS INTERFACE CONTROL DIMENSIONS DERIVED FROM SD-98644-006 REV B AND SD-98995-009 REV A.

8. LASER MARKING TO BE MARKED WITH:

- a. 2D DATA MATRIX CODE (2D DMC)
 - 12mm X 12mm SIZE
 - MARKING AND READING STANDARD: DATA MARIX (ECC200)
 - INFORMATION TO BE ENCODED:
 - CC YYDDSSSSMXN
 - CC=CONFIGURATION NUMBER PER CONFIGURATIONS/BOM TABLE
 - YY=YEAR
 - DDD=DAY OF THE YEAR
 - SSSS=INCREMENTAL SERIAL NUMBER
 - MXN=SUPPLIER DESIGNATION/MANUFACTURING LOCATION
- b. HUMAN READABLE CODE (HRC)
 - PERMANENTLY APPLIED ON THE PART WITH 1.5mm LETTER SIZE
 - INFORMATION TO BE PRINTED
 - 9 DIGIT MOLEX MATERIAL NUMBER
 - 4 DIGIT JULIAN MANUFACTURING DATE STAMP DDDY
 - 5 DIGIT INCREMENTAL SERIAL NUMBER
 - 1 DIGIT MOLEX MANUFACTURING CODE

9. DENOTES DIMENSIONS TO BE QUALIFIED WITH A FUNCTIONAL GAUGE FOR PPAP

10. TRUE POSITION OF THE MATE SIDE CONNECTOR BLADES TO BE VERIFIED WITH A GO/NO GO FUNCTIONAL GAUGE

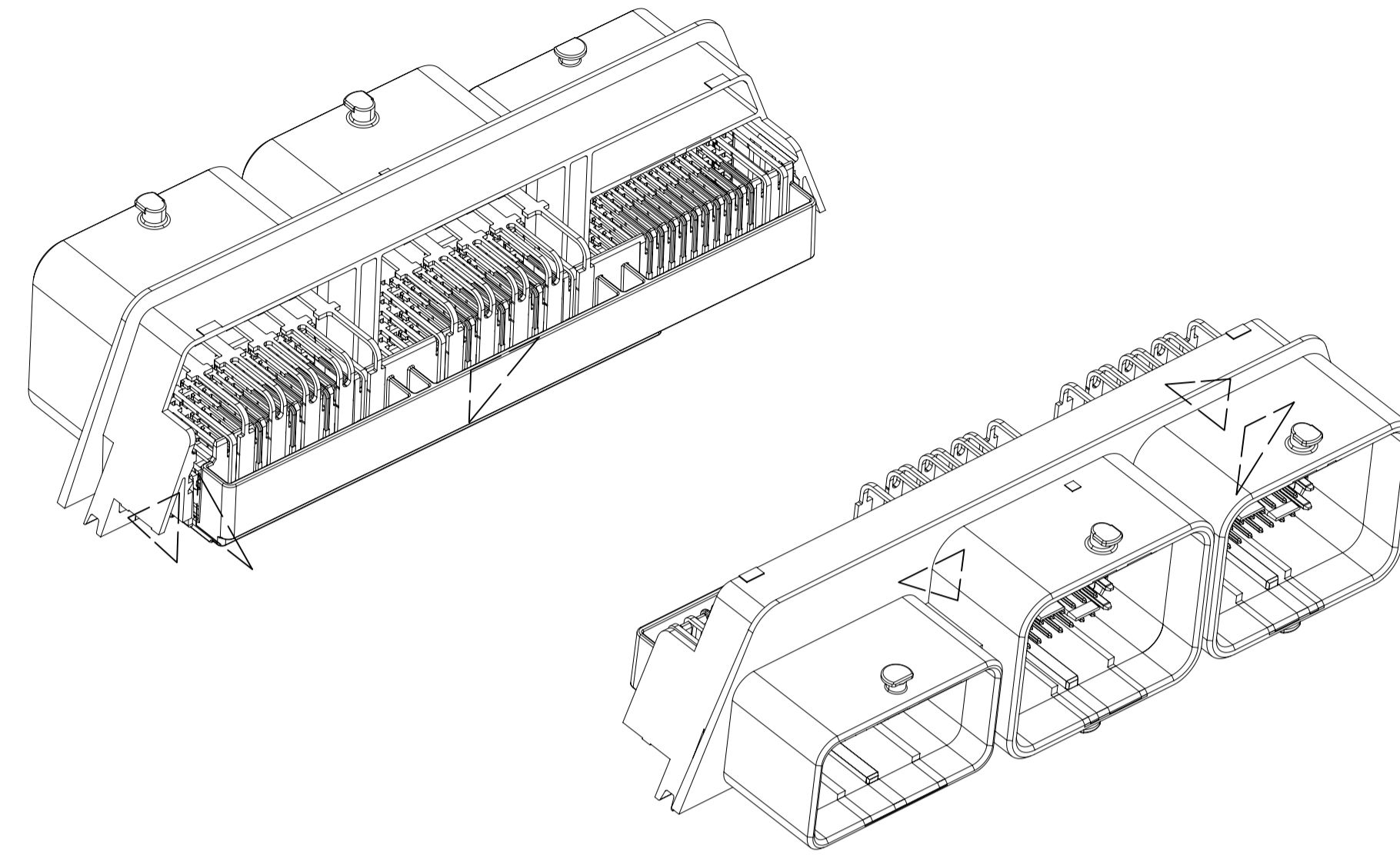
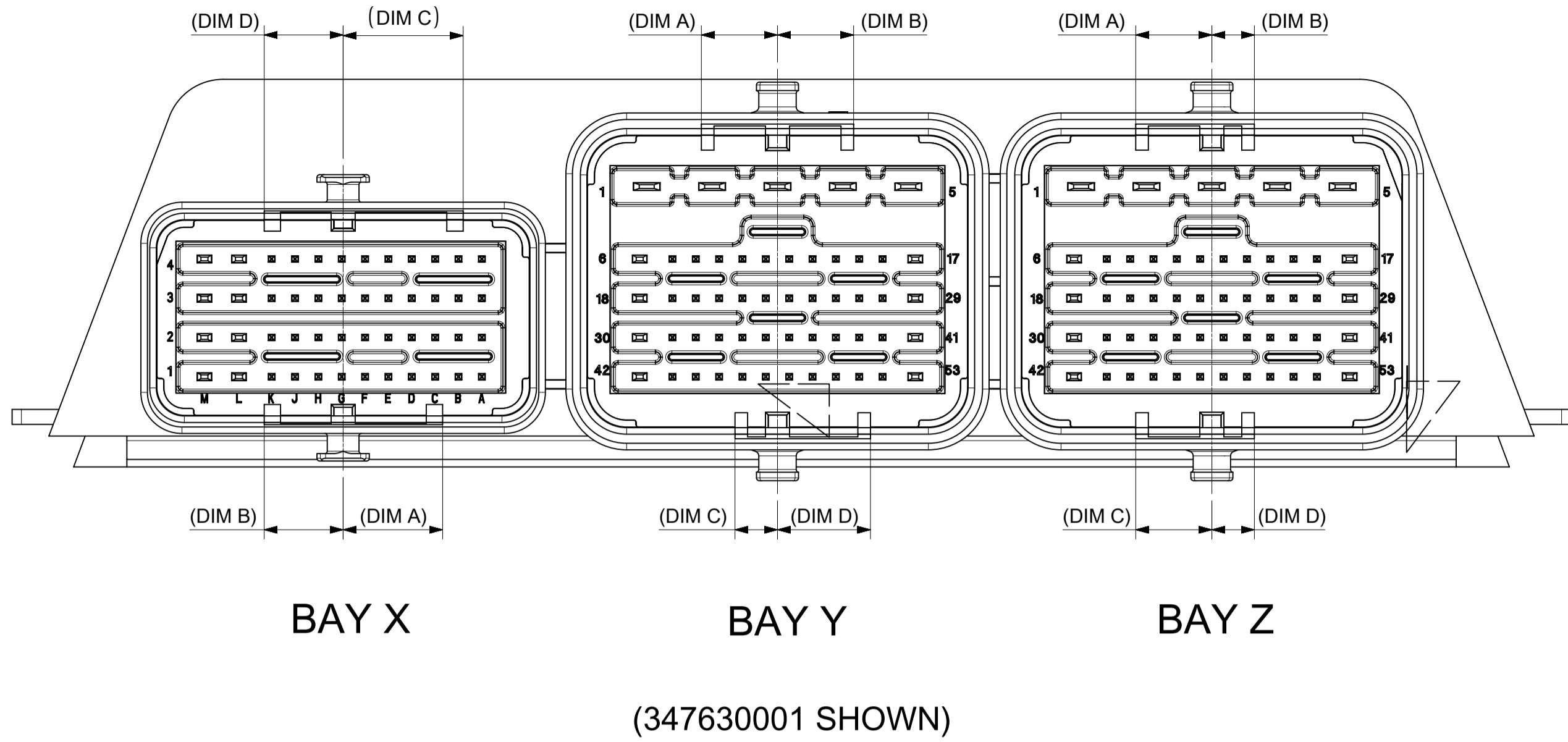


TABLE OF CONTENTS	
SHEET NO.	SHEET DESCRIPTION
1	NOTES AND BOM
2	CONFIGURATIONS
3	CASTING INTERFACE
4	EON/PCB INTERFACE
5	EON/PCB INTERFACE
6	PAP INTERFACE

INSPECTION BALLOON NUMBER LOG	
PER DRAWING REVISION: C	A1 ADDED CONFIGURATIONS AND GOLD MATERIAL NUMBERS
LAST BALLOON NUMBER USED: 114 ADDED	A ADDED CONFIGURATIONS, UPDATED PER MEASUREMENT PLAN
BALLOON NUMBERS: REMOVED	1 INITIAL RELEASE
BALLOON NUMBERS: 15, 21, 97-114	REV DESCRIPTION
D	UPDATED CONFIGURATIONS AND MATERIAL NOTES ON 0.64 TERMINAL
C	REMOVED EON SHOULDER LEAD-INS
B	ADDED EON SHOULDER LEAD-INS
A5	UPDATED TOLERANCES
A4	UPDATED LASER MARKING PER CUSTOMER REQUEST
A3	UPDATED PAP FOR MFG. CONSIDERATIONS
A2	UPDATED BLADES AND CM- CALLOUT

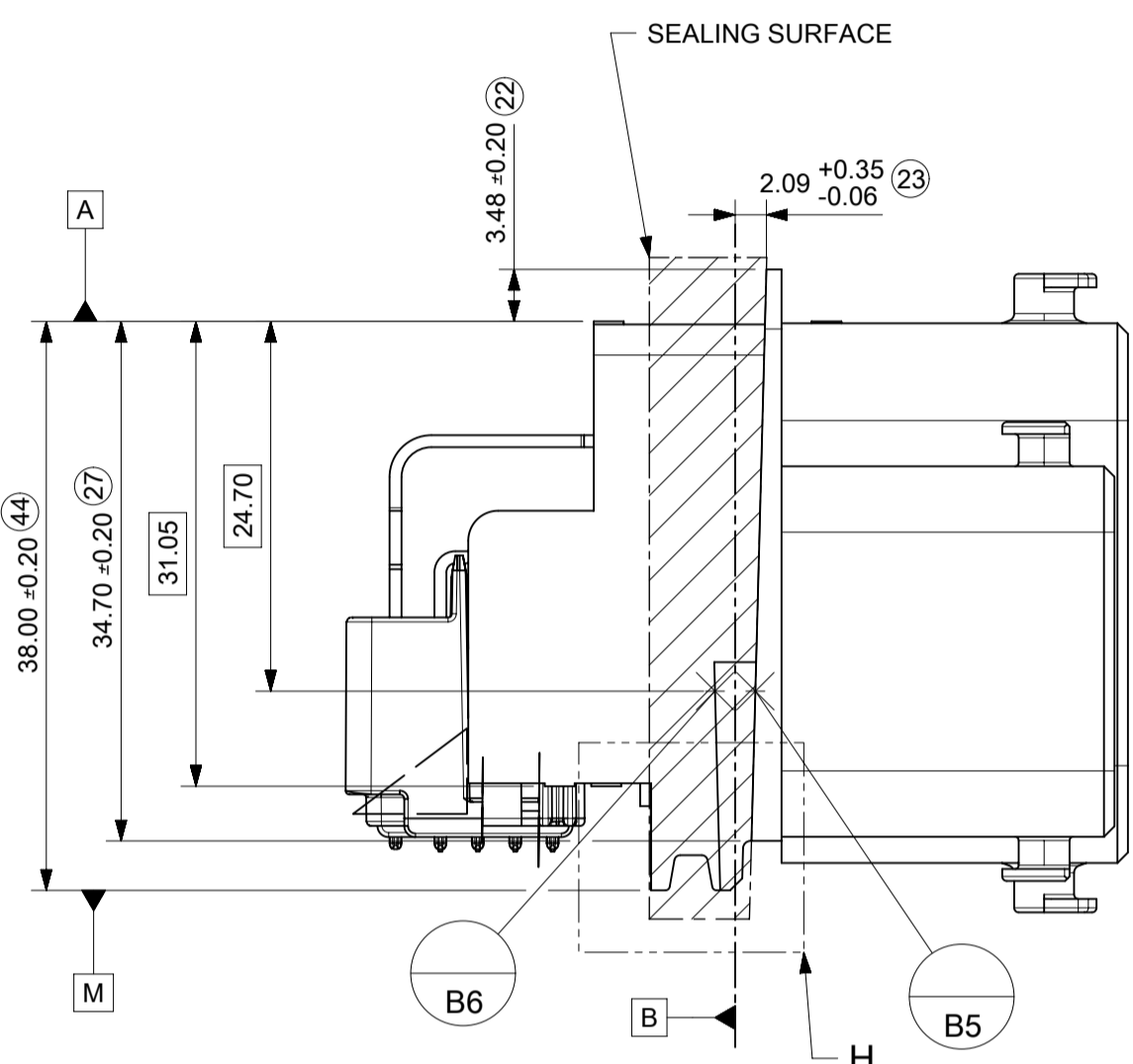
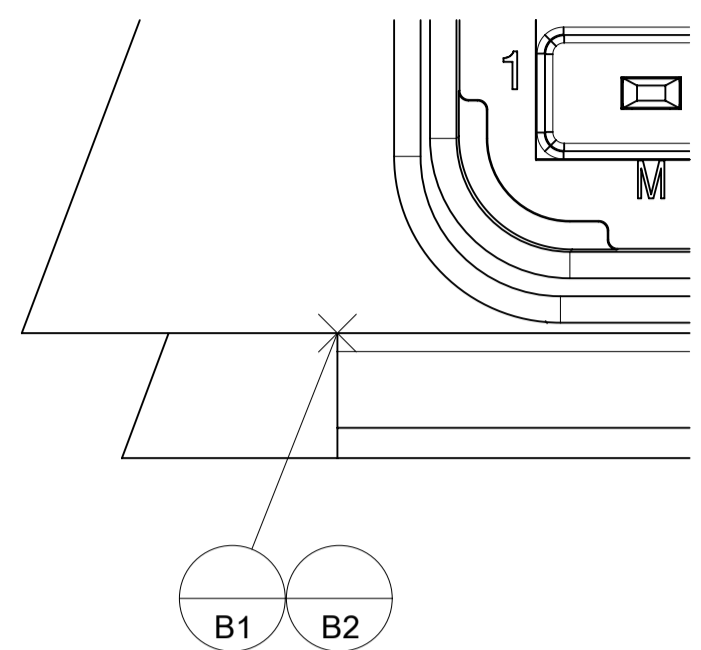
SYMBOLS THIS DRAWING CONTAINS INFORMATION THAT IS PROPRIETARY TO MOLEX ELECTRONIC TECHNOLOGIES, LLC AND SHOULD NOT BE USED WITHOUT WRITTEN PERMISSION DIMENSION UNITS: mm SCALE: 2:1 GENERAL TOLERANCES (UNLESS SPECIFIED): ANGULAR TOL ± 1.0° 4 PLACES ± 3 PLACES ± 2 PLACES ± 0.13 1 PLACE ± 0.25 0 PLACES ± DRAFT WHERE APPLICABLE MUST REMAIN WITHIN DIMENSIONS	CURRENT REV DESC: NX RE-MASTERING AND ADDING PCB LAY-OUT. EC NO: 620648 DRWN: FCULLARD 2019/07/10 CHK'D: OVERCHERE 2019/07/15 APPR: SLAFAURE 2019/07/19 INITIAL REVISION: DRWN: DGRIFITHS 2009/06/12 APPR: VKOSHY 2009/06/12		
	PRODUCT CUSTOMER DRAWING DOCUMENT NUMBER: SD-34763-001 DOC TYPE: PSD DOC PART: 001 REVISION: D1		MATERIAL NUMBER: SEE TABLE CUSTOMER: GENERAL MARKET SHEET NUMBER: 1 OF 6

CONFIGURATION / BOM													
CONFIGURATION No.	MATERIAL No.	DESCRIPTION	BAY	KEY CODING	COLOR	(DIM A)	(DIM B)	(DIM C)	(DIM D)	0.64 Blade Plating	1.50 Blade Plating	2.80 Blade Plating	PRODUCT DESIGN MODEL
01	347630001	156 Way	X (48)	2	GREY	10.65	8.45	12.85	8.45	Sn	Sn	Sn	CM-34763-001
			Y (53)	3	BROWN	8.15	8.15	4.55	9.95				
			Z (53)	1	BLACK	8.15	4.55	8.15	4.55				
02	347630002	106 Way	X (0)	----	----	12.85	12.85	12.85	12.85	Sn	Sn	Sn	CM-34763-002
			Y (53)	3	BROWN	8.15	8.15	4.55	9.95				
			Z (53)	1	BLACK	8.15	4.55	8.15	4.55				
03	347630003	53 Way	X (0)	----	----	12.85	12.85	12.85	12.85	Sn	Sn	Sn	CM-34763-003
			Y (53)	3	BROWN	8.15	8.15	4.55	9.95				
			Z (0)	----	----	8.15	9.95	8.15	11.75				
04	347630004	101 Way	X (48)	3	BROWN	8.45	10.65	12.85	12.85	Sn	Sn	Sn	CM-34763-004
			Y (0)	----	----	8.15	9.95	8.15	11.75				
			Z (53)	1	BLACK	8.15	4.45	8.15	4.55				
05	347630005	154 Way	X (48)	3	BROWN	8.45	10.65	12.85	12.85	Sn	Sn	Sn	CM-34763-005
			Y (53)	3	BROWN	8.15	8.15	4.55	9.95				
			Z (53)	1	BLACK	8.15	4.55	8.15	4.55				
06	347630006	154 Way	X (48)	3	BROWN	8.45	10.65	12.85	12.85	Sn	Sn	Sn	CM-34763-006
			Y (53)	2	GREY	8.15	6.35	6.35	6.35				
			Z (53)	4	GREEN	4.55	9.95	8.15	11.75				
07	347630007	53 Way	X (0)	----	----	12.85	12.85	12.85	12.85	Sn	Sn	Sn	CM-34763-007
			Y (53)	1	BLACK	8.15	4.55	8.15	4.55				
			Z (0)	----	----	8.15	9.95	8.15	11.75				
08	347630008	154 Way	X (48)	3	BROWN	8.45	10.65	12.85	12.85	Sn	Sn	Sn	CM-34763-008
			Y (53)	2	GREY	8.15	6.35	6.35	6.35				
			Z (53)	1	BLACK	8.15	4.55	8.15	4.55				
09	347630009	53 Way	X (0)	----	----	12.85	12.85	12.85	12.85	Sn	Sn	Sn	CM-34763-009
			Y (53)	2	GREY	8.15	6.35	6.35	6.35				
			Z (0)	----	----	8.15	9.95	8.15	11.75				
10	347630010	154 Way	X (48)	3	BROWN	8.45	10.65	12.85	12.85	Sn	Sn	Sn	CM-34763-010
			Y (53)	3	BROWN	8.15	8.15	4.55	9.95				
			Z (53)	2	GREY	8.15	6.35	6.35	6.35				
11	347630011	154 Way	X (48)	3	BROWN	8.45	10.65	12.85	12.85	Sn	Sn	Sn	CM-34763-011
			Y (53)	3	BRONW	8.15	8.15	4.55	9.95				
			Z (53)	4	GREEN	4.55	9.95	8.15	11.75				
12	347630012	154 Way	X (48)	3	BROWN	8.45	10.65	12.85	12.85	Sn	Sn	Sn	CM-34763-012
			Y (53)	1	BLACK	8.15	4.55	8.15	9.95				
			Z (53)	4	GREEN	4.55	9.95	8.15	11.75				
13	347630013	154 Way	X (48)	3	BROWN	8.45	10.65	12.85	12.65	Au	Au	Sn	CM-34763-005
			Y (53)	3	BROWN	8.15	8.15	4.55	4.55				
			Z (53)	1	BLACK	8.15	4.55	8.15	11.75				
14	347630014	154 Way	X (48)	3	BROWN	8.45	10.65	12.85	12.85	Au	Au	Sn	CM-34763-008
			Y (53)	2	GREY	8.15	6.35	6.35	6.35				
			Z (53)	1	BLACK	8.15	4.55	8.15	4.55				
15	347630015	154 Way	X (48)	3	BROWN	8.45	10.65	12.85	12.85	Au	Au	Sn	CM-34763-011
			Y (53)	3	BROWN	8.15	8.15	4.55	9.95				
			Z (53)	4	GREEN	4.55	9.95	8.15	11.75				
16	347630016	154 Way	X (48)	3	BRONW	8.45	10.65	12.85	12.85	Au	Au	Sn	CM-34763-012
			Y (53)	1	BLACK	8.15	4.55	8.15	4.55				
			Z (53)	4	GREEN	4.55	9.95	8.15	11.75				
17	347630017	154 Way	X (48)	3	BROWN	8.45	10.65	12.85	12.85	Au	Au	Sn	CM-34763-006
			Y (53)	2	GREY	8.15	6.35	6.35	6.35				
			Z (53)	4	GREEN	4.55	9.95	8.15	11.75				
18	347630018	101 Way	X (48)	3	BROWN	8.45	10.65	12.85	12.85	Sn	Sn	Sn	CM-34763-013
			Y (0)	----	----	----	----	----	----				
			Z (53)	1	BLACK	8.15	4.55	8.15	4.55				

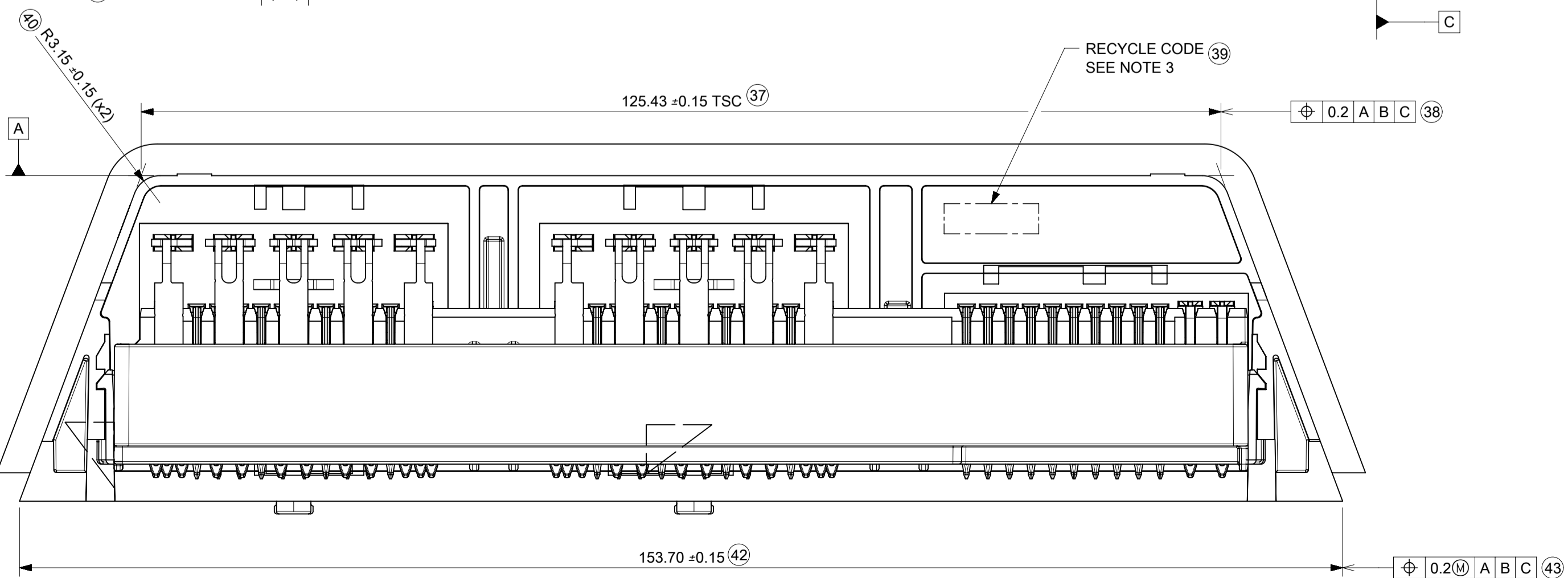
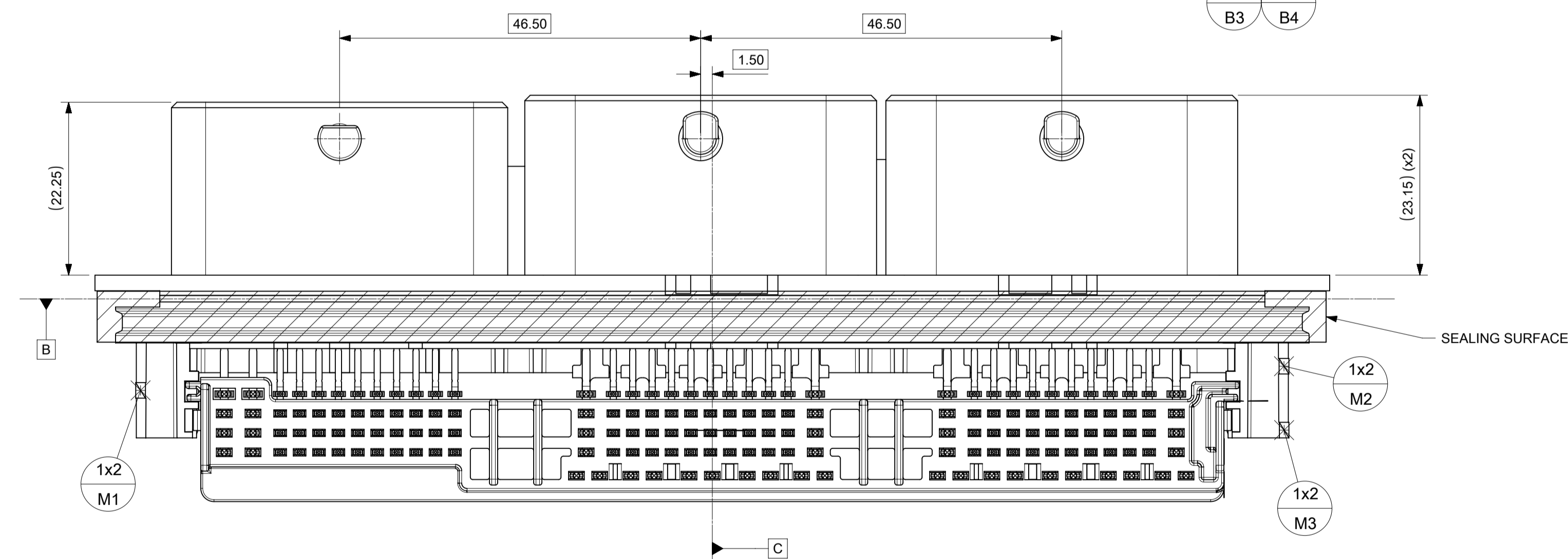
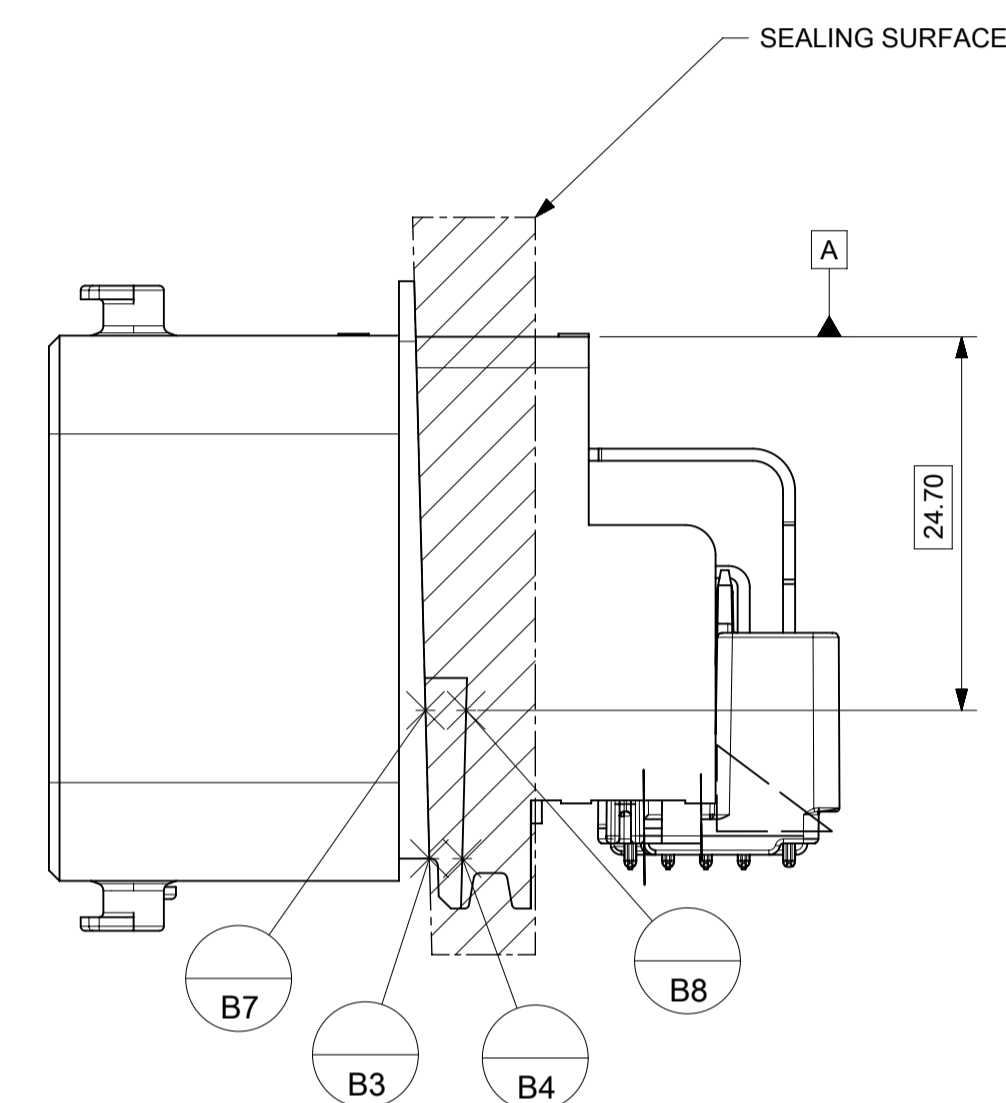
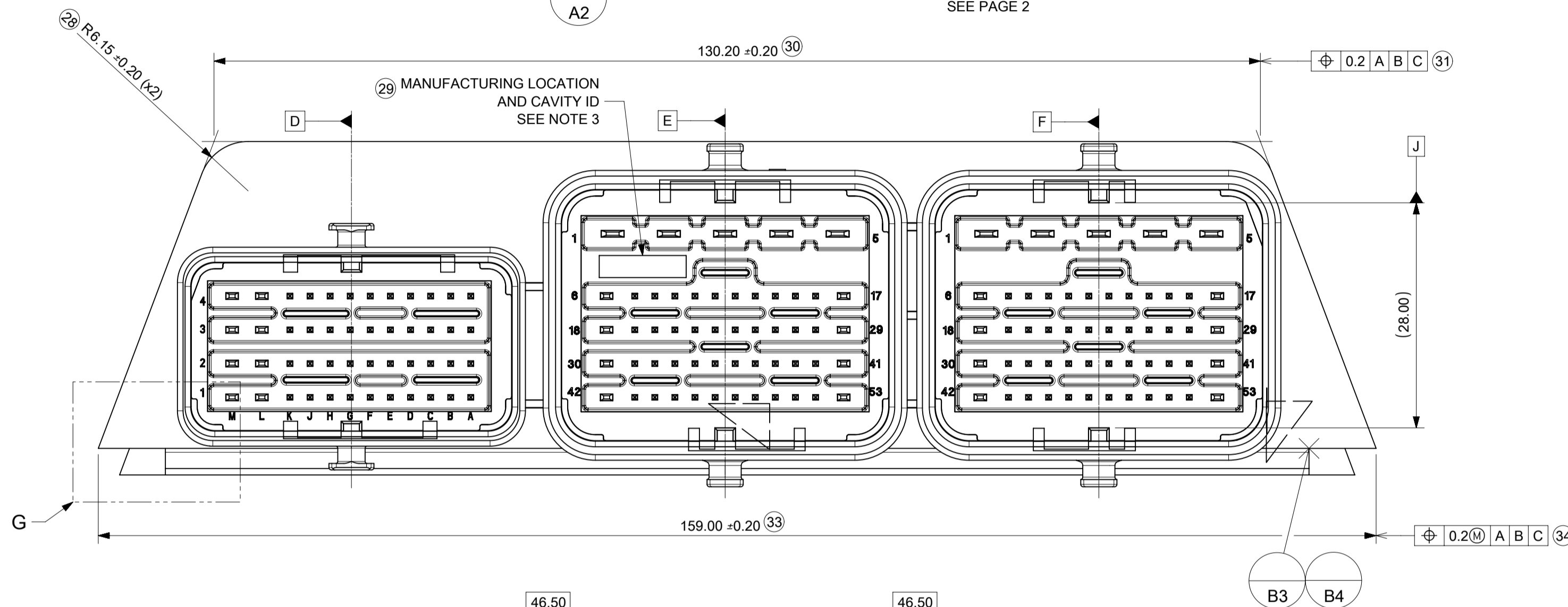
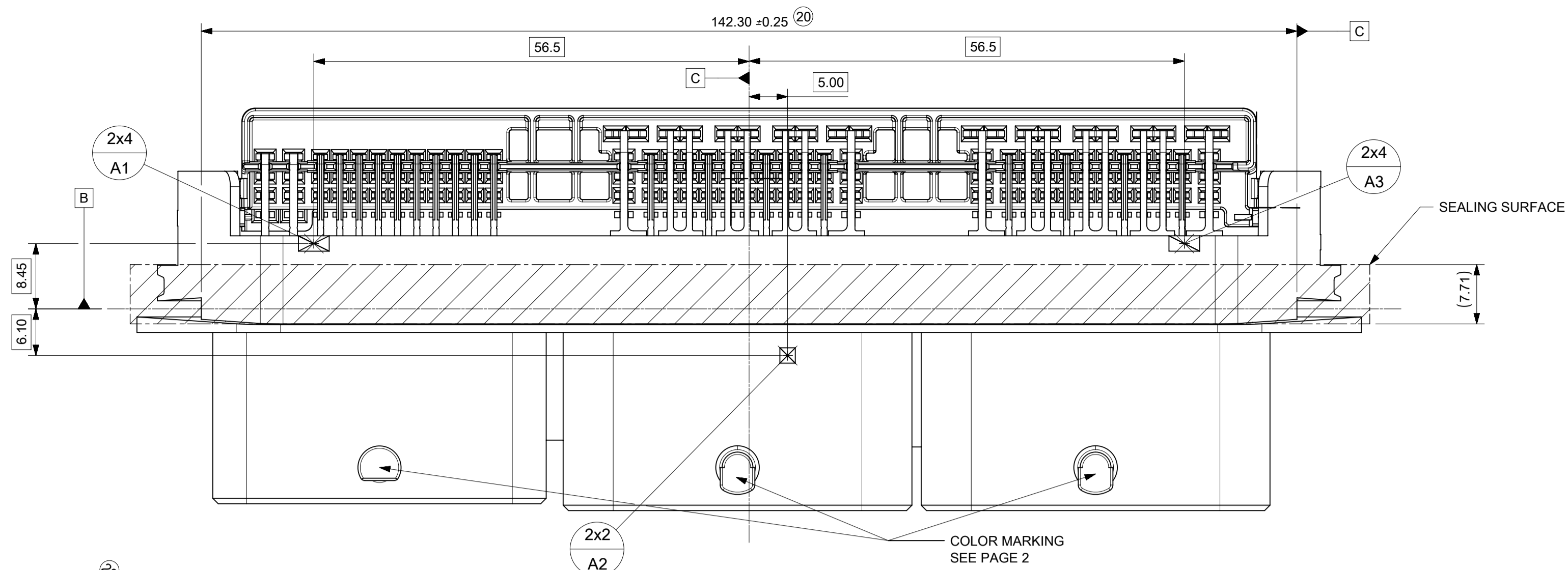
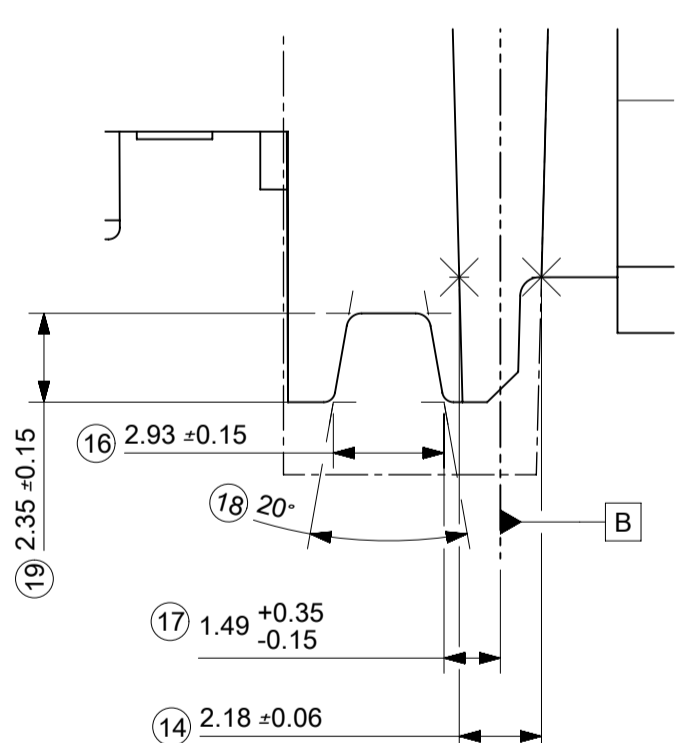


SYMBOLS = 0 = 0 = 0 = 0 = 0 = 0 = 0 = 0 = 0 = 0 = 0 = 0	THIS DRAWING CONTAINS INFORMATION THAT IS PROPRIETARY TO MOLEX ELECTRONIC TECHNOLOGIES, LLC AND SHOULD NOT BE USED WITHOUT WRITTEN PERMISSION		CURRENT REV DESC: NX RE-MASTERING AND ADDING PCB LAY-OUT.		 HEADER ASSEMBLY 154WAY CMC HEADER PRODUCT CUSTOMER DRAWING
	DIMENSION UNITS	SCALE	EC NO: 620648		
	mm	2:1	DRWN: FCULLARD	2019/07/10	
	GENERAL TOLERANCES (UNLESS SPECIFIED)		CHK'D: OVERCHERE	2019/07/15	
ANGULAR TOL ± 1.0°		APPR: SLAFAURE	2019/07/19		
4 PLACES ±		INITIAL REVISION:			
3 PLACES ±		DRWN: DGRIFITHS	2009/06/12		
2 PLACES ± 0.13		APPR: VKOSHY	2009/06/12		
1 PLACE ± 0.25		DOCUMENT NUMBER			
0 PLACES ±		SD-34763-001			
DRAFT WHERE APPLICABLE MUST REMAIN WITHIN DIMENSIONS		THIRD ANGLE PROJECTION	DRAWING		
		A1-SIZE	SERIES		
		34763	MATERIAL NUMBER		
		SEE TABLE	CUSTOMER		
		GENERAL MARKET	SHEET NUMBER		
			2 OF 6		

DETAIL G
SCALE 5:1



DETAIL H
SCALE 5:1



SYMBOLS		THIS DRAWING CONTAINS INFORMATION THAT IS PROPRIETARY TO MOLEX ELECTRONIC TECHNOLOGIES, LLC AND SHOULD NOT BE USED WITHOUT WRITTEN PERMISSION	
DIMENSION UNITS	SCALE	CURRENT REV DESC: NX RE-MASTERING AND ADDING PCB LAY-OUT.	
$\nabla = 0$	mm	2:1	
$\nabla = 0$	GENERAL TOLERANCES (UNLESS SPECIFIED)		
$\nabla = 0$	ANGULAR TOL $\pm 1.0^\circ$		
$\nabla = 0$	4 PLACES	\pm	
$\nabla = 0$	3 PLACES	\pm	
$\nabla = 0$	2 PLACES	± 0.13	
$\nabla = 0$	1 PLACE	± 0.25	
$\nabla = 0$	0 PLACES	\pm	
$\nabla = 0$	DRAFT WHERE APPLICABLE MUST REMAIN WITHIN DIMENSIONS		
$\nabla = 0$	THIRD ANGLE PROJECTION	DRAWING	SERIES
		A1-SIZE	34763
DOCUMENT NUMBER		CUSTOMER	REVISION
SD-34763-001		GENERAL MARKET	D1
MATERIAL NUMBER		SHEET NUMBER	
SEE TABLE		3 OF 6	

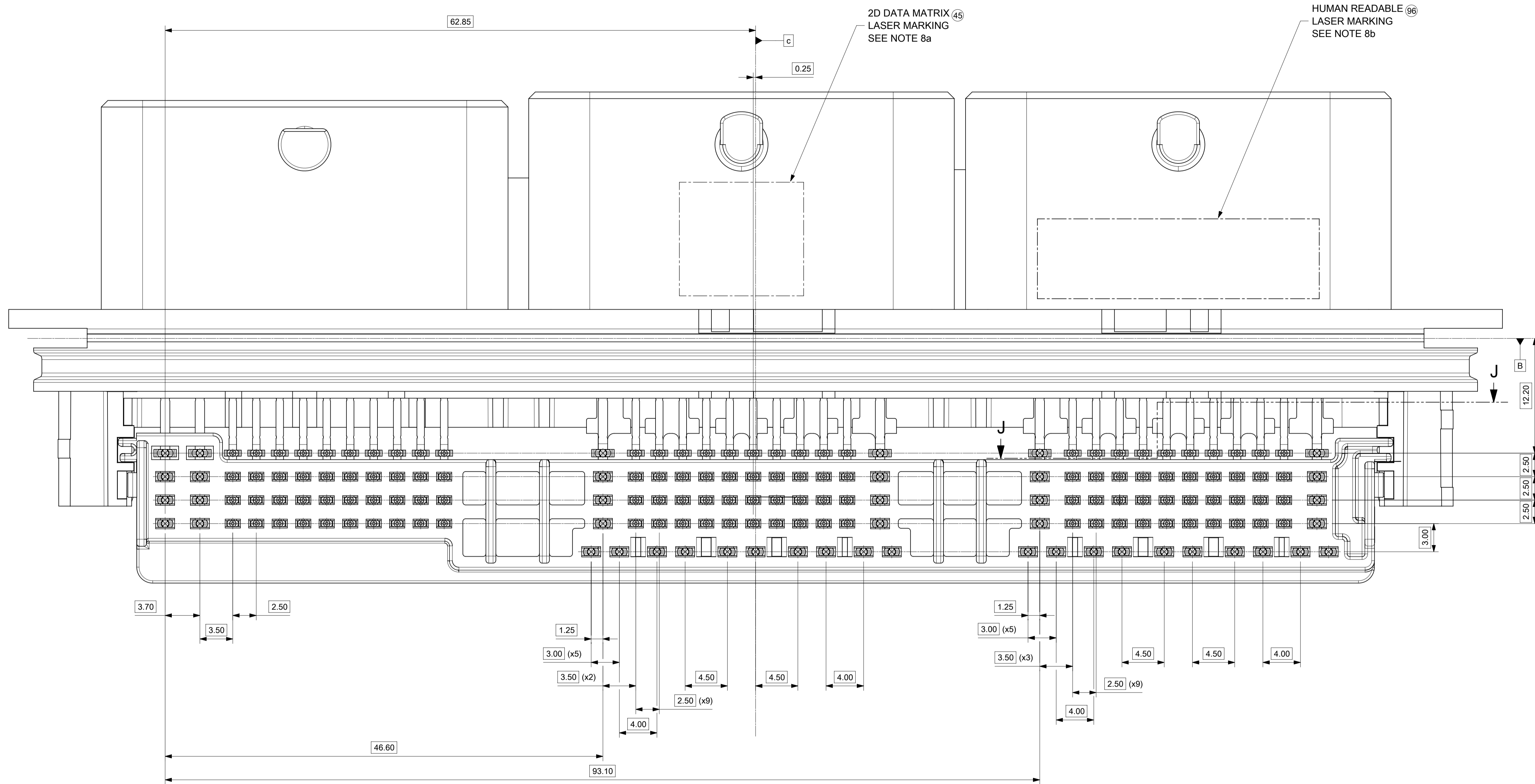
molex

HEADER ASSEMBLY
154WAY CMC HEADER

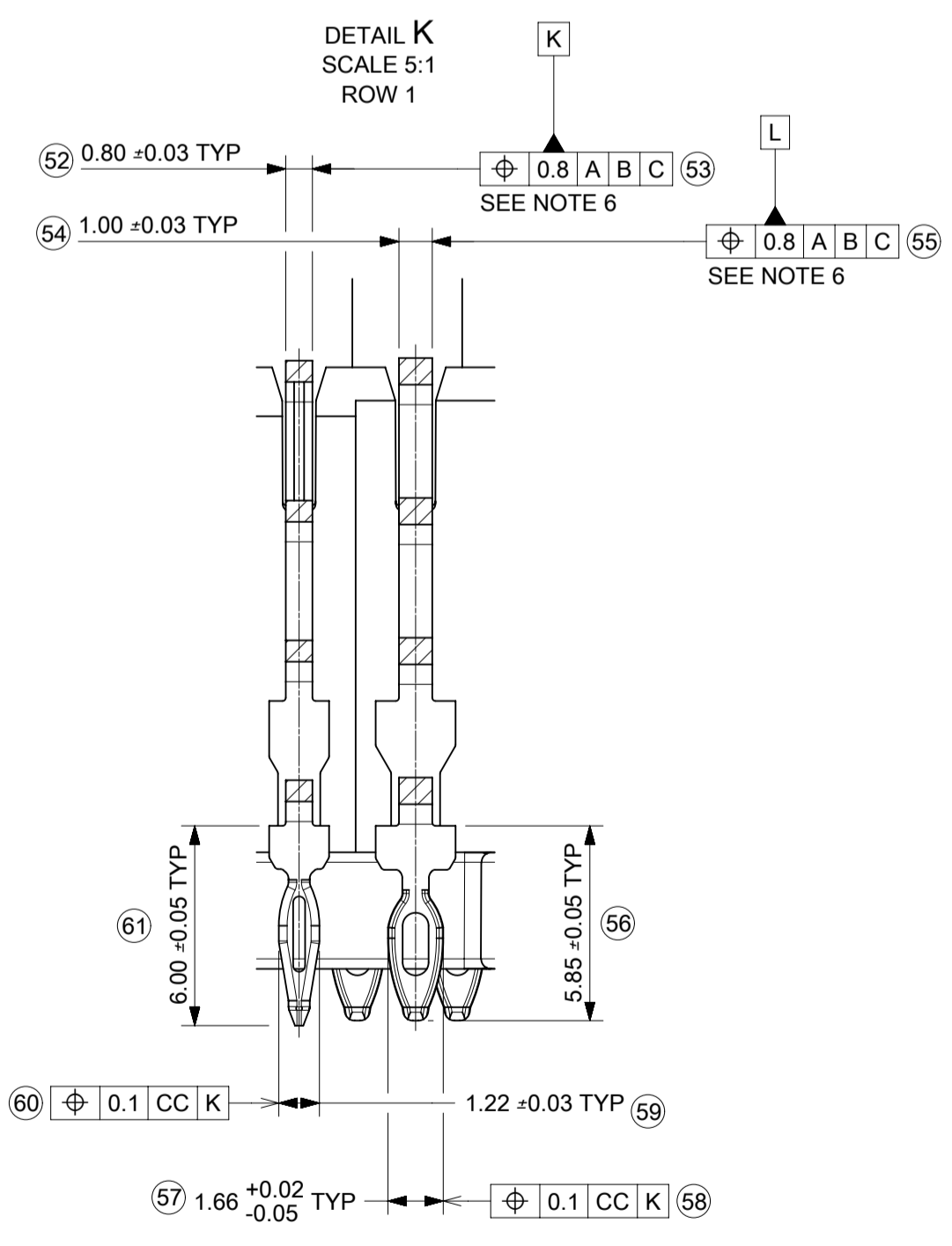
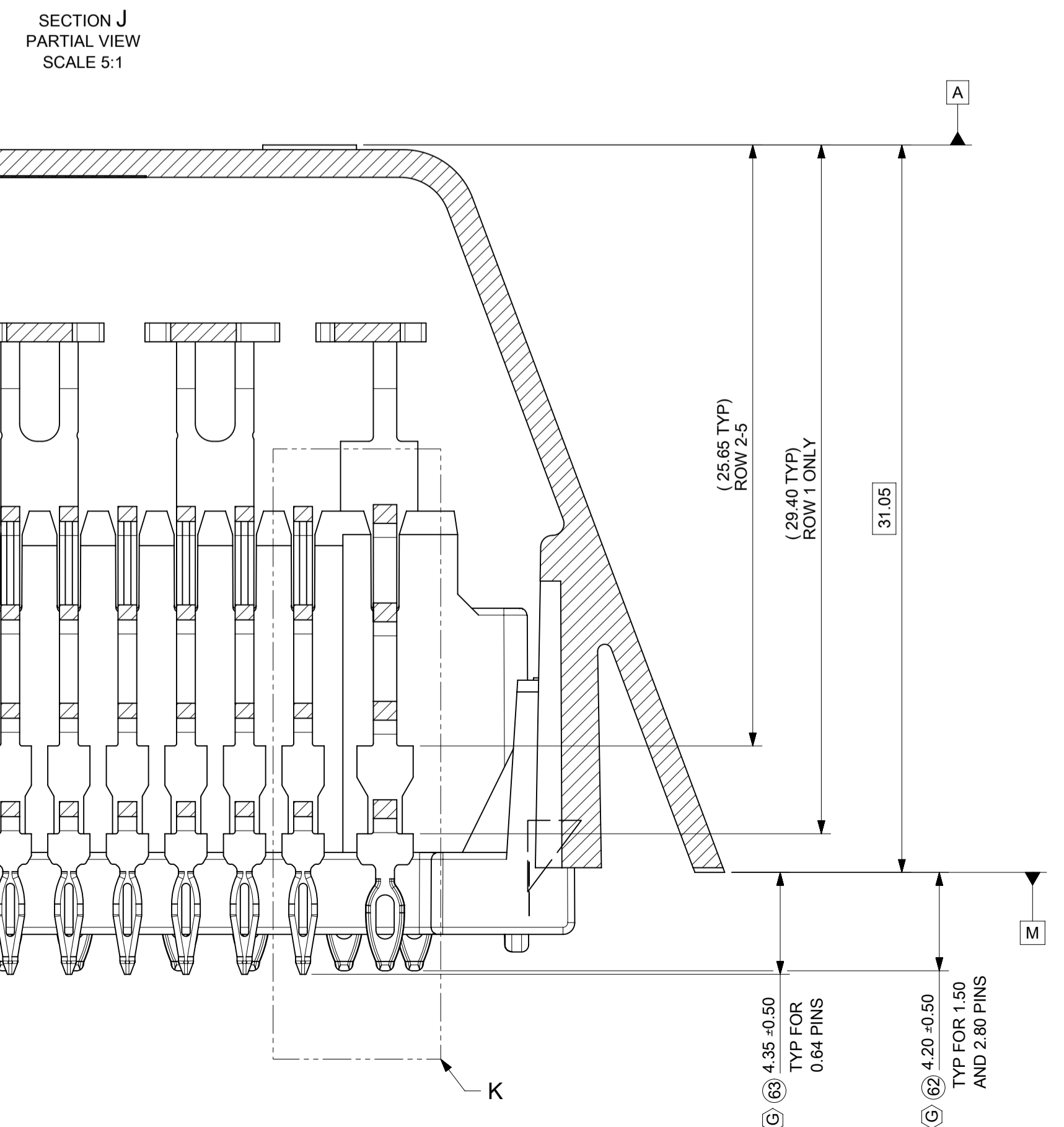
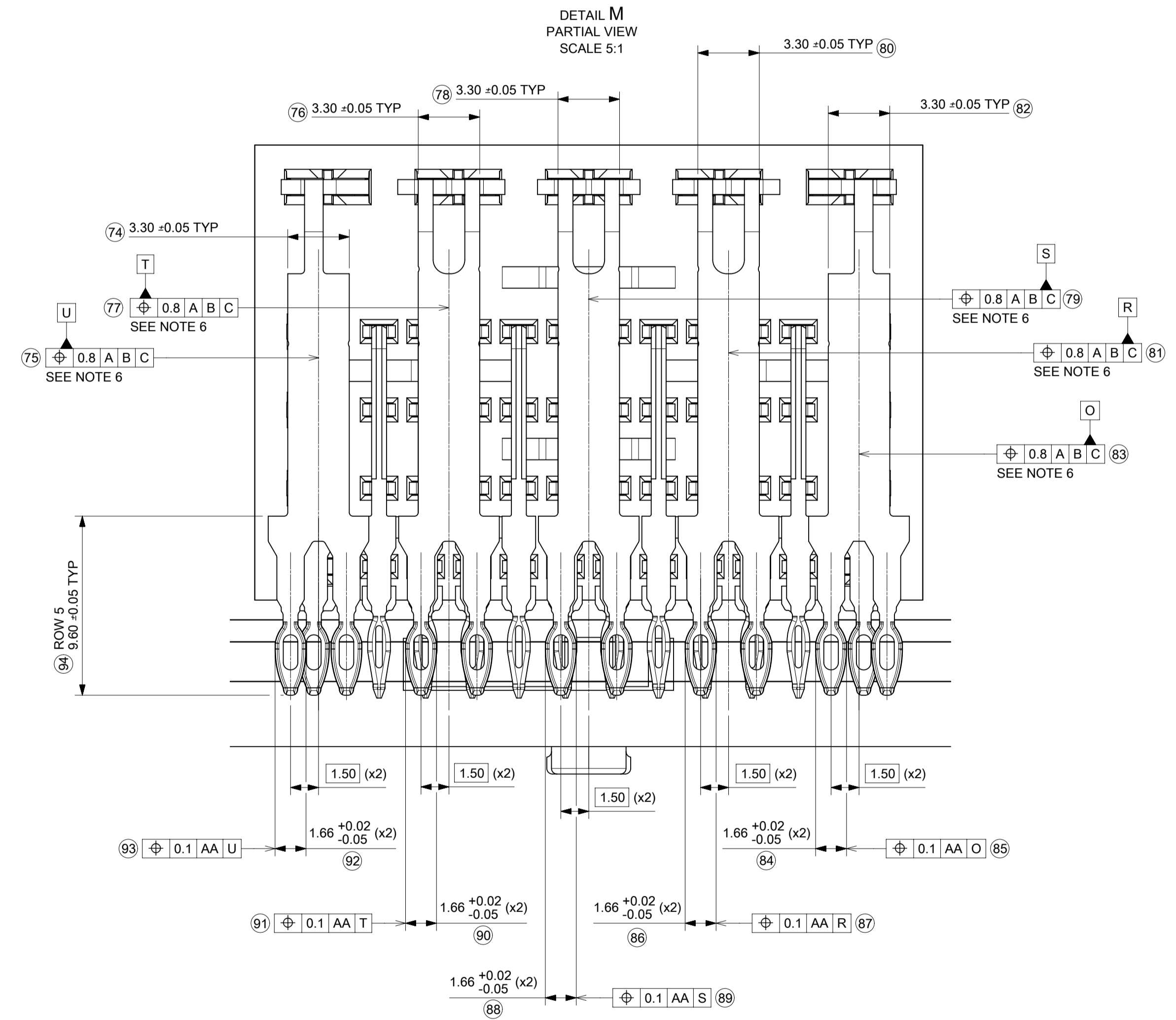
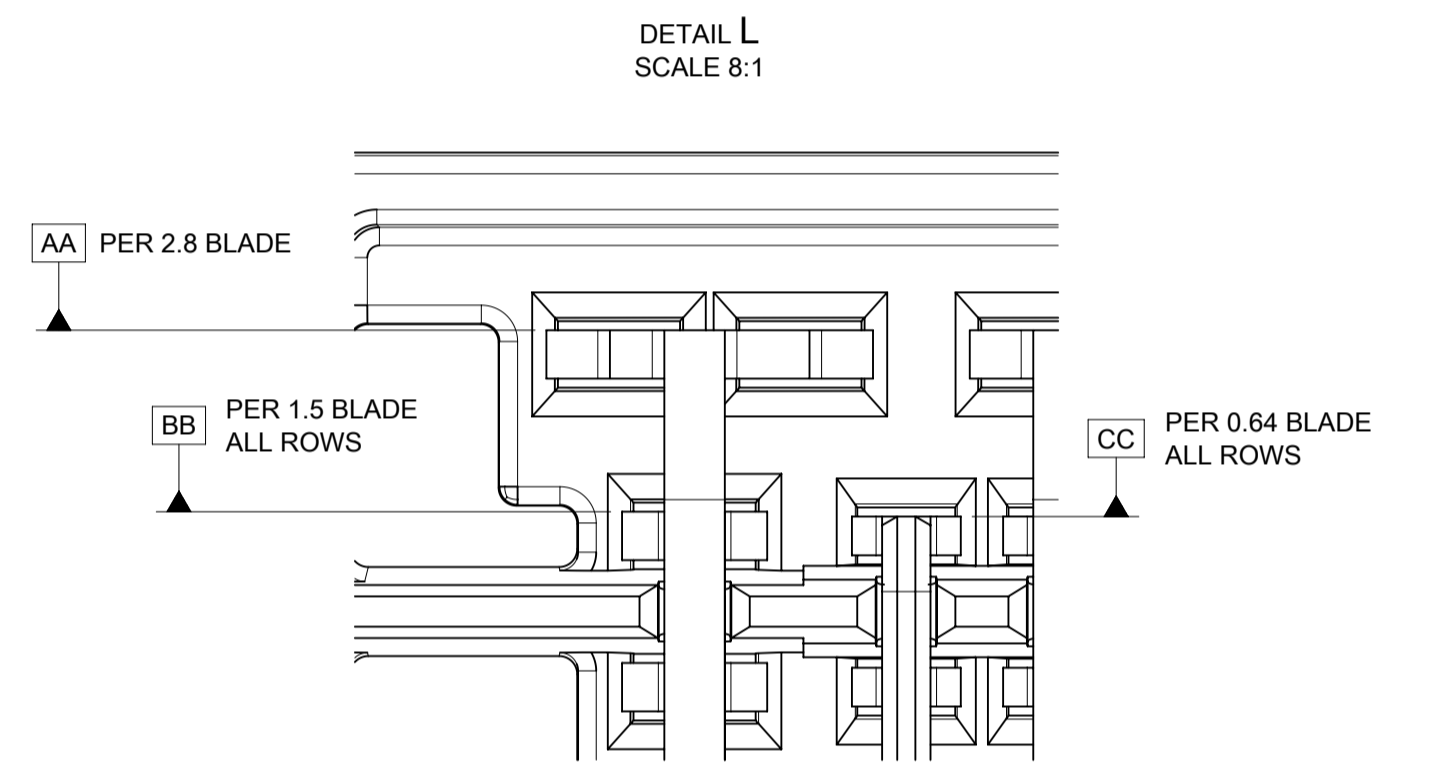
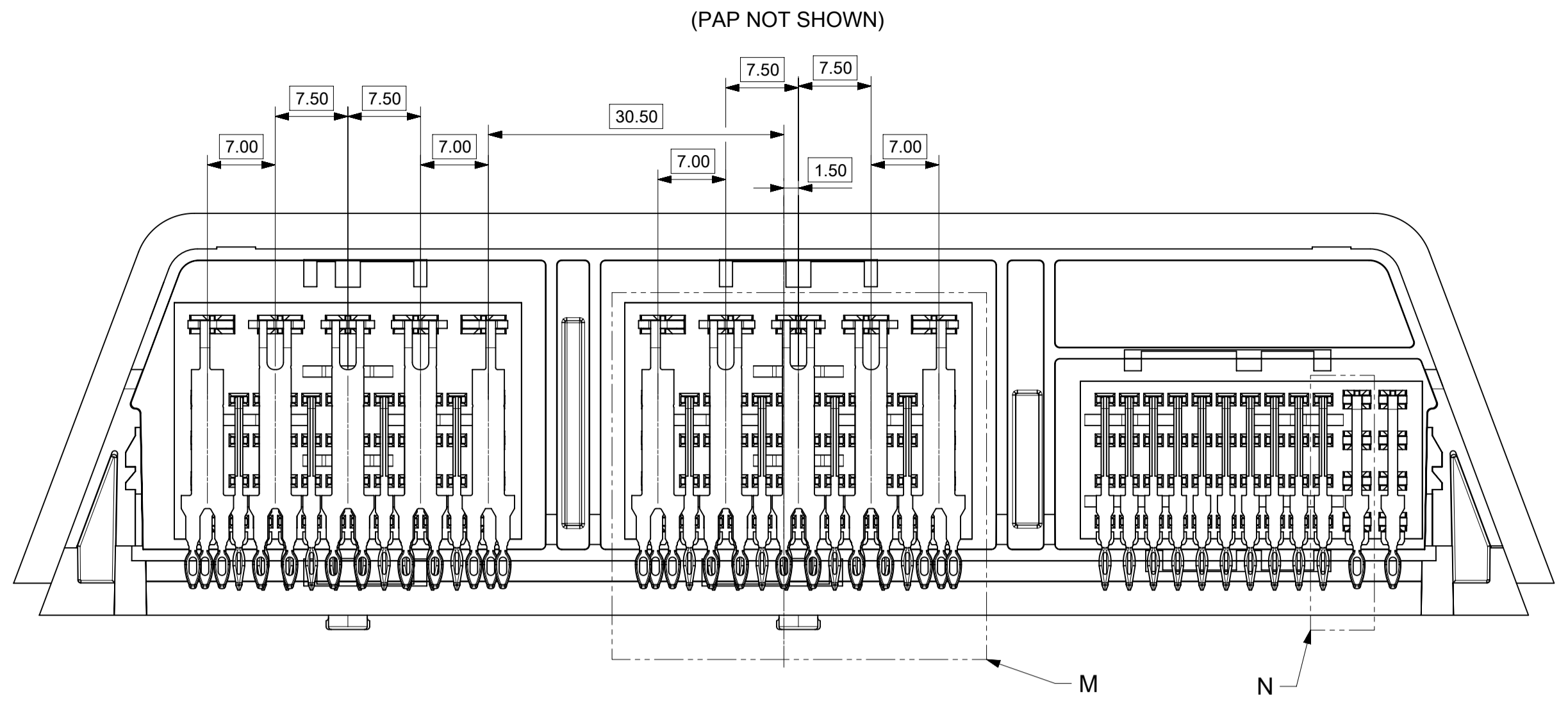
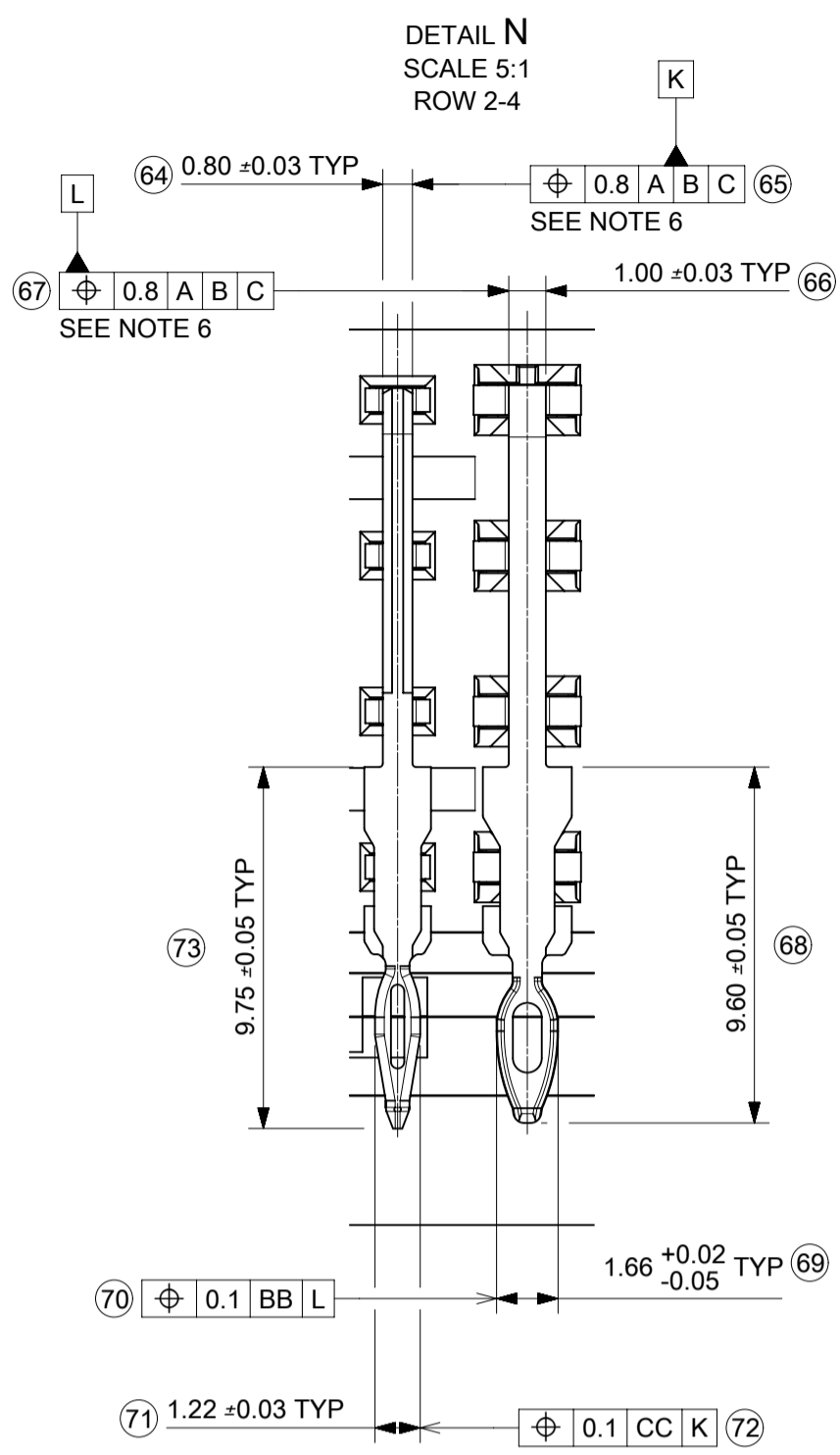
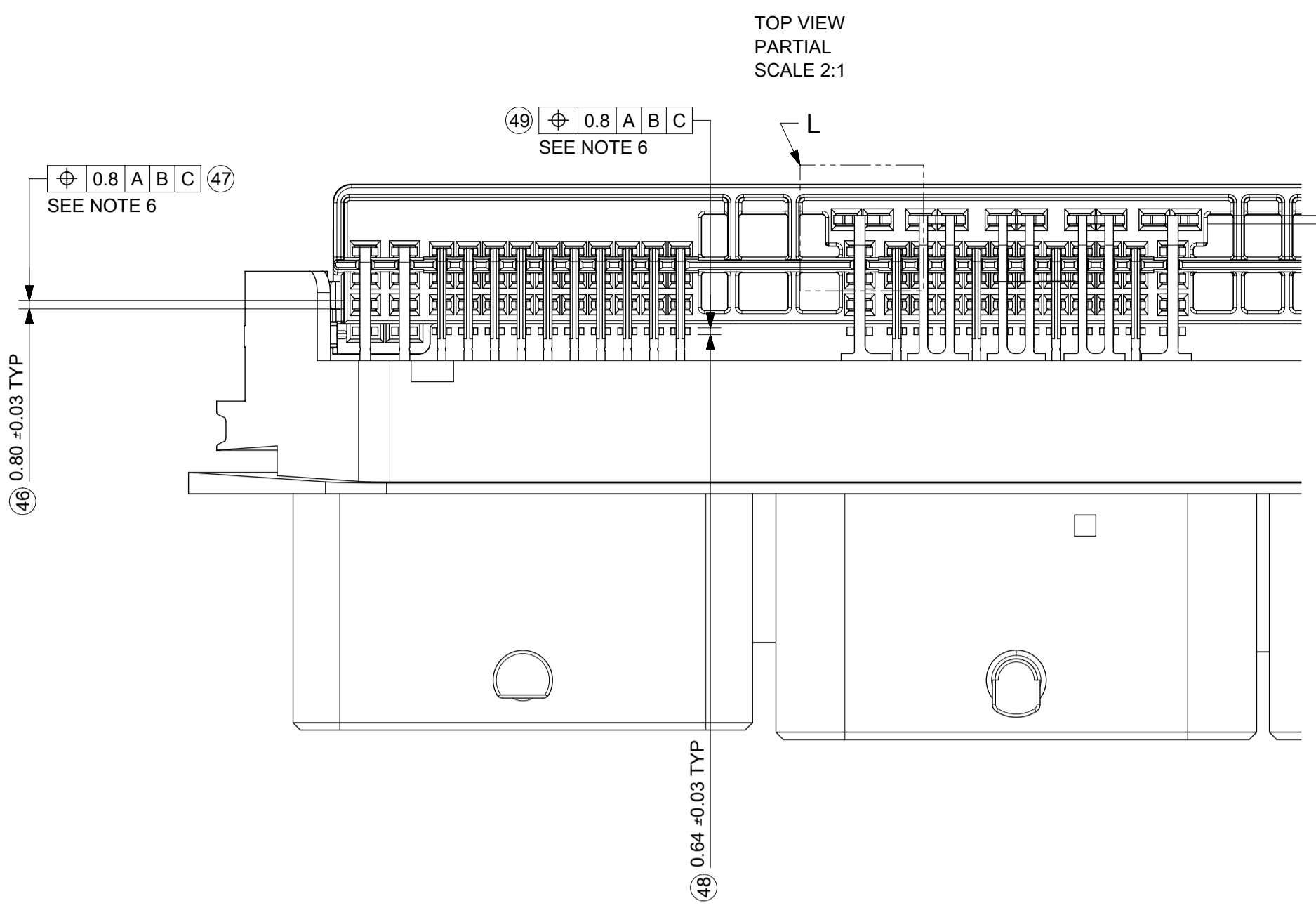
PRODUCT CUSTOMER DRAWING

EC NO: 620648
DRWN: FCULLARD 2019/07/10
CHK'D: OVERCHERE 2019/07/15
APPR: SLAFAURE 2019/07/19

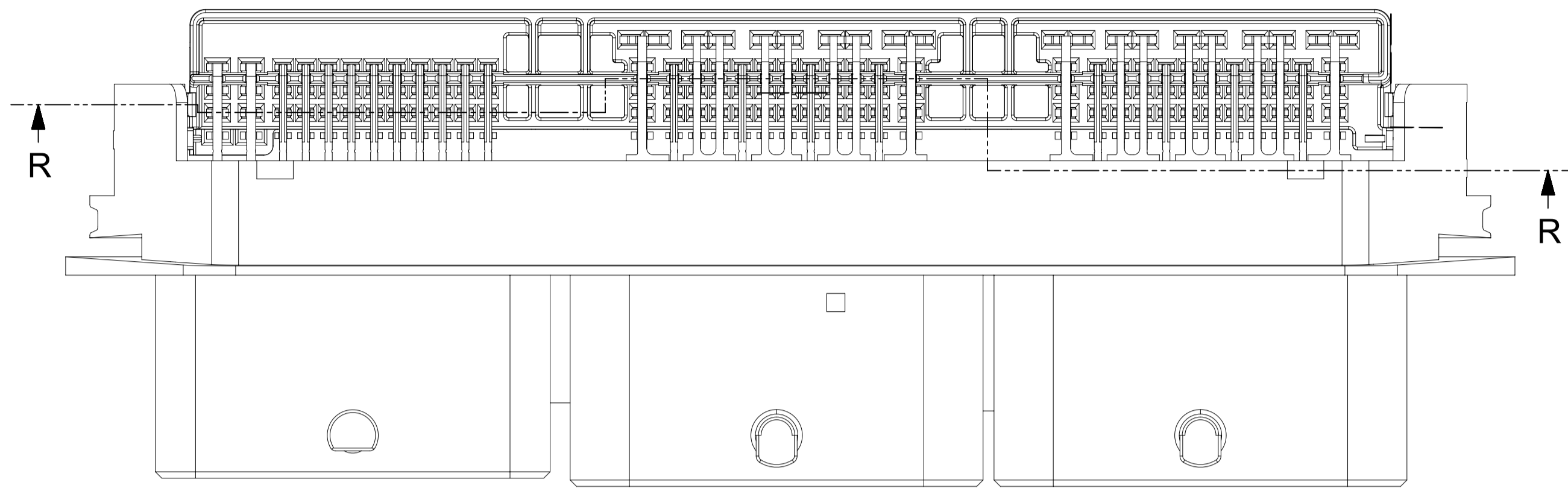
INITIAL REVISION:
DRWN: DGRAFFITHS 2009/06/12
APPR: VKOSHY 2009/06/12



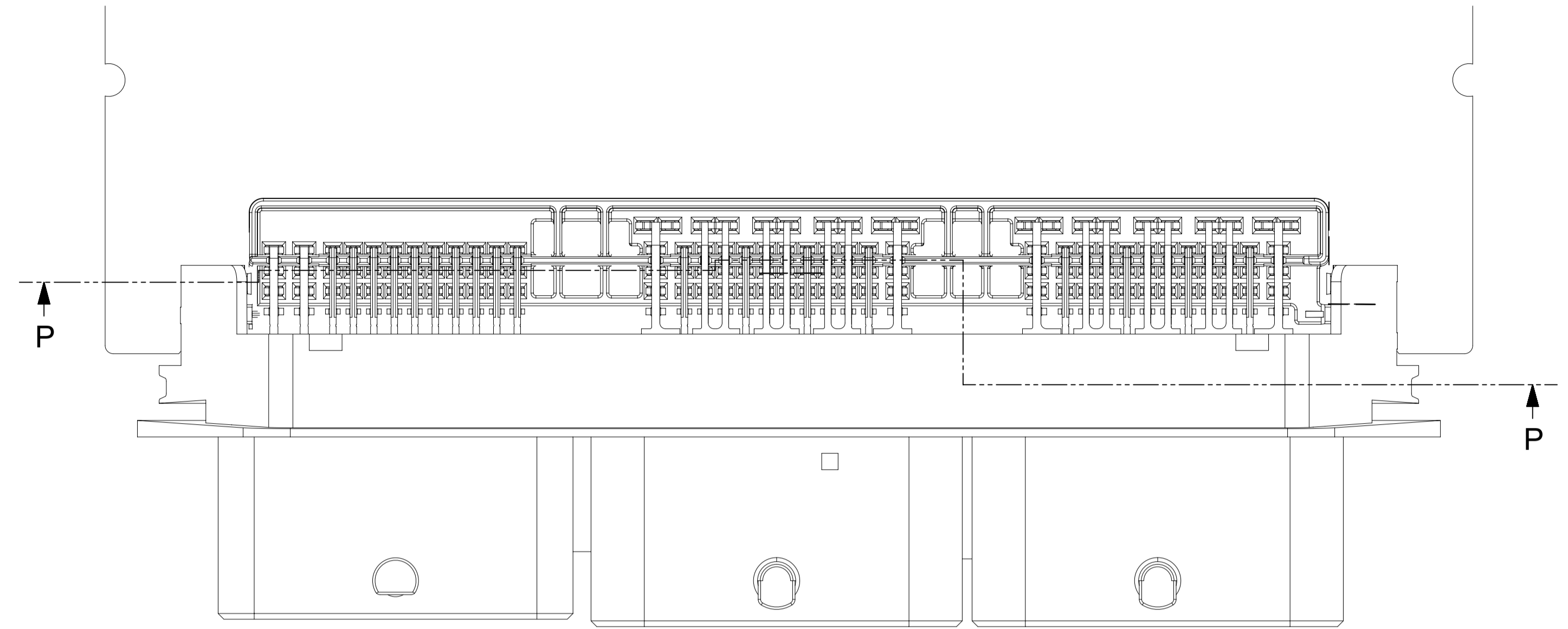
SYMBOLS = 0	THIS DRAWING CONTAINS INFORMATION THAT IS PROPRIETARY TO MOLEX ELECTRONIC TECHNOLOGIES, LLC AND SHOULD NOT BE USED WITHOUT WRITTEN PERMISSION DIMENSION UNITS: mm SCALE: 4:1 CURRENT REV DESC: NX RE-MASTERING AND ADDING PCB LAY-OUT. GENERAL TOLERANCES (UNLESS SPECIFIED) ANGULAR TOL: $\pm 1.0^\circ$ 4 PLACES: \pm 3 PLACES: \pm 2 PLACES: ± 0.13 1 PLACE: ± 0.25 0 PLACES: \pm DRAFT WHERE APPLICABLE MUST REMAIN WITHIN DIMENSIONS THIRD ANGLE PROJECTION DRAWING: A1-SIZE SERIES: 34763	EC NO: 620648 DRWN: FCULLARD 2019/07/10 CHK'D: OVERCHERE 2019/07/15 APPR: SLAFAURE 2019/07/19 INITIAL REVISION: DRWN: DGRIFITHS 2009/06/12 APPR: VKOSHY 2009/06/12	molex HEADER ASSEMBLY 154WAY CMC HEADER PRODUCT CUSTOMER DRAWING
	DOCUMENT NUMBER: SD-34763-001 DOC TYPE: PSD DOC PART: 001 REVISION: D1	MATERIAL NUMBER: SEE TABLE CUSTOMER: GENERAL MARKET SHEET NUMBER: 4 OF 6	



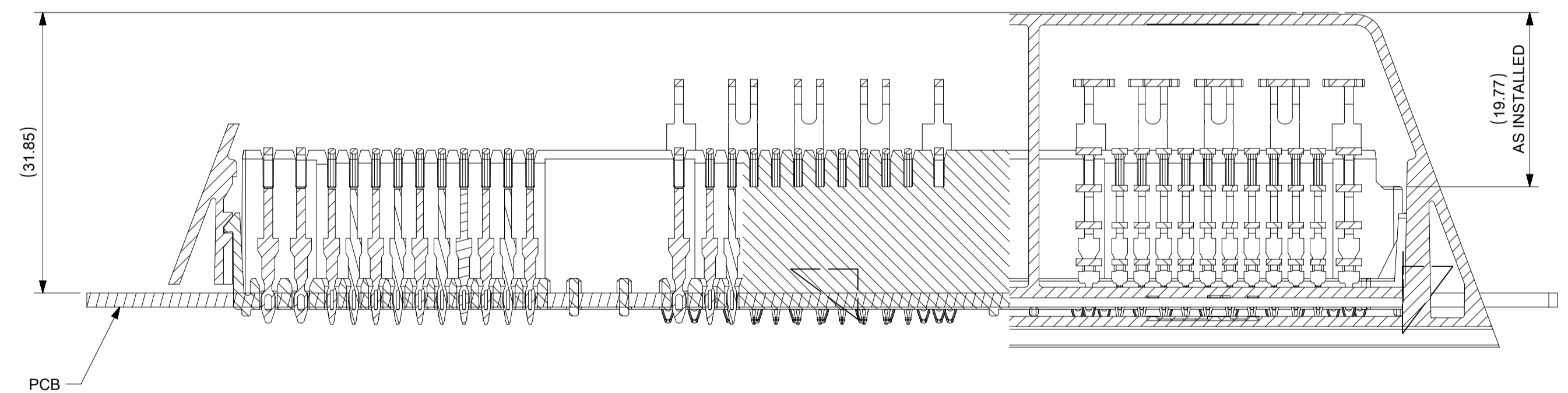
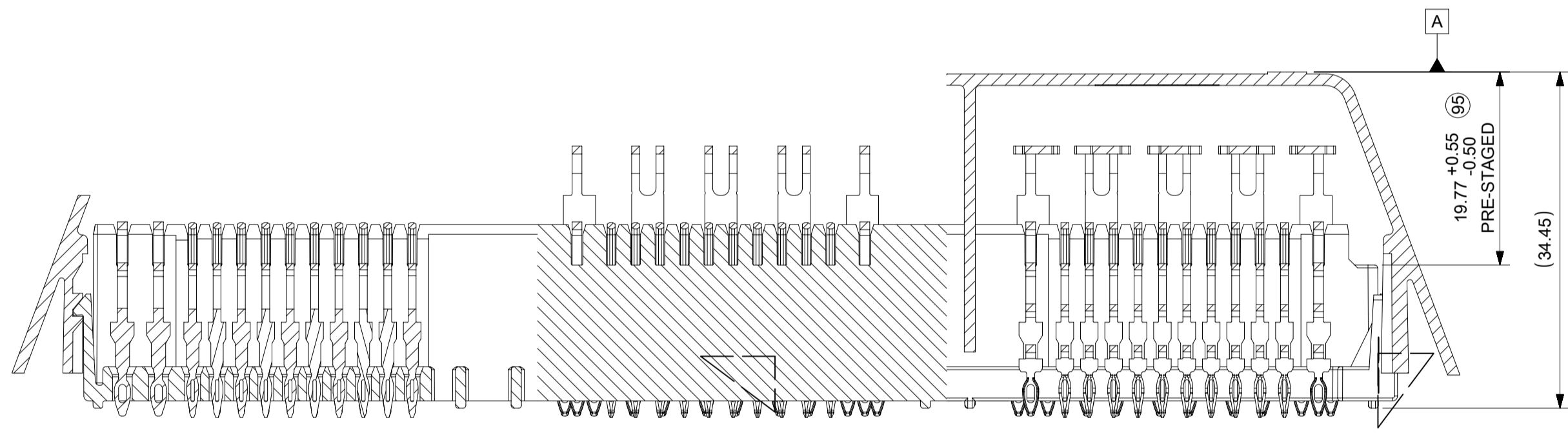
SYMBOLS	THIS DRAWING CONTAINS INFORMATION THAT IS PROPRIETARY TO MOLEX ELECTRONIC TECHNOLOGIES, LLC AND SHOULD NOT BE USED WITHOUT WRITTEN PERMISSION		CURRENT REV DESC: NX RE-MASTERING AND ADDING PCB LAY-OUT.		
	DIMENSION UNITS	SCALE	EC NO: 620648		
$\nabla = 0$	mm	2:1	DRWN: FCULLARD 2019/07/10		PRODUCT CUSTOMER DRAWING
$\nabla = 0$	GENERAL TOLERANCES (UNLESS SPECIFIED)		CHK'D: OVERCHERE 2019/07/15		
$\nabla = 0$	ANGULAR TOL $\pm 1.0^\circ$		APPR: SLAFAURE 2019/07/19		DOCUMENT NUMBER
$\nabla = 0$	4 PLACES \pm		INITIAL REVISION:		SD-34763-001
$\nabla = 0$	3 PLACES \pm		DRWN: DGRIFITHS 2009/06/12		DOC TYPE DOC PART REVISION
$\nabla = 0$	2 PLACES ± 0.13		APPR: VKOSHY 2009/06/12		PSD 001 D1
$\nabla = 0$	1 PLACE ± 0.25		DRAWING		MATERIAL NUMBER
$\nabla = 0$	0 PLACES \pm		SERIES		CUSTOMER
$\square = 0$	DRAFT WHERE APPLICABLE MUST REMAIN WITHIN DIMENSIONS		THIRD ANGLE PROJECTION		SHEET NUMBER
$\nabla = 0$			DRAWING		SEE TABLE
			A1-SIZE		GENERAL MARKET
			34763		5 OF 6



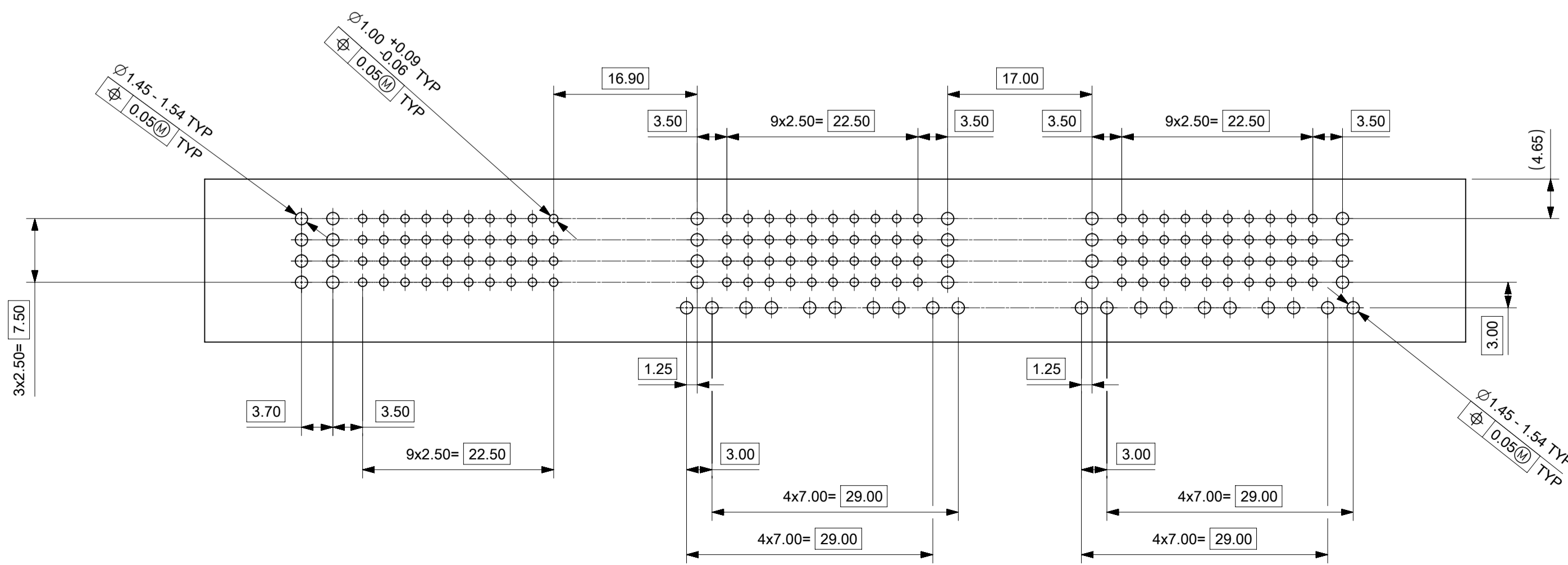
SECTION R
PAP SHOWN IN THE PRE-STAGED POSITION




SECTION P
ASSEMBLY SHOWN IN THE INSTALLED POSITION



Recommended PCB Lay-Out



SYMBOLS	THIS DRAWING CONTAINS INFORMATION THAT IS PROPRIETARY TO MOLEX ELECTRONIC TECHNOLOGIES, LLC AND SHOULD NOT BE USED WITHOUT WRITTEN PERMISSION		CURRENT REV DESC: NX RE-MASTERING AND ADDING PCB LAY-OUT.			 HEADER ASSEMBLY 154WAY CMC HEADER		
	DIMENSION UNITS	SCALE						
▽ = 0	mm	2:1	EC NO: 620648					
▽ = 0	GENERAL TOLERANCES (UNLESS SPECIFIED)		DRWN: FCULLARD 2019/07/10			DOC TYPE DOC PART REVISION		
▽ = 0	ANGULAR TOL ± 1.0°		CHK'D: OVERCHERE 2019/07/15			PSD 001 D1		
▽ = 0	4 PLACES ±		APPR: SLAFAURE 2019/07/19			PRODUCT CUSTOMER DRAWING		
▽ = 0	3 PLACES ±		INITIAL REVISION:			DOCUMENT NUMBER		
▽ = 0	2 PLACES ± 0.13		DRWN: DGRAFFITHS 2009/06/12			SD-34763-001		
▽ = 0	1 PLACE ± 0.25		APPR: VKOSHY 2009/06/12			MATERIAL NUMBER		
⊠ = 0	0 PLACES ±		DRAFT WHERE APPLICABLE MUST REMAIN WITHIN DIMENSIONS			CUSTOMER		
⊠ = 0	THIRD ANGLE PROJECTION		DRAWING			SHEET NUMBER		
⊠ = 0	A1-SIZE		SERIES			SEE TABLE		
			34763			GENERAL MARKET		
						6 OF 6		