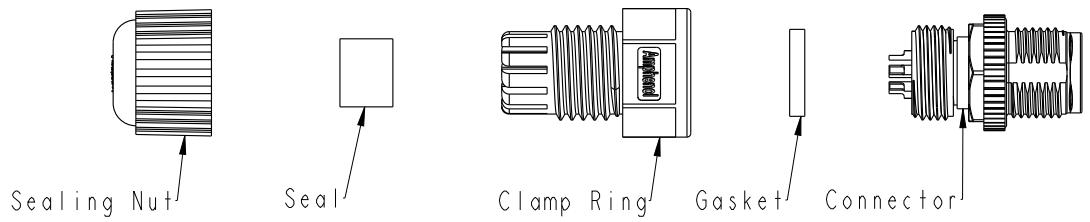
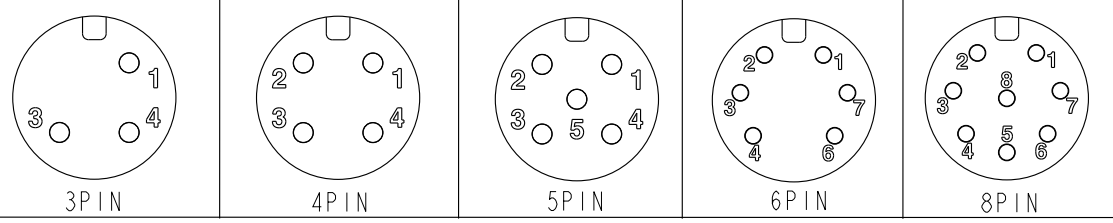
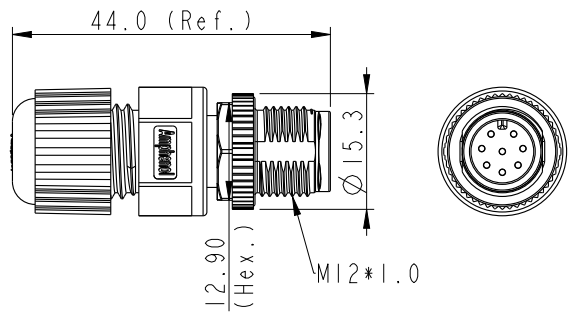


THIS DOCUMENT IS SUBJECT TO CHANGE WITHOUT NOTICE. IT IS CONFIDENTIAL AND A PROPERTY OF AMPHENOL LTW. DISCLOSURE TO THIRD PARTY HAS TO BE AUTHORIZED BY AMPHENOL LTW.

REV.	ECN NO.	DATE	SIGN	DESCRIPTION



**ALTW**  
**CONFIDENTIAL**  
 2019-08-27  
**R&D DEPT.**



Pin Assignments Front View

- Note:
- \*  $\varnothing$  Important Dimension To Check
  - \* Waterproof Rate: IP68
  - \* Housing: Nylon+GF, Black
  - \* Pin: Copper Alloy, Gold Plated
  - \* Nut: Zinc Alloy, Nickel Plated
  - \* Gasket: Silicone, Gray
  - \* Clamp Ring: Nylon, Black
  - \* Sealing Nut: Nylon, Black
  - \* Seal: Silicone, Dark Gray
  - \* Seal For Cable OD:  $\varnothing$ 4.5mm- $\varnothing$ 6.5mm

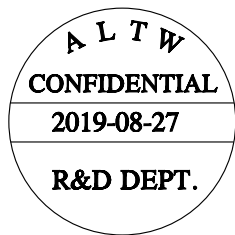
UNIT: mm		
TOLERANCE	± 0.5	

TITLE M12 A CODE Assy M Conn M PIN		
SCALE 1:1	SIZE A4	SHEET 1 OF 2
REV. A	WC-REV. .0	$\varnothing$ : Inspection item

**Amphenol LTW**  
**安費諾亮泰企業股份有限公司**

ITEM NO.	DRAWN BY JC Chen	DATE 2019/08/27
DWG NO. M12A-XXBMM-SL8001	CHECKED BY Li Feng	DATE 2019/08/27
CUSTOMER ALTW	APPROVED BY Jerry	DATE 2019/08/27

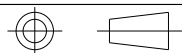
THIS DOCUMENT IS SUBJECT TO CHANGE WITHOUT NOTICE. IT IS CONFIDENTIAL AND A PROPERTY OF Amphenol LTW. DISCLOSURE TO THIRD PARTY HAS TO BE AUTHORIZED BY Amphenol LTW.



M 12A - XX B M M A - S L 8 001

- 12A: A-Code
- 03: 3Pin
- 04: 4Pin
- 05: 5Pin
- 06: 6Pin
- 08: 8Pin
- B: Without S/R(無網尾)
- M: Male Connector(公座)
- M: Male Pin(公Pin)
- 001: Without Cable
- 8: IP68(防水等級68)
- L: Straight (180°)
- S: Screw(螺紋式)
- A: Solder Type

UNIT:mm



TOLERANCE

± 0.5

TITLE M12 A CODE Assy M Conn M PIN			
SCALE 1:1	SIZE A4	SHEET 2 OF 2	
REV. A	WC-REV. .0	☉: Inspection item	

**Amphenol LTW**  
安費諾亮泰企業股份有限公司

ITEM NO	DRAWN BY JC Chen	DATE 2019/08/27
DWG NO M12A-XXBMMMA-SL8001	CHECKED BY Li Feng	DATE 2019/08/27
CUSTOMER ALTW	APPROVED BY Jerry	DATE 2019/08/27