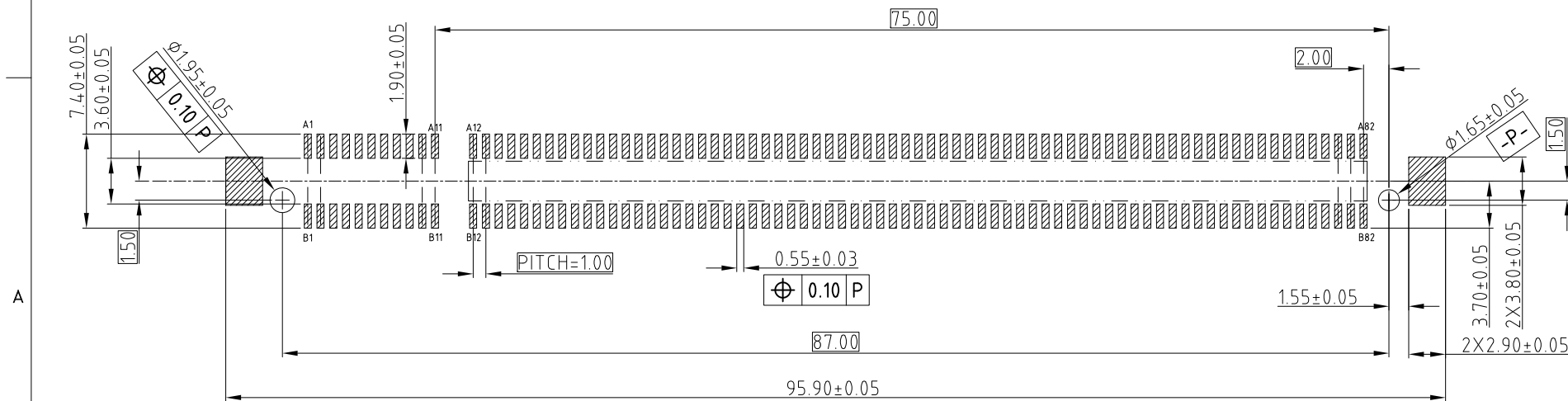
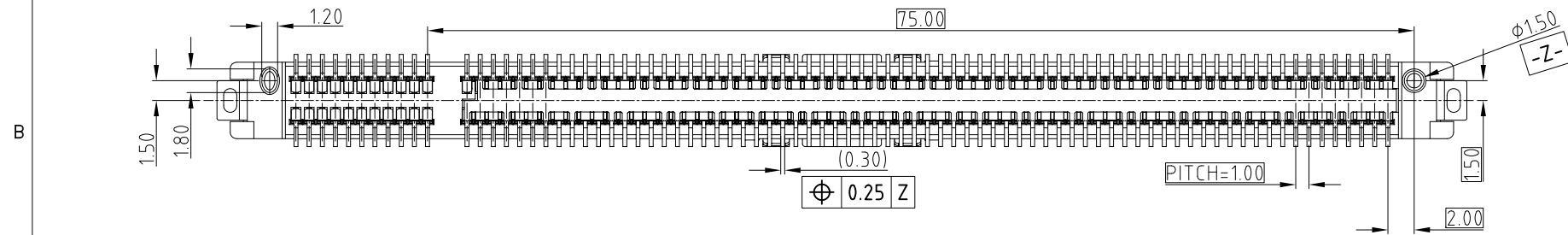
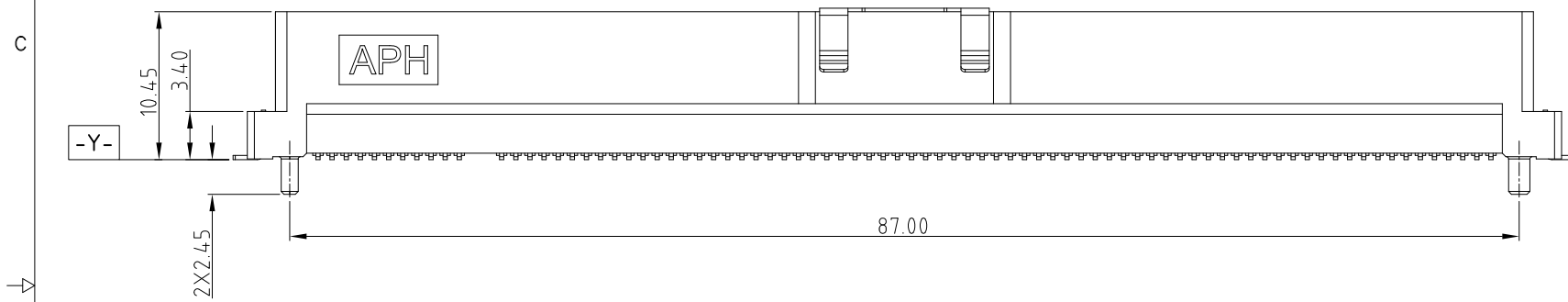
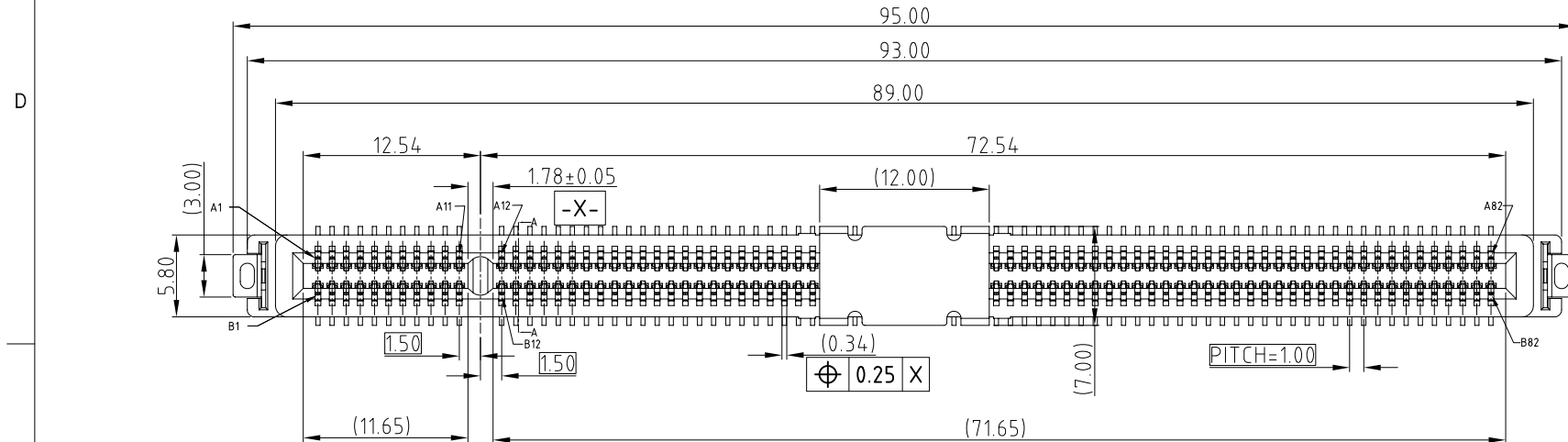


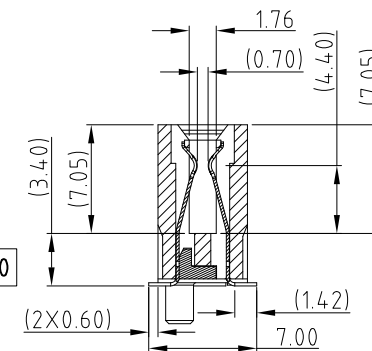
This document is the property of Amphenol Corporation and is delivered on the express condition that it is not to be disclosed, reproduced or used, in whole or in part, for manufacture or sale by anyone other than Amphenol Corporation without its prior consent, & that no right is granted to disclose or to use any information in this document.

# CUSTOMER DRAWING

REVISIONS				
SYM	ECN	DESCRIPTION	DATE	APPROVED
1	CDXXXX	updated PN	Dec.23,2019	YH
2	CDXXXX	added cap dimension	Feb.21,2020	YH
3	CDXXXX	added Packing dimension	Feb.26,2020	YH



RECOMMENDED PCB LAYOUT  
GENERAL TOLERANCE ±0.05



SECTION: A-A

### PART NUMBER SYSTEM

CEE0164X014XXX X

- PLATING SPEC
  - 1 0.76um Au
  - 2 0.38um Au
  - 3 GOLD FLASH
- Speed
  - 0 32Gbps
  - 1 16Gbps
- Solder tail
  - 1 STD tail and soft tray
  - 2 STD tail and hard tray
  - 3 Short tail and hard tray
- Packing type
  - 0 tray 1
  - 1 tray 2
  - 2 tray 3
- CAP & MYLAR
  - 0 CAP
  - 1 MYLAR
- PIN COUNT
  - 164

### NOTE:

- MATERIAL:  
HOUSING: HIGH TEMPERATURE THERMOPLASTIC BLACK UL94-V0  
CONTACT: COPPER ALLOY  
BOARDLOCK: SPCC
- PLATING:  
CONTACT: MATING AREA: SEE PLATING SEPC OVER 1.27-2.54 UM NICKEL UNDERPLATED  
SOLDER AREA: 1.27 MIN TIN OVER 1.27-2.54 UM NICKEL UNDERPLATED  
BOARDLOCK: 1.27 MIN TIN OVER 1.27-2.54UM NICKEL UNDERPLATED
- ELECTRICAL PERFORMANCE:  
RATED CURRENT FOR SIGNAL PIN: 0.7A/PIN;  
RATED CURRENT FOR Power Pin:1.1A/pin(total:8pin Include:A2/A3/A9/A10/B1/B2/B3/B8 ).
- MATERIAL SHOULD BE FULLFILLED AMPHENOL SPEC # SSN002
- ORDERING PN: REFER TO THE PN SYSTEM
- 25~32Gbps: THE ECB CONNECTS ALL GND PIN.  
16Gbps max: DO NOT HAVE TO CONNECTS ALL GND PIN
- MOISTURE SENSITIVITY LEVEL:1.



UNLESS OTHERWISE SPECIFIED TOLERANCES		APPROVAL		DATE		Amphenol		
	U.S.	METRIC	DRAWN	xg.liu	Feb.26,2020	TITLE		
.X	+/-	0.25	CHECKED			Cool Edge 32&16Gbps		
.XX	+/-	0.20	APPROVED			1.0mm pitch connector STD		
.XXX	+/-	0.15				SIZE	DRAWING NO.	REV.
FRACTIONS	+/-	5°	DRAWING FILE :			A3	C CEE0164X014XXXX	3
ANGLES	+/-		INTERNAL\DRAWING\CE\ C CEE0164X014XXXX			SCALE	NONE	SHEET 1 OF 8
FOR MATERIALS AND FINISHES SEE NOTES		REMOVE SHARP EDGES		ANGLE OF PROJECTION				
DIMENSIONS								
—U.S.—	INCHES							
(METRIC)	(mm)							