

1	2367323-1	ROT-T*715-B1 A0281-B301 without cap	2
1	2341281-1	Gehäuse kpl. / Bauform T2	1
2367254-1	PARTNUMBER	DESCRIPTION	ITEM NO
REVISION OF EACH ASSY NO. (WHEN BLANK, USE DWG. REVISION)			
PARTS LIST			

P	LTR	DESCRIPTION	DATE	DWN	APVD
1		PRILIMINARY DRAWING	20JAN2020	GK	OD

Ø50h7 +0
-0.025

Achtung:
Die angegebenen Aderpaare sind einmal auf 25mm
verseilt : blau und gelb / rot und schwarz /
rotweiss und gelbweiss

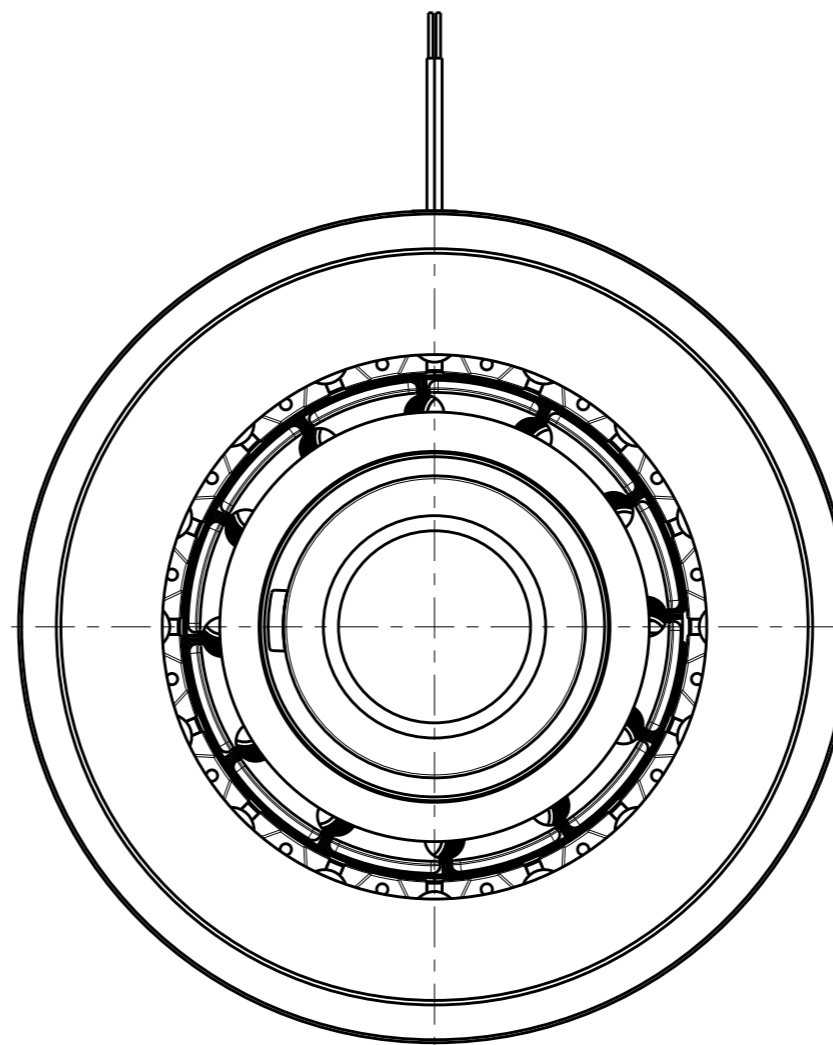
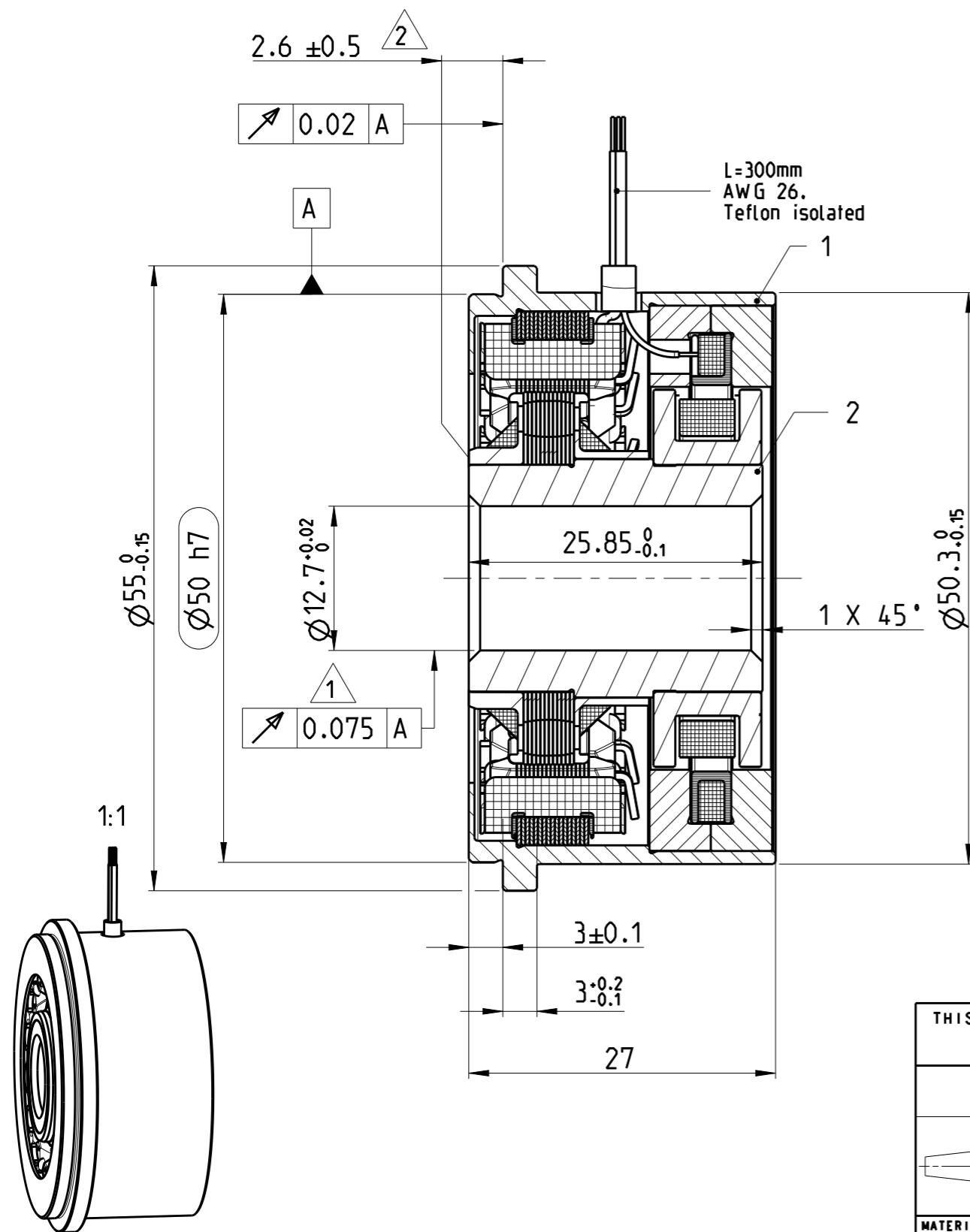
Attention:
The specified cable pairs have to twist once at 25mm :
blue and yellow / red and black /
red-white and yellow-white

Resolverstator u.-rotor nur paarig verwenden !

Use only paired stator and rotor !

- 1 Gesamtschlag im eingebauten Zustand
concentricity in installed situa
- 2 Axialversatz
axial displacement

Signal	conductor colouring
S1(COS+)	RED
S2(SIN+)	YELLOW
S3(COS-)	BLACK
S4(SIN-)	BLUE
R1(REF+)	RED-WHITE
R2/R3(REF-)	YELLOW - WHITE



PRELIMINARY

DIMENSIONS WITHOUT TOLERANCES : DIN ISO 2768-m

THIS DRAWING IS A CONTROLLED DOCUMENT.		DWN 20 JAN 2020 GOPALAKRISHNA HV		<p>PRELIMINARY</p>										
DIMENSIONS: mm		CHK 20 JAN 2020 SARFRAZ BILAL												
TOLERANCES UNLESS OTHERWISE SPECIFIED:		APVD 20 JAN 2020 ONDREJ DUSAN												
<table border="0"> <tr><td>0 PLC</td><td>±</td></tr> <tr><td>1 PLC</td><td>±</td></tr> <tr><td>2 PLC</td><td>±</td></tr> <tr><td>3 PLC</td><td>±</td></tr> <tr><td>4 PLC</td><td>±</td></tr> <tr><td>ANGLES</td><td>±1°</td></tr> </table>		0 PLC			±	1 PLC	±	2 PLC	±	3 PLC	±	4 PLC	±	ANGLES
0 PLC	±													
1 PLC	±													
2 PLC	±													
3 PLC	±													
4 PLC	±													
ANGLES	±1°													
MATERIAL	FINISH	PRODUCT SPEC	SIZE	CAGE CODE	DRAWING NO	RESTRICTED TO								
-	-	-	A3	00779	C-2367254									
CUSTOMER DRAWING			SCALE	SHEET	OF	REV								
			2:1	1	1	1								