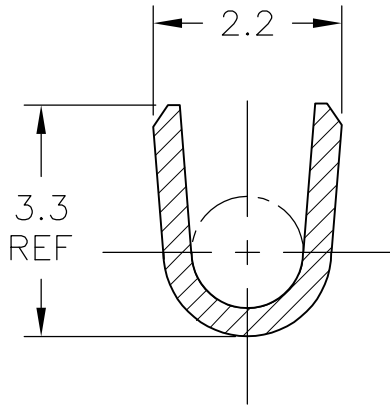
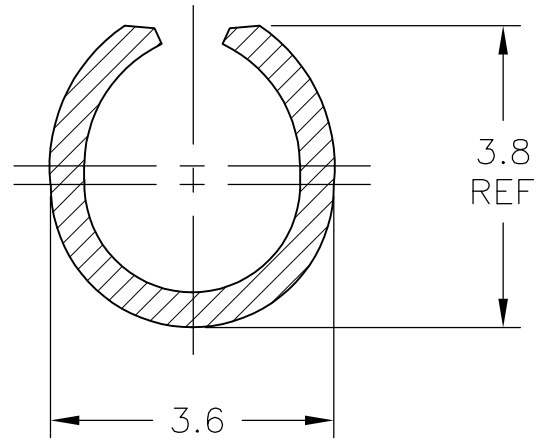


REVISIONS

P	LTR	DESCRIPTION	DATE	DWN	APVD
	A	NEW DRAWING	21NOV2016	RS	TD



WIRE BARREL



INSULATION BARREL

PRETINNED	BRASS	160869-7	928934-7
PRETINNED	PHOSPH. BRONZE	160869-6	928934-6
PLAIN	PHOSPH. BRONZE	160869-5	928934-5
TIN PLATED	PHOSPH. BRONZE	160869-4	928934-4
PLAIN	PHOSPH. BRONZE	160869-3	928934-3
TIN PLATED	BRASS	160869-2	928934-2
PLAIN	BRASS	160869-1	928934-1
FINISH	MATERIAL	STRIP NO.	PART NO.

RELEASED FOR PUBLICATION

ALL RIGHTS RESERVED.

THIS DRAWING IS UNPUBLISHED.

COPYRIGHT - By -

DIMENSIONS: mm	DWN RAVI S	21NOV2016	MATERIAL	SEE TABLE	FINISH	SEE TABLE
	CHK LI DAISY	21NOV2016	TE Connectivity			
TOLERANCES UNLESS OTHERWISE SPECIFIED:	APVD DING TIM	21NOV2016				
0 PLC ± -	WIRE RANGE		SIZE	CAGE CODE	DRAWING NO	RESTRICTED TO
1 PLC ± 0.4	0.5-1.0 mm ²		A4	00779	C-928934	-
2 PLC ± -	INSULATION RANGE		CUSTOMER DRAWING			
3 PLC ± -	ø2.0-2.7 mm		SCALE	1:1	SHEET	1 OF 1
4 PLC ± -	WEIGHT				REV	A
ANGLES ± -						

