

THIS DRAWING IS UNPUBLISHED.

RELEASED FOR PUBLICATION

20

© COPYRIGHT 20

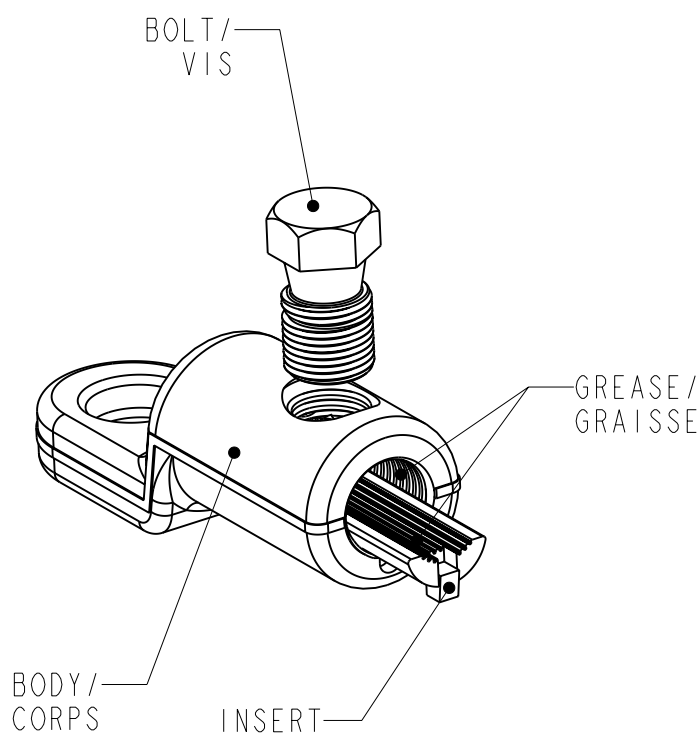
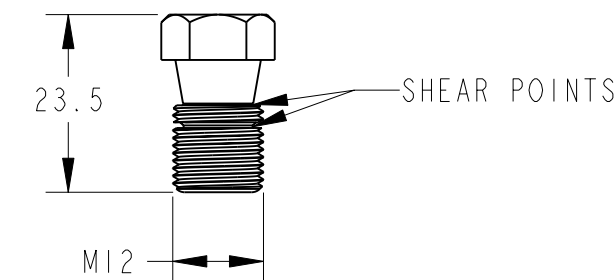
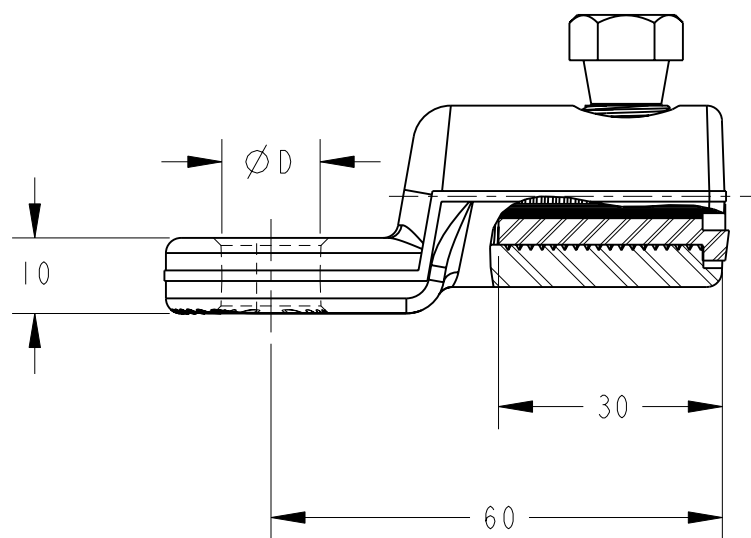
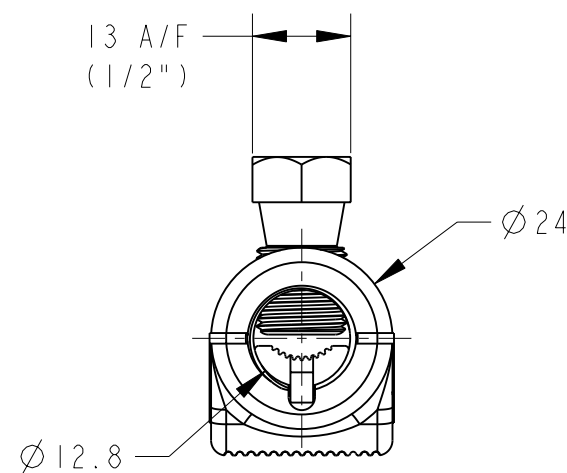
ALL RIGHTS RESERVED.

LOC  
FH DIST  
2

REVISIONS


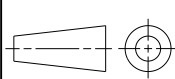
P	LTR	DESCRIPTION	DATE	DWN	APVD
	A	PN UPDATED	08DEC2003	JB	AD
	B	UPDATED	27APR2004	PB	AD
	C	MODIFICATION OF RANGE SIZE	24MAY2006	BP	AD
	D	UPDATE CABLE RANGE TAKING, ADD BLMT Ø17	16NOV2011	BM	NA

BLMT-25/95-17	3-1201353-7	D10789-000	17
BLMT-25/95-13	7-1201352-2	A23668-000	13
<b>DESCRIPTION</b>	<b>PART NUMBER</b>	<b>RPN</b>	<b>ØD</b>



	AL				CU		
	RM ROUND STRANDED	RE ROUND SOLID	SM SECTOR STRANDED	SE SECTOR SOLID	RM ROUND STRANDED	RE ROUND SOLID	SM SECTOR STRANDED
CONDUCTOR CROSS-SECTION QUERSCHNITTSBEREICH mm <sup>2</sup>	25-95	16-95	25-70 (95 with rounding)	50-95	10-95	10-50	25-70 (95 with rounding)
CONDUCTOR DIAMETER LEITERDURCHMESSER mm	Ø5.6-Ø12.5	Ø4.1-Ø11	-	-	Ø3.6-Ø12.5	Ø3.6-Ø8	-

TOLERANCES UNLESS OTHERWISE SPECIFIED TOLERANCES NON SPECIFIEES: -

THIS DRAWING IS A CONTROLLED DOCUMENT.		DWN J. BERLAND 09 JUL 2003	 TE Connectivity		
DIMENSIONS: mm		CHK M. DOLLING			
		APVD N. ALMEIDA	PRODUCT SPEC -		RESTRICTED TO -
MATERIAL AL ALLOY		FINISH TINNED	APPLICATION SPEC IEC-61238	WEIGHT 61g	SIZE A3
CUSTOMER DRAWING			CAGE CODE -	DRAWING NO C-1667059	SCALE 1:1
			SHEET 1	OF 1	REV D