

THIS DRAWING IS UNPUBLISHED.  
DIFFUSION RESTREINTE

RELEASED FOR PUBLICATION  
LIBRE A LA DIFFUSION

20

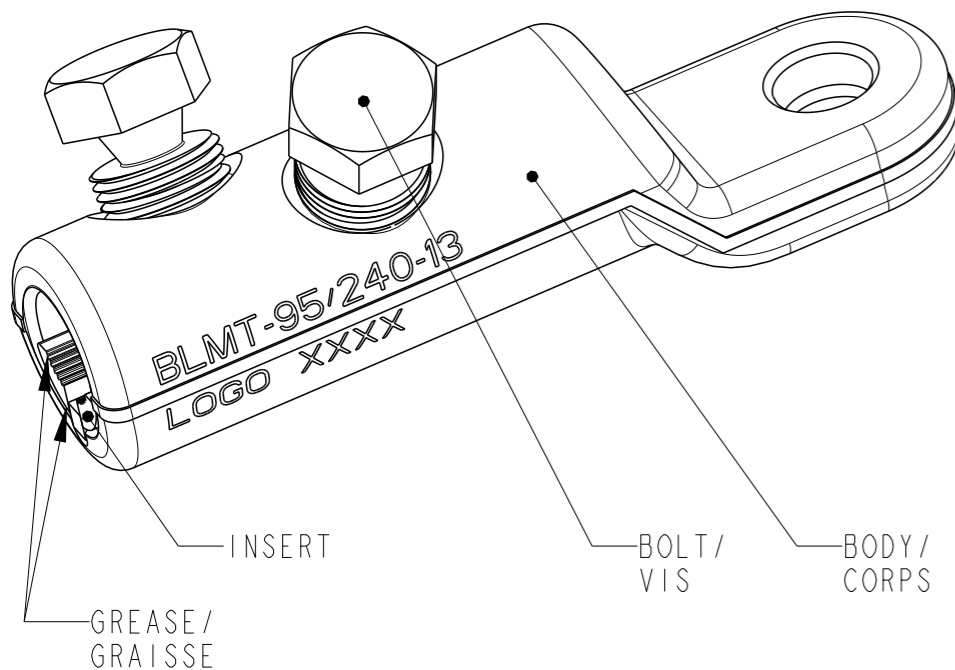
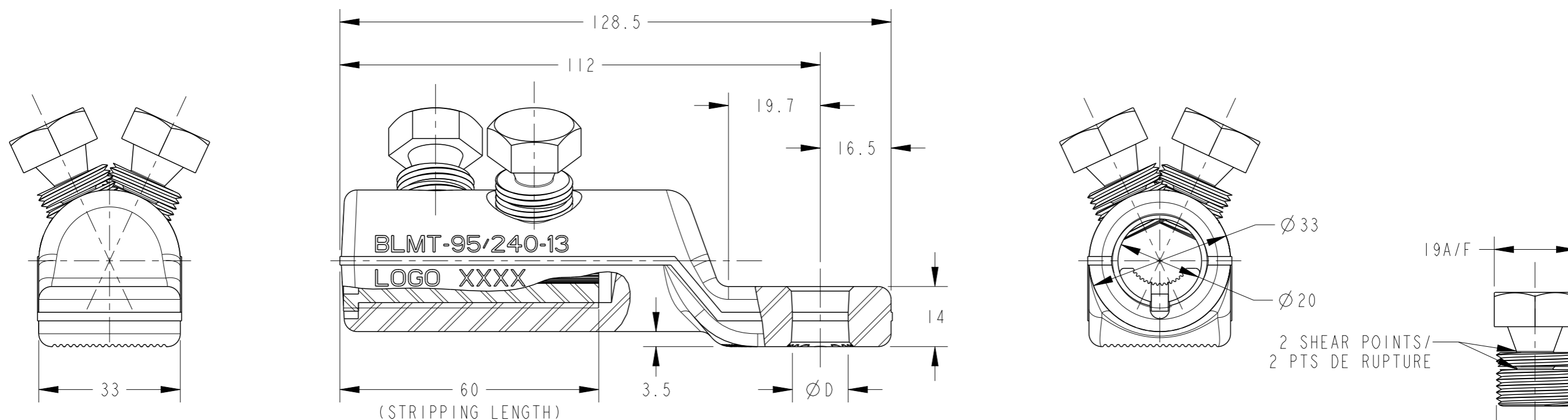
© COPYRIGHT 20 BY -

ALL RIGHTS RESERVED.  
TOUS DROITS RESERVES

REVISIONS

P	LTR REV	DESCRIPTION MODIFICATIONS	DATE	DWN DESS.	APVD APP.
	D	ECR-13-018746	02DEC2013	BP	NA
	E	ECR-16-002876 (UPDATE BODY CHAMFERS)	29FEB2016	BM	AG

BLMT-95/240-21	21	1756148-3
BLMT-95/240-17	17	E01991-000
BLMT-95/240-13	13	E44865-000
DESCRIPTION	ØD	TCPN



	AL				CU		
	ROUND STRANDED /Rond câblé /RM	ROUND SOLID /Rond solide /RE	SECTOR STRANDED /Sectoral câblé /SM	SECTOR SOLID /Sectoral câblé /SE	ROUND STRANDED /Rond câblé /RM	SECTOR STRANDED /Sectoral câblé /SM	ROUND FLEXIBLE /Circ. souple
CONDUCTOR CROSS-SECTION /Section conducteur /Querschnittsbereich mm <sup>2</sup>	70-240	95-300	95-150 (185-240 with rounding)	95-150 (185 with 90°)	70-240	95-150 (185-240 with rounding)	95 150 (class 5)
CONDUCTOR DIAMETER /Diamètre conducteur /Leiterdurchmesser mm	Ø9.3-Ø19.2	Ø10.5-Ø19	-	-	Ø9.3-Ø19.2	-	Ø13-Ø14.3 (95 <sup>2</sup> ) Ø16.5-Ø19 (150 <sup>2</sup> )

TOLERANCES UNLESS OTHERWISE SPECIFIED  
TOLERANCES NON SPECIFIEES: -

THIS DRAWING IS A CONTROLLED DOCUMENT.  
CE PLAN EST UN DOCUMENT CONTROLE PAR TYCO ELECTRONICS CORPORATION  
IL EST SUSCEPTIBLE D'ETRE REVISE. CONTACTER LE SERVICE  
TECHNIQUE POUR OBTENIR LA DERNIERE REVISION.

DIMENSIONS: mm

TOLERANCES UNLESS OTHERWISE SPECIFIED:  
TOLERANCES NON SPECIFIEES (SUIV NB DE DECIMALES):  
0 PLC/DEC: ±0  
1 PLC/DEC: ±0  
2 PLC/DEC: ±0  
3 PLC/DEC: ±0  
4 PLC/DEC: ±0  
ANGLES ±-

MATERIAL MATIERE: AL ALLOY

FINISH FINITION: TINNED

DWN/DESSINE: 12MAR2004  
N. ALMEIDA

CHK/VERIFIE: D. BARTA

APVD/APPROUVE: N. ALMEIDA

PRODUCT SPEC SPEC. PRODUIT: -

APPLICATION SPEC SPEC. APPLICATION: -

WEIGHT MASSE APPROX.: 220g

SIZE FORMAT: A3

CAGE CODE: -

DRAWING NO No PLAN: C=1756148

RESTRICTED TO RESERVE A: -

CUSTOMER DRAWING /PLAN CLIENT

UNIQUEMENT POUR REFERENCE

SCALE ECHELLE: 1:1

SHEET FEUILLE: 1 OF DE: 1

REV: E

**STE** TE Connectivity

NAME TITRE: BLMT-95/240-13  
BLMT-95/240-17  
BLMT-95/240-21