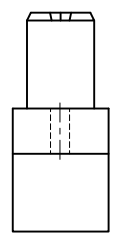
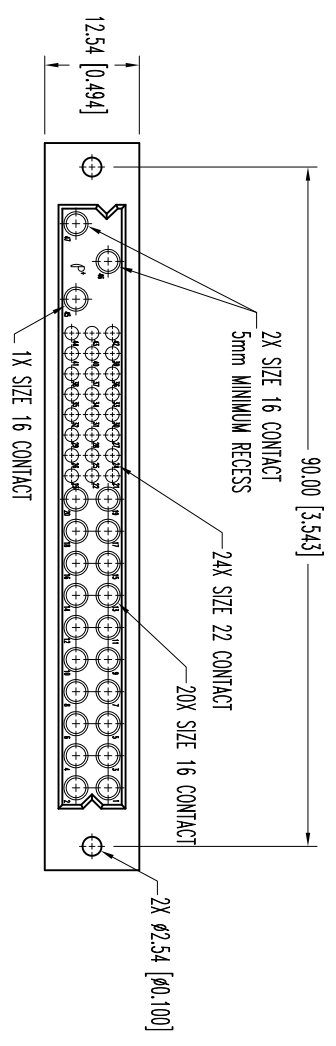
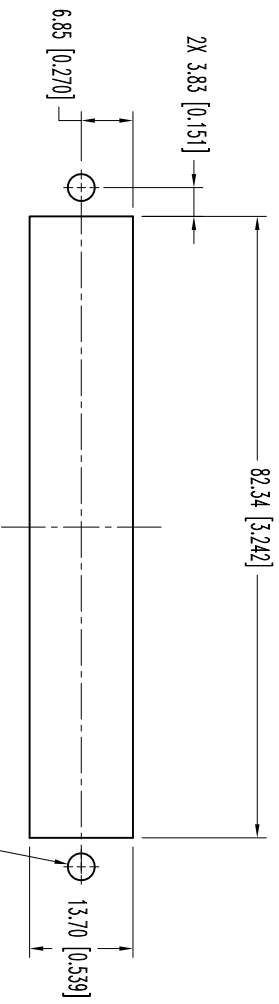
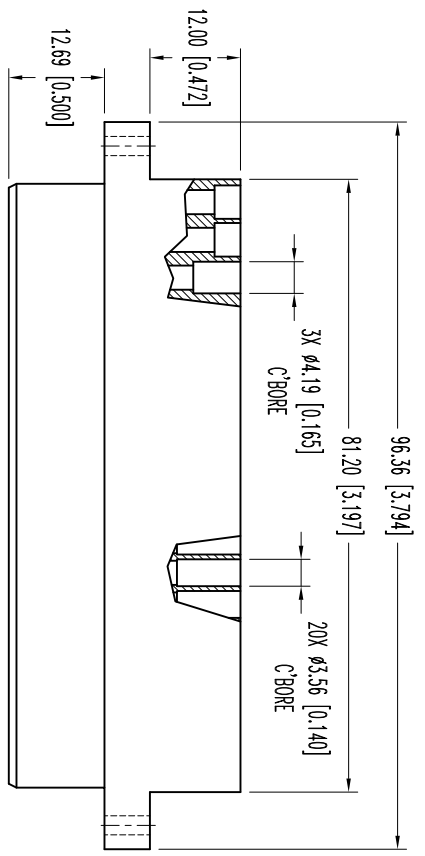


THIS DRAWING CONTAINS INFORMATION PROPRIETARY TO POSITRONIC INDUSTRIES INC. THE DATA ON THIS DRAWING TO BE RELIABLE SINCE THE USER EMPLOYER'S SUCH INFORMATION AT HIS OWN DISCRETION. RESULTS OBTAINED OR DAMAGES INCURRED FROM USE OF SUCH INFORMATION IN WHOLE OR IN PART.

SK8297

DATE	REV	REVISION RECORD	APP	DR	CK
1-29	NC	ECO 27394	RCW	YK	COLM
7-08	A	ECO 43756	TK	BS	COLM
1-8					



NOTES:
1. MATERIALS AND FINISHES:
INSULATOR: GLASS FILLED POLYESTER, UL 94V-0
CONTACTS: PRECISION MACHINED COPPER ALLOY, GOLD FLASH OVER NICKEL PLATE.
2. DETAILED PRODUCT, MECHANICAL, AND ELECTRICAL INFORMATION IS AVAILABLE IN THE LATEST CONTACT POWER CONNECTOR PRODUCT PUBLICATION. VISIT CONNECTPOSITRONIC.COM/PRODUCTS/33/CONTACTPOWERCONNECTORS OR CONNECTPOSITRONIC.COM.
3. CONTACTS CALLED OUT FOR REFERENCE ONLY, CONTACTS SOLD SEPARATELY.
4. CONNECTORS ARE ROHS COMPLIANT PER CURRENT DIRECTIVE.
5. DIMENSIONS ARE IN INCHES [MILLIMETERS].

PART NUMBER	WIRE SIZE
FC112N2S/AA-1565.0	4.0/[12]
FC114N2/AA-1565.0	2.5-1.5/[14-16]
FC116N2/AA-1565.0	1.5-1.0/[16-18]

POSITRONIC INDUSTRIES INC.
www.connectpositronic.com FSC# 28198

DATE	1-29-07	DRAWING NUMBER	SK8297	REV.	A
TITLE	PCH47F8000/AA				
PCH SERIES	SCALE	DRAWN BY	APPROVED BY		
	N.T.S.	YK	R WILLIAMS		