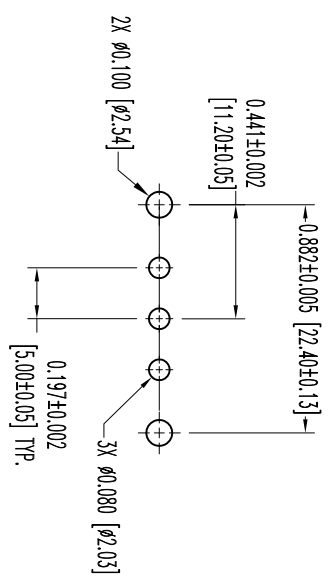
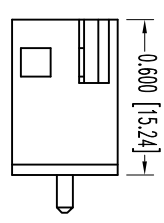
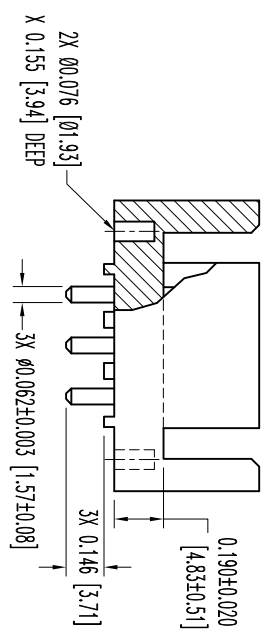
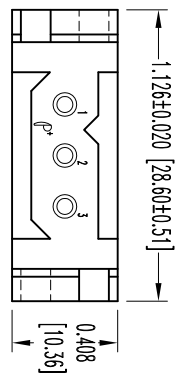


THIS DRAWING CONTAINS INFORMATION PROPRIETARY TO POSITRONIC INDUSTRIES INC. THE DATA ON THIS DRAWING TO BE RELEASED. SINCE THE TECHNICAL INFORMATION IS GIVEN FREE OF CHARGE, THE USER EMPLOYS SUCH INFORMATION AT HIS OWN DISCRETION. POSITRONIC INDUSTRIES INC. ASSUMES NO LIABILITY FOR RESULTS OBTAINED OR DAMAGES INCURRED FROM USE OF SUCH INFORMATION IN WHOLE OR IN PART.



CONTACT HOLE PATTERN

- NOTES:
1. MATERIALS AND FINISHES:
INSULATOR: GLASS FILLED POLYESTER, UL 94V-0, COLOR BLUE.
CONTACTS: PRECISION MACHINED COPPER ALLOY, GOLD FLASH OVER NICKEL.
 2. DETAILED PRODUCT, MECHANICAL, AND ELECTRICAL INFORMATION IS AVAILABLE IN THE LATEST POWER CONNECTION SYSTEMS PRODUCT PUBLICATION. VISIT CONNECTPOSTRONIC.COM/PRODUCTS/20/POWERCONNECTIONSYSTEMS OR CONNECTPOSTRONIC.COM.
 3. CONNECTORS ARE ROHS COMPLIANT PER ROHS DIRECTIVE 2002/95/EC OF 27 JAN 2003.
 4. DIMENSIONS ARE IN INCHES [MILLIMETERS].

DATE	REV	REVISION RECORD	APP	DR	CK
7-11-06	NC	ECO 24328	RW	YK	TK
5-9-12	A	ECO 35322	COLL	MP	COLL

SK6312



POSITRONIC INDUSTRIES INC.
www.connectpositronic.com

FSC# 28198

DECIMAL TOL. ± 0.015 [0.38]	SCALE N.T.S.	DRAWN BY YK
ANGULAR TOL. ± 5°	TITLE PCS SERIES	APPROVED BY R. WILLIAMS
DATE 7-11-05	DRAWING NUMBER PLA03M300A1/AA	REV. A