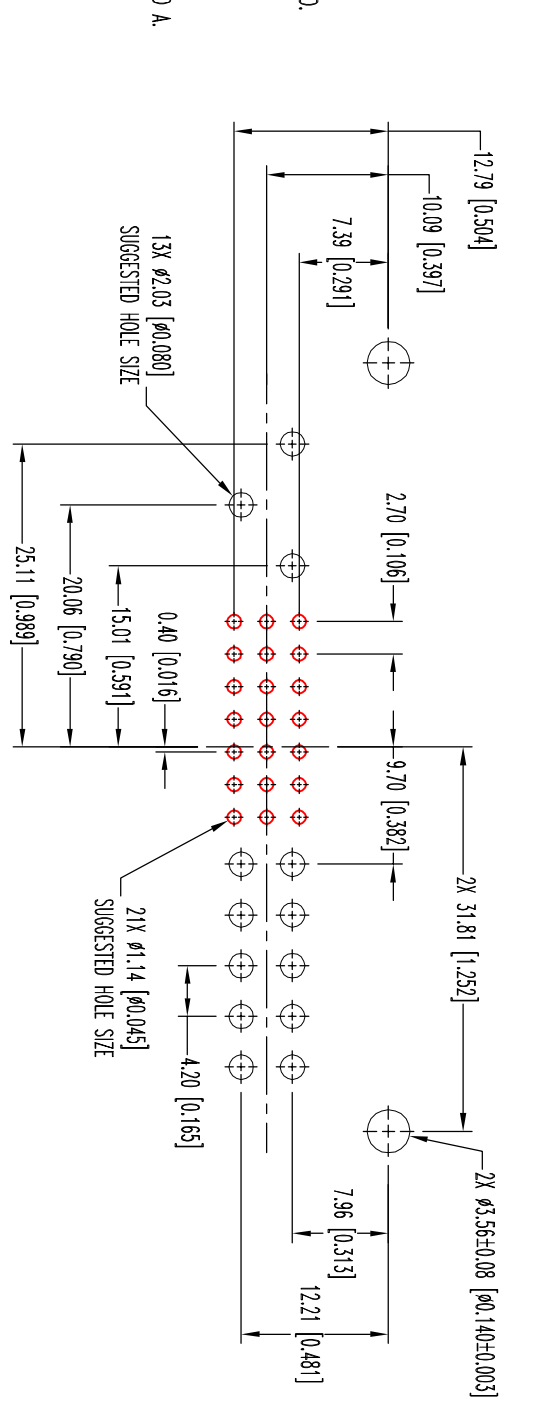
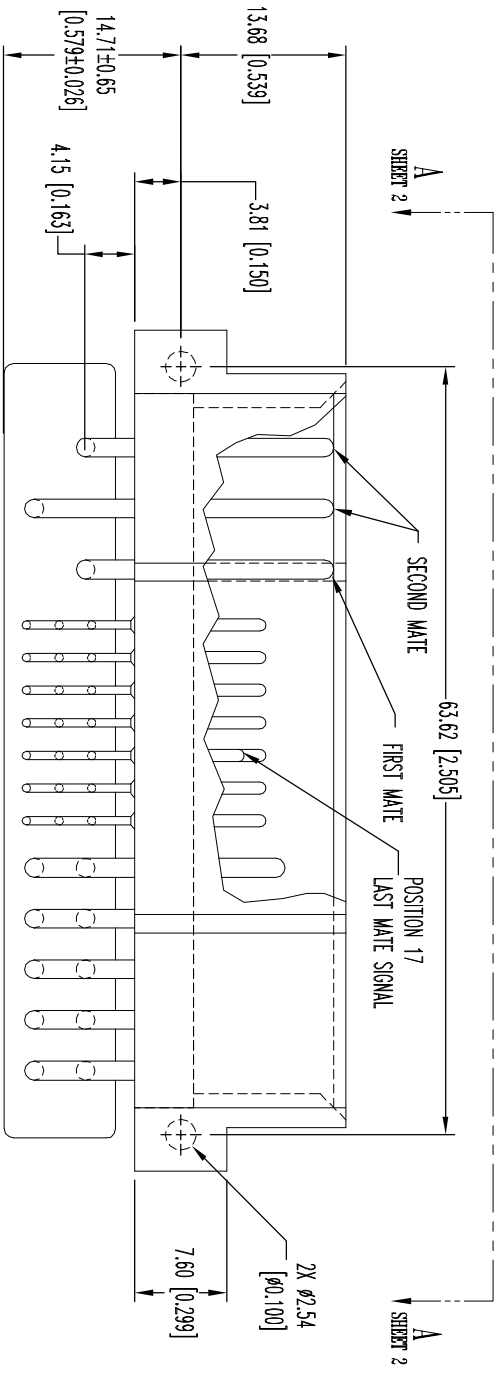


THIS DRAWING CONTAINS INFORMATION PROPRIETARY TO POSITRONIC AND ITS SUBSIDIARIES. POSITRONIC BELIEVES THE DATA ON THIS DRAWING TO BE RELIABLE. SINCE THE INFORMATION IS GIVEN FREE OF CHARGE, THE USER ASSUMES ALL LIABILITY FOR ANY DAMAGE, LOSS OF RESULTS OBTAINED OR DAMAGES INCURRED FROM USE OF SUCH INFORMATION IN WHOLE OR IN PART.

DATE	REV	REVISION RECORD	APP	DR	CK
8-2-05	NC	ECO 24444	RW	YK	TK
5-9-16	A	ECO 50743	COLF	CM	COLF

SK6409 SHEET 1 OF 2



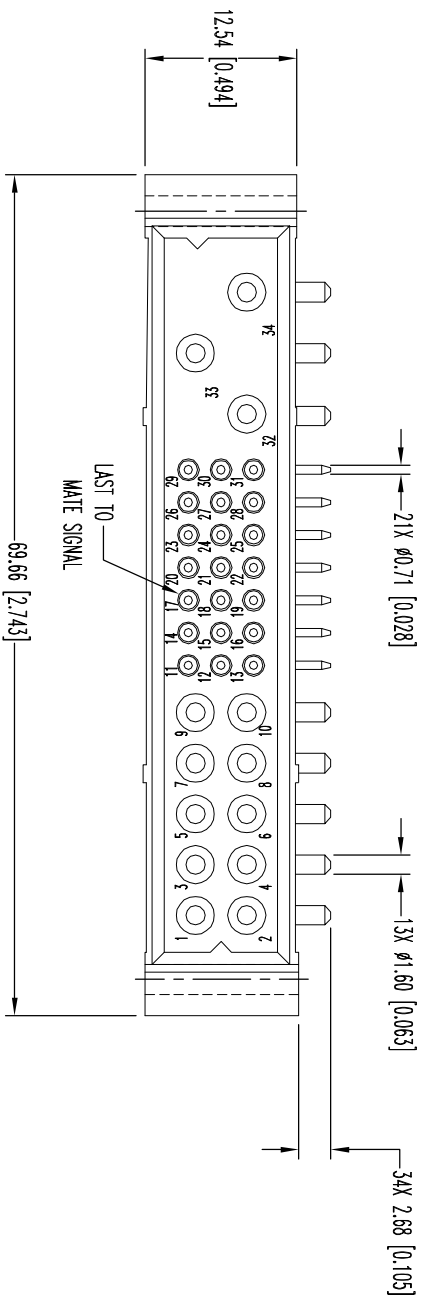
- NOTES:
- MATERIALS AND FINISHES:**
 INSULATOR: GLASS FILLED POLYESTER, UL 94V-0. COLOR: BLUE.
 ALIGNMENT BAR: GLASS FILLED POLYESTER, UL 94V-0. COLOR: BLUE.
 SIZE 16 CONTACTS: HIGH CONDUCTIVITY PRECISION MACHINED COPPER ALLOY WITH GOLD FLASH OVER NICKEL.
 SIZE 22 CONTACTS: HIGH CONDUCTIVITY PRECISION MACHINED COPPER ALLOY WITH GOLD FLASH OVER NICKEL.
 - ELECTRICAL CHARACTERISTICS:**
 CONTACT CURRENT RATING:
 SIZE 16 CONTACTS: POSITIONS 32,33,34 45 AMPERES CONTINUOUS ALL CONTACTS UNDER LOAD.
 POSITIONS 1-10 32 AMPERES CONTINUOUS ALL CONTACTS UNDER LOAD.
 SIZE 22 CONTACTS: 3 AMPERES NOMINAL.
 INITIAL CONTACT RESISTANCE:
 SIZE 16 CONTACTS: 0.0007 OHMS. MAX. PER IEC 512-2, TEST 2b.
 SIZE 22 CONTACTS: 0.004 OHMS MAX. PER IEC 512-2, TEST 2b.
 INSULATION RESISTANCE: 5 G OHMS PER IEC 512-2, TEST 3a, METHOD A.
 VOLTAGE PROOF:
 CONTACTS 32, 33 AND 34 3,000 V r.m.s.
 CONTACTS 1 THROUGH 10: 1,500 V r.m.s.
 CONTACTS 11 THROUGH 31: 1,000 V r.m.s.
 CREEPAGE AND CLEARANCE DISTANCE, MINIMUM:
 CONTACT 34 TO CONTACT 32: 3.2 [0.126]
 CONTACT 33 TO CONTACT 32: 3.2 [0.126]
 CONTACT 34 TO SIGNAL CONTACTS: 6.4 [0.252]
 CONTACT 33 TO SIGNAL CONTACTS: 6.4 [0.252]
 CONTACT 34 TO CONTACT 33: 2.5 [0.098]
 CONTACT 32 TO SIGNAL CONTACTS: 2.0 [0.079]
 WORKING TEMPERATURE: -55°C TO +125°C
 - CONNECTORS ARE ROHS COMPLIANT PER ROHS DIRECTIVE 2002/95/EC OF 27 JAN 2003.**
 - DIMENSIONS ARE IN MILLIMETERS [INCHES].**

POSITRONIC INDUSTRIES INC.
 www.connectpositronic.com FSC# 28198

PC1 SERIES SCALE N.T.S.
 13 SIZE 16, 21 SIZE 22 DRAWN BY YK
 PCIM34W13M400A1/AA APPROVED BY RW
 DATE 8-2-05 DRAWING NUMBER SK6409 SHEET 1 OF 2 REV. A

DECIMAL TOL. ±0.38 [0.015]
 ANGULAR TOL. ±5°

POSTORNIC INDUSTRIES BELIEVES THE DATA ON THIS DRAWING TO BE RELIABLE SINCE THE TECHNICAL INFORMATION IS GIVEN FREE OF CHARGE. THE USER EMPLOYS SUCH INFORMATION AT HIS OWN DISCRETION AND POSTORNIC INDUSTRIES ASSUMES NO LIABILITY OR RESPONSIBILITY FOR RESULTS OBTAINED OR DAMAGES INCURRED FROM USE OF SUCH INFORMATION IN WHOLE OR IN PART.



VIEW A-A