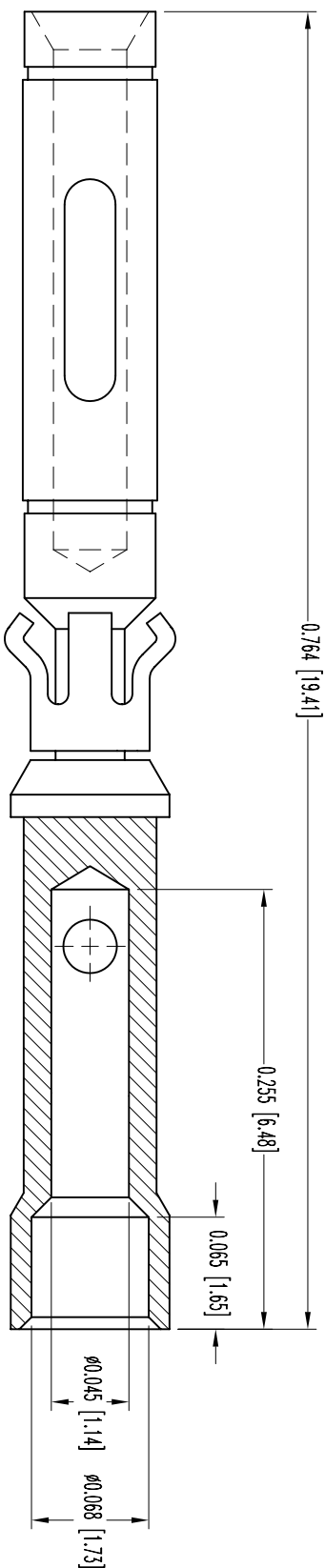


POSTRONIC INDUSTRIES BELIEVES THE DATA ON THIS DRAWING TO BE RELIABLE SINCE THE TECHNICAL INFORMATION IS GIVEN FREE OF CHARGE, THE USER EMPLOYS SUCH INFORMATION AT HIS OWN DISCRETION. POSTRONIC INDUSTRIES ASSUMES NO LIABILITY OR RESPONSIBILITY FOR RESULTS OBTAINED OR DAMAGES INCURRED FROM USE OF SUCH INFORMATION IN WHOLE OR IN PART.



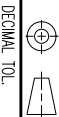
- NOTES:
1. MATERIAL AND FINISHES:
CONTACT: COPPER ALLOY, GOLD FLASH OVER NICKEL PLATE.
RETENTION RING: BERYLLIUM COPPER, GOLD FLASH OVER NICKEL PLATE.
SPRING CLIP: BERYLLIUM COPPER, GOLD FLASH OVER NICKEL PLATE.
 2. CONTACTS ARE ROHS COMPLIANT PER ROHS DIRECTIVE 2002/95/EC OF 27 JAN 2003.
 3. DIMENSIONS ARE IN INCHES [MILLIMETERS].

| DATE | REV | REVISION RECORD | APP | DR | CK |
|---------|-----|-----------------|-----|----|----|
| 6-21-06 | NC | ECO 26217 | | YK | |
| | | | | | |
| | | | | | |
| | | | | | |

SK7637



POSITRONIC INDUSTRIES INC.
www.connectpositronic.com



DECIMAL TOL.
± 0.015 [0.38]

ANGULAR TOL.
± 5°

INFINITY SERIES

SCALE: N.T.S.

YK

TITLE: FC720N2/AA

DATE: 6-21-06
DRAWING NUMBER: SK7637
REV: NC