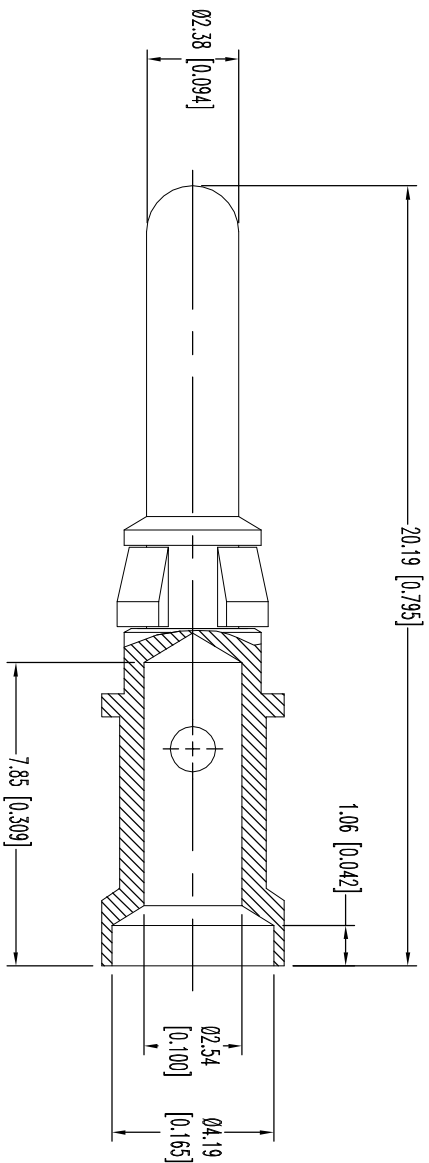



THIS DRAWING CONTAINS INFORMATION PROPRIETARY TO POSITRONIC AND ITS SUBSIDIARIES. POSITRONIC BELIEVES THE DATA ON THIS DRAWING TO BE RELIABLE. SINCE THE TECHNICAL INFORMATION IS GIVEN FREE OF CHARGE, THE USER ASSUMES ALL LIABILITY FOR ANY DAMAGE TO PERSON AND RISK. POSITRONIC ASSUMES NO RESPONSIBILITY FOR RESULTS OBTAINED OR DAMAGES INCURRED FROM USE OF SUCH INFORMATION IN WHOLE OR IN PART.



- NOTES:
1. MATERIALS AND FINISHES:
CONTACT: PRECISION MACHINED COPPER ALLOY WITH GOLD FLASH OVER NICKEL.
RETENTION CLIP: BERYLLIUM COPPER WITH GOLD FLASH OVER NICKEL.
 2. DETAILED PRODUCT, ELECTRICAL, AND MECHANICAL INFORMATION IS AVAILABLE IN THE LATEST POWER CONNECTION SYSTEMS PRODUCT PUBLICATION AT CONNECTPOSITRONIC.COM.
 3. CONTACTS ARE COMPLIANT TO THE CURRENT ROHS DIRECTIVE.
 4. DIMENSIONS ARE IN MILLIMETERS [INCHES].

SK6539

DATE	REV	REVISION RECORD	APP	DR	CK
9-7-05	NC	ECO 24604	TK	YK	TK
7-31-15	A	ECO 47687	COLM	BE	COLM

		POSITRONIC INDUSTRIES INC. www.connectpositronic.com		FSCM 28198	
DECIMAL TOL. $\pm 0.38 [0.015]$		PCS SERIES N.T.S.		SCALE N.T.S.	
ANGULAR TOL. $\pm 5^\circ$		TITLE MC612N/AA		DRAWN BY YK	
DATE 9-7-05		DRAWING NUMBER SK6539		APPROVED BY J. KEPLER	
				REV. A	