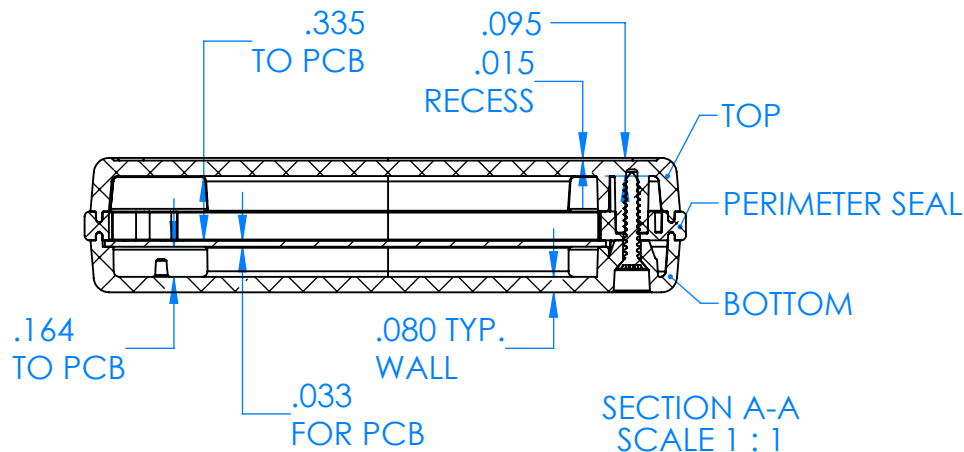
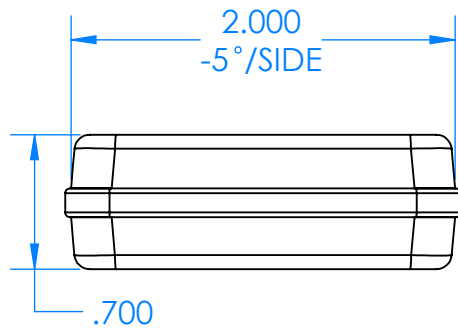
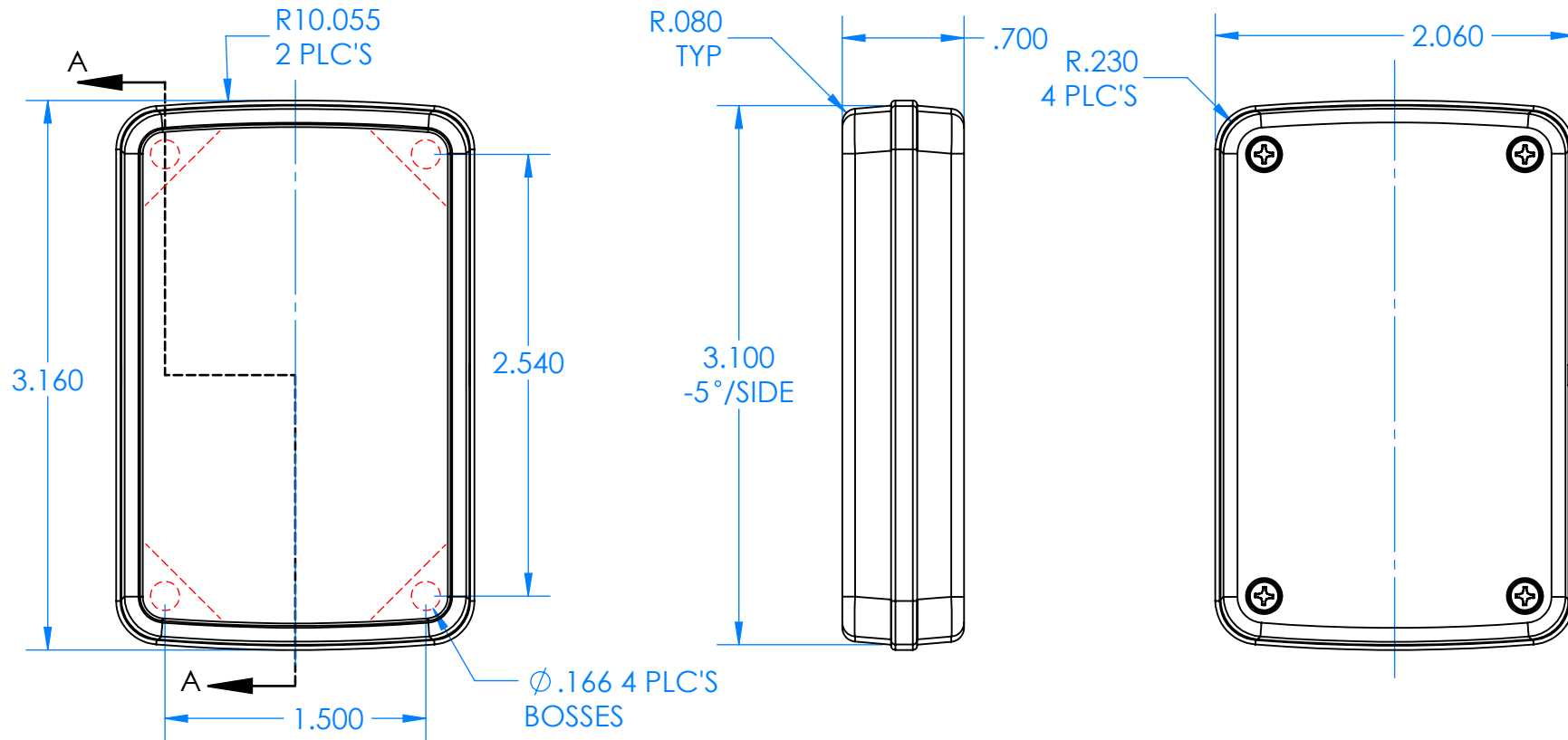


# SERPAC CX64DYYAZZ

Electronic Enclosures



Color options:  
YY (Enclosure Color)  
BK=Black

ZZ (Strap Color)  
BK=Black  
GM=GunMetal  
YL=Yellow  
OR=Orange  
NO=NeonOrange  
NG=NeonGreen  
BL=Blue

PN	Description
5533D,YY	(1) BW 6B Top,YY
5534D,YY	(1) BW 6B Bottom,YY
5540A,ZZ	(1) CX6A Series perimeter seal, ZZ
6002	(4) #2 X 3/8" PH HD screw

-Material: UV stabilized Polycarbonate  
Flammability UL 94 V-0  
-Watertight enclosure meets or  
exceed Nema 4 and or IP67.

ALL DIMENSIONS ARE ± .010" 1/24/2020  
2009 Wright Ave. La Verne, CA 91750  
Ph. (626) 331-0517 Fx. (626) 331-8584 serpac.com

# SERPAC CX64DYYAZZ

Electronic Enclosures

