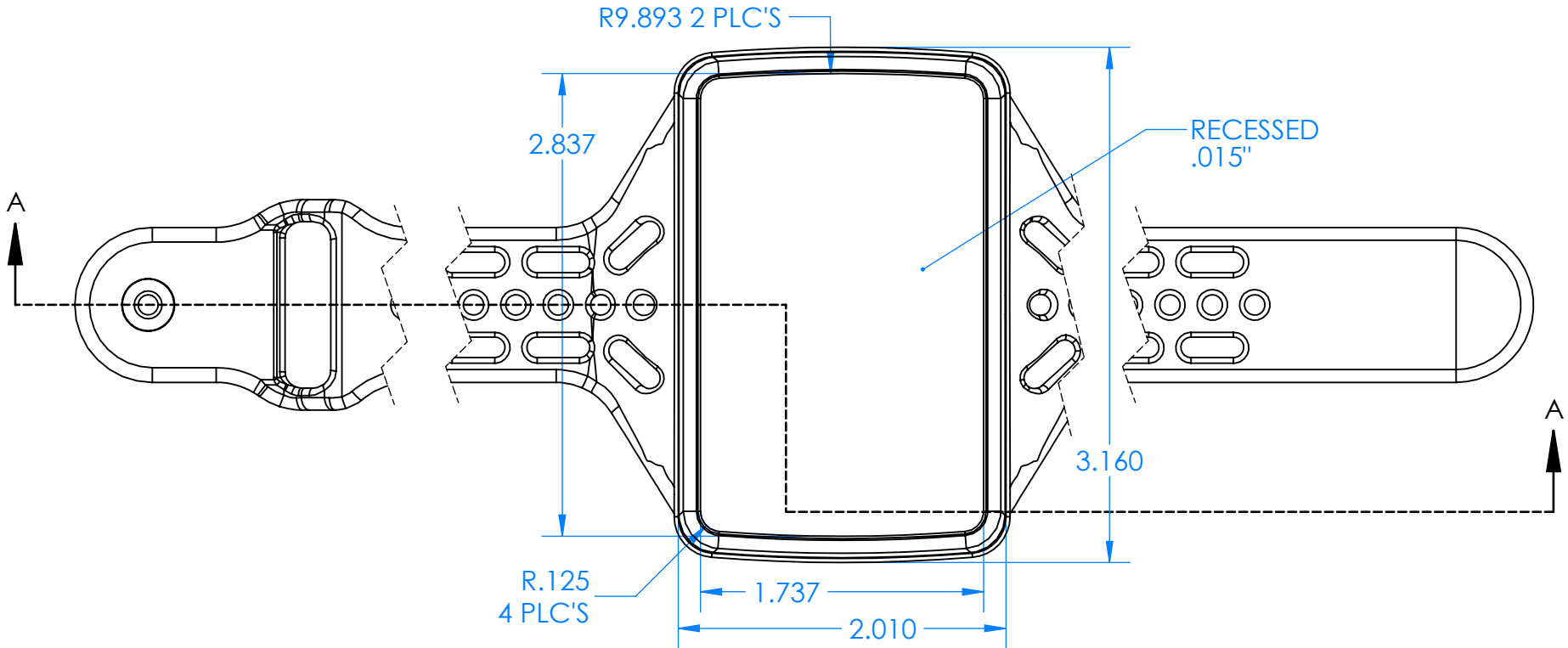


SERPAC BW65DYCSZZ

Electronic Enclosures



PN	Description
5535D,YY	(1) BW 6C Top,YY
5534D,YY	(1) BW 6B Bottom,YY
5538C,ZZ	(1) BW 6C Small Comolded Strap,ZZ
6002	(4) #2 X 3/8" PH HD screw

-Material: UV stabilized Polycarbonate
Flammability UL 94 V-0
-Watertight enclosure meets or
exceed Nema 4 and or IP67.

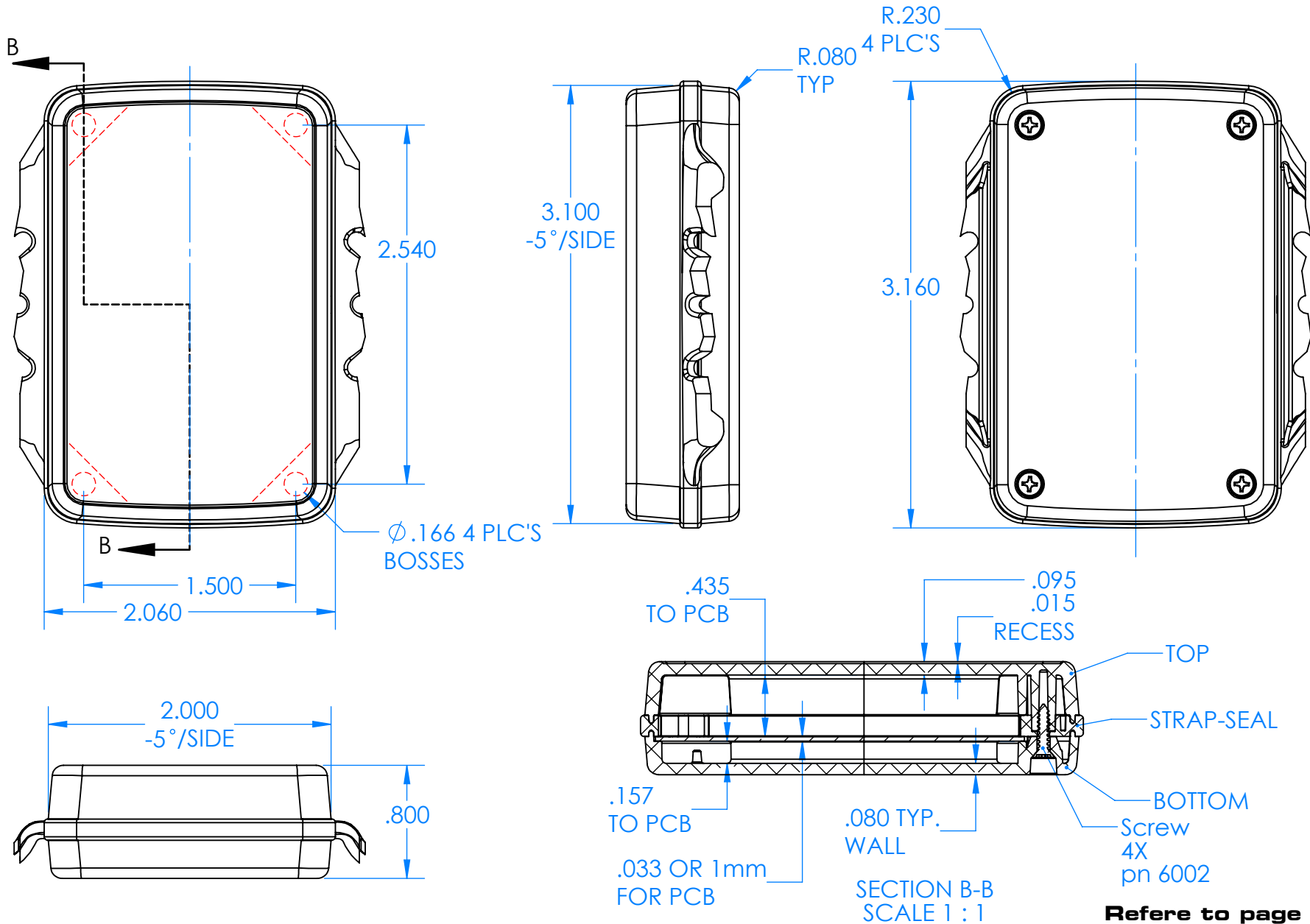
Color options:
YY (Enclosure Color)
BK=Black

ZZ (Strap Color)
BK=Black
GM=GunMetal
YL=Yellow
OR=Orange
NO=NeonOrange
NG=NeonGreen
BL=Blue

ALL DIMENSIONS ARE ± .010" 1/22/2020
2009 Wright Ave. La Verne, CA 91750
Ph. (626) 331-0517 Fx. (626) 331-8584 serpac.com

SERPAC BW65DYYCSZZ

Electronic Enclosures

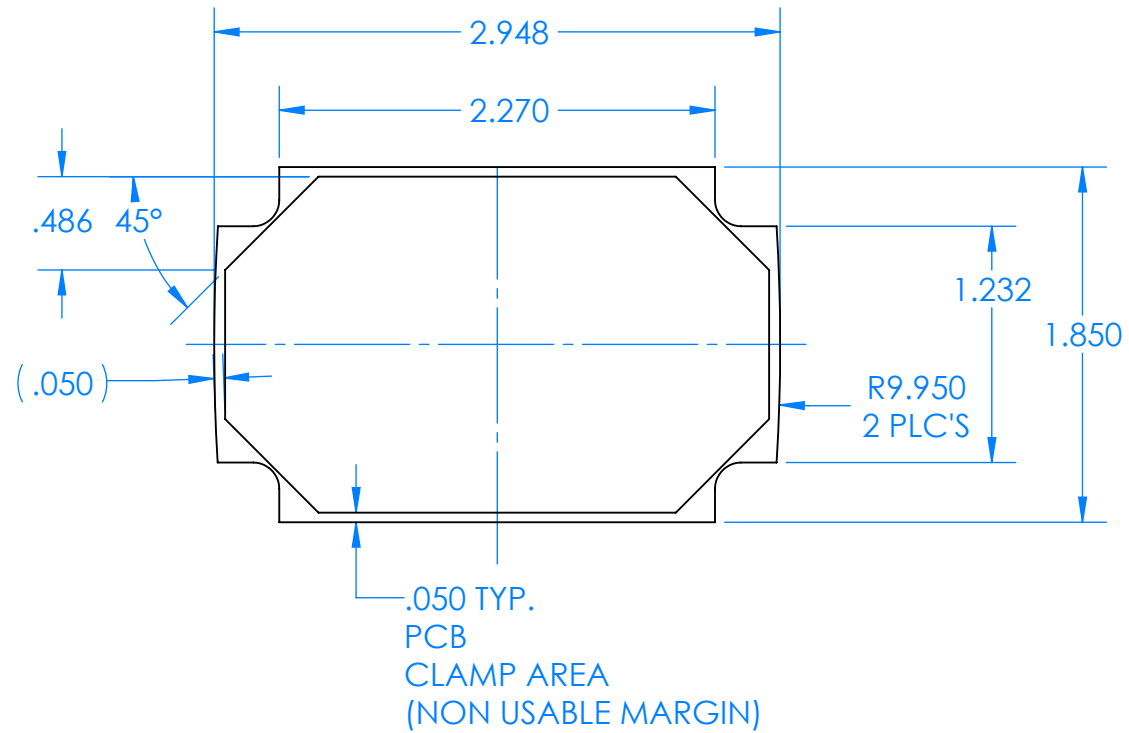


PN	Description
5535D,YY	(1) BW 6C Top,YY
5534D,YY	(1) BW 6B Bottom,YY
5538C,ZZ	(1) BW 6C Small Comolded Strap,ZZ
6002	(4) #2 X 3/8" PH HD screw

-Material: UV stabilized Polycarbonate
Flammability UL 94 V-0
-Watertight enclosure meets or exceeds Nema 4 and or IP67.

Refer to page 1 for:
YY (Enclosure color options)
ZZ (Strap color options)

ALL DIMENSIONS ARE $\pm .010"$ 1/22/2020
2009 Wright Ave. La Verne, CA 91750
Ph. (626) 331-0517 Fx. (626) 331-8584 serpac.com



PCB NOT INCLUDED