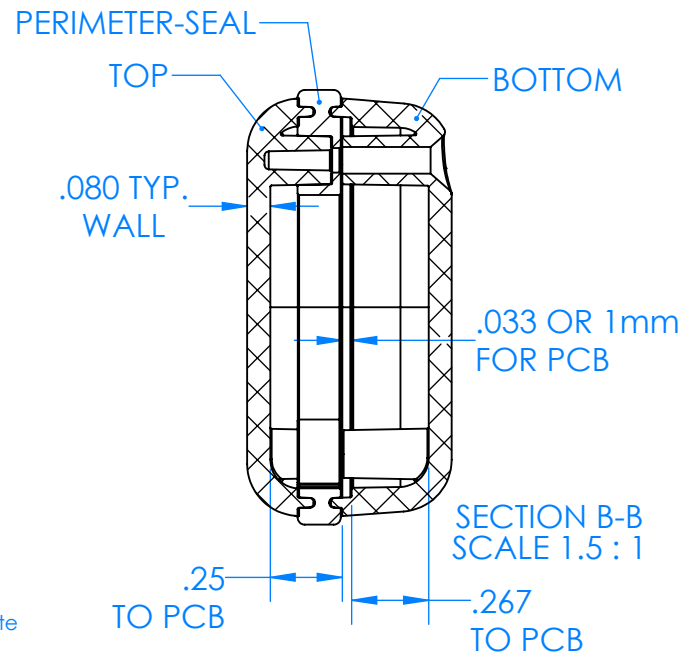
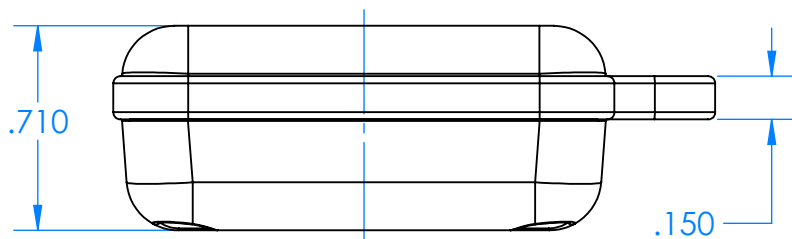
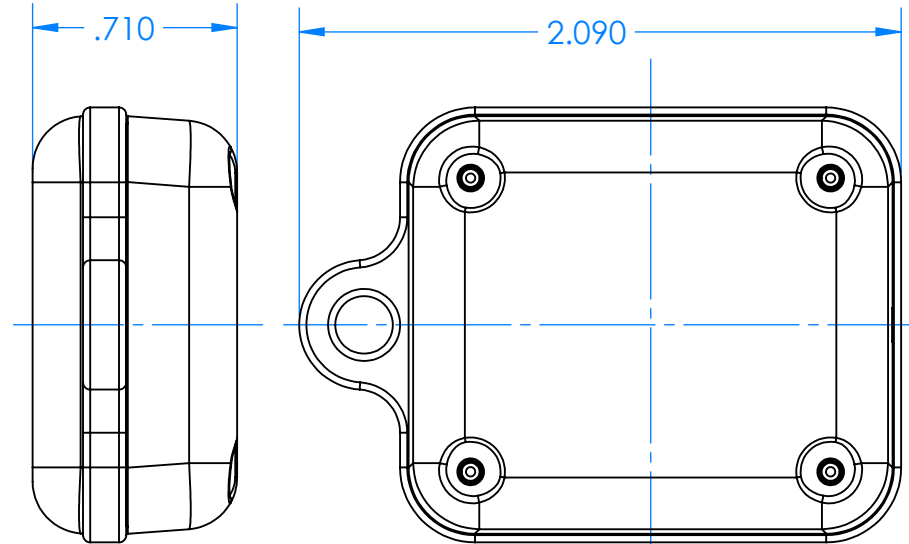
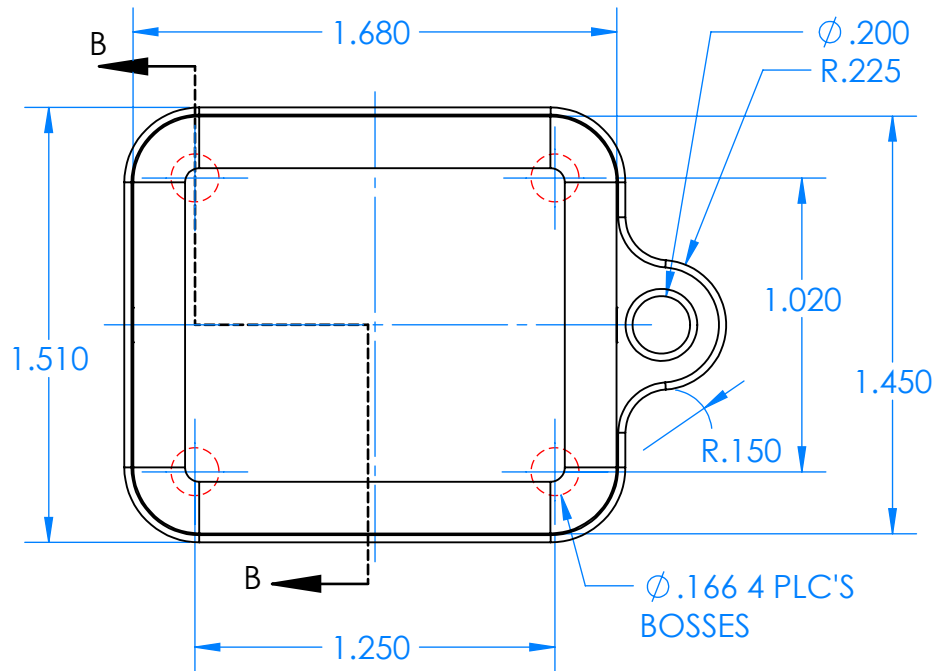


# SERPAC CXL26AYYAZZ

Electronic Enclosures



Color options:  
YY (Enclosure Color)  
BK=Black

ZZ (Seal Color)  
BK=Black  
GM=GunMetal  
YL=Yellow  
OR=Orange  
NO=NeonOrange  
NG=NeonGreen  
BL=Blue

PN	Description
5510A,YY	(1) BW 2A Top,YY
5515A,YY	(1) BW 2C Bottom,YY
5522A,ZZ	(1) CXL2 Perimeter Seal, ZZ
6008	(4) #2 X 9/16" PH HD screw

-Material: UV stabilized Polycarbonate  
Flammability UL 94 V-0  
-Watertight enclosure meets or  
exceed Nema 4 and or IP67.

ALL DIMENSIONS ARE ± .010" 1/28/2020  
2009 Wright Ave. La Verne, CA 91750  
Ph. (626) 331-0517 Fx. (626) 331-8584 serpac.com

# SERPAC CXL26AYYAZZ

Electronic Enclosures

## CIRCUIT BOARD

