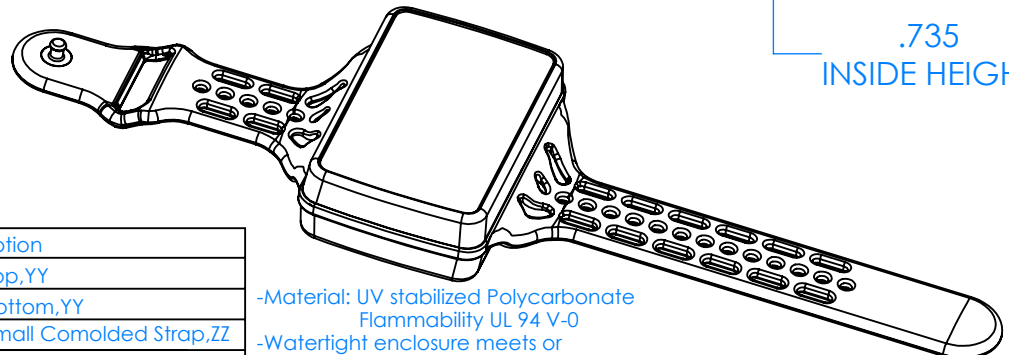
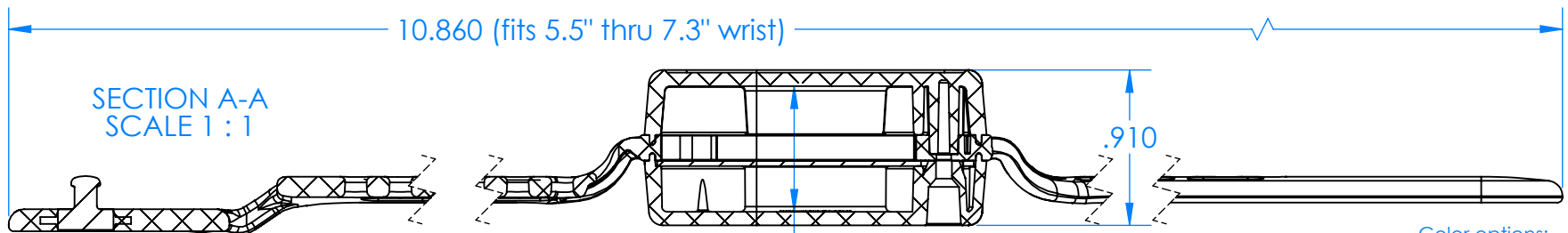
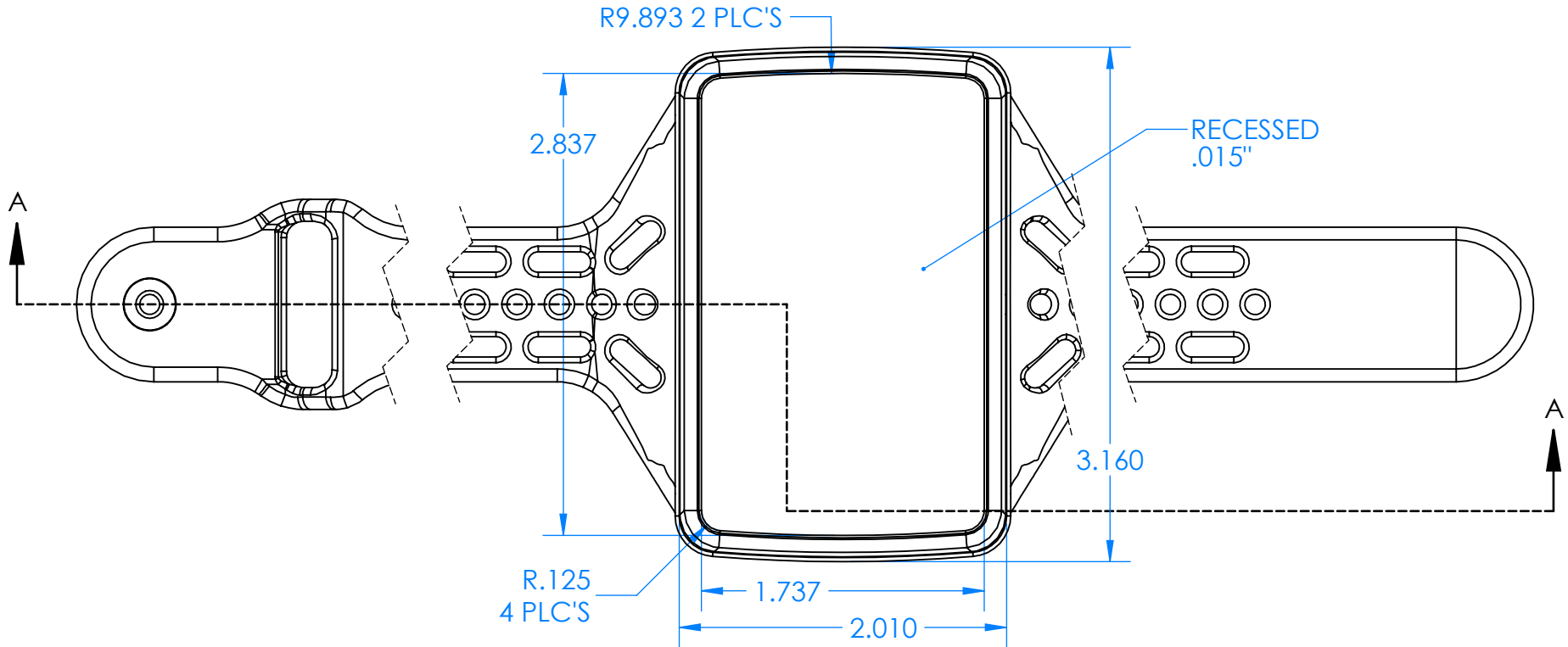


SERPAC BW68DYCSZZ

Electronic Enclosures



Color options:
 YY (Enclosure Color)
 BK=Black

ZZ (Strap Color)
 BK=Black
 GM=GunMetal
 YL=Yellow
 OR=Orange
 NO=NeonOrange
 NG=NeonGreen
 BL=Blue

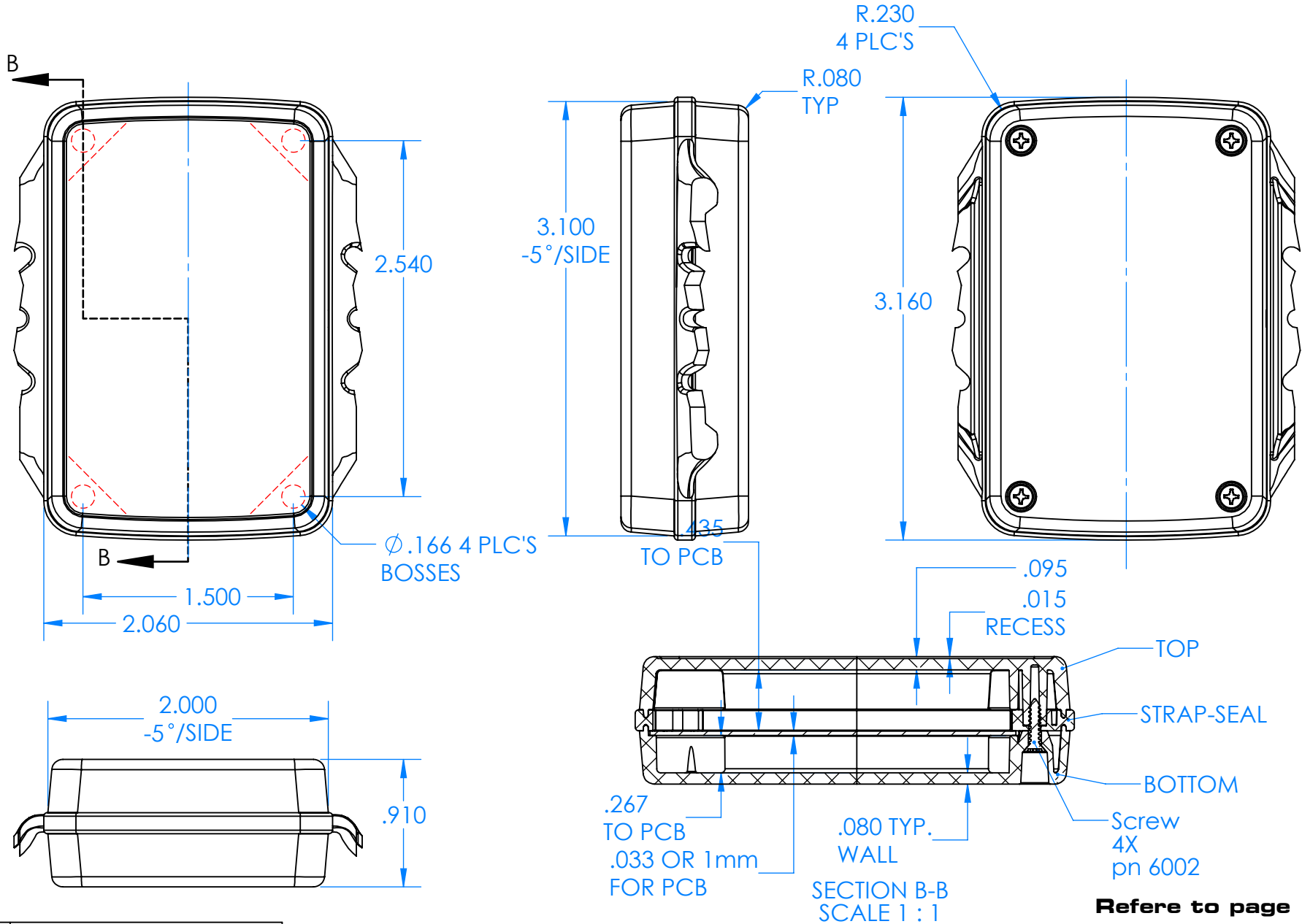
PN	Description
5535D,YY	(1) BW 6C Top,YY
5536D,YY	(1) BW 6C Bottom,YY
5538C,ZZ	(1) BW 6C Small Comolded Strap,ZZ
6002	(4) #2 X 3/8" PH HD screw

-Material: UV stabilized Polycarbonate
 Flammability UL 94 V-0
 -Watertight enclosure meets or
 exceed Nema 4 and or IP67.

ALL DIMENSIONS ARE ± .010" 1/22/2020
 2009 Wright Ave. La Verne, CA 91750
 Ph. (626) 331-0517 Fx. (626) 331-8584 serpac.com

SERPAC BW68DYCSZZ

Electronic Enclosures

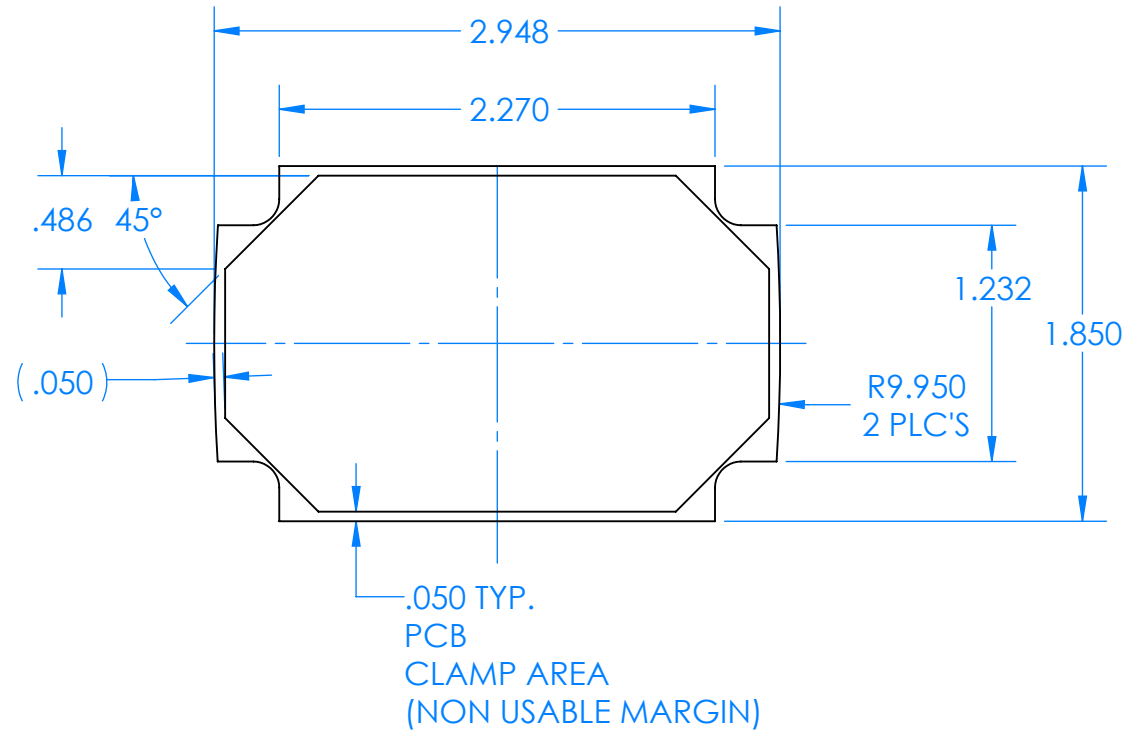


PN	Description
5535D,YY	(1) BW 6C Top,YY
5536D,YY	(1) BW 6C Bottom,YY
5538C,ZZ	(1) BW 6C Small Comolded Strap,ZZ
6002	(4) #2 X 3/8" PH HD screw

-Material: UV stabilized Polycarbonate
Flammability UL 94 V-0
-Watertight enclosure meets or exceed Nema 4 and or IP67.

Refer to page 1 for:
YY (Enclosure color options)
ZZ (Strap color options)

ALL DIMENSIONS ARE $\pm .010"$ 1/22/2020
2009 Wright Ave. La Verne, CA 91750
Ph. (626) 331-0517 Fx. (626) 331-8584 serpac.com



PCB NOT INCLUDED