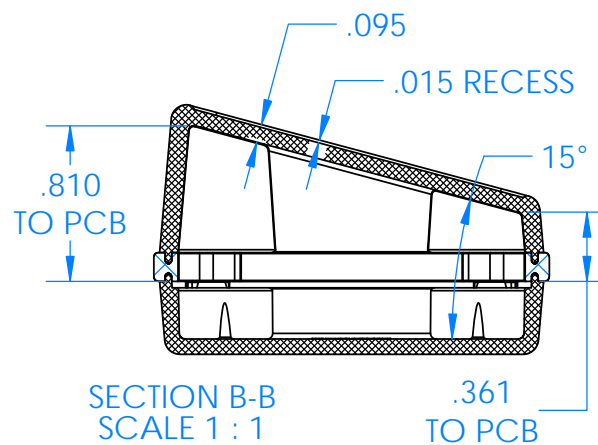
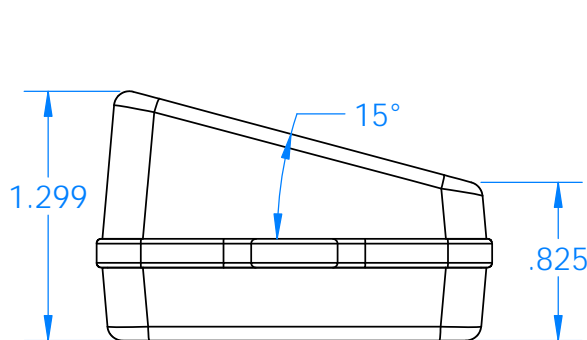
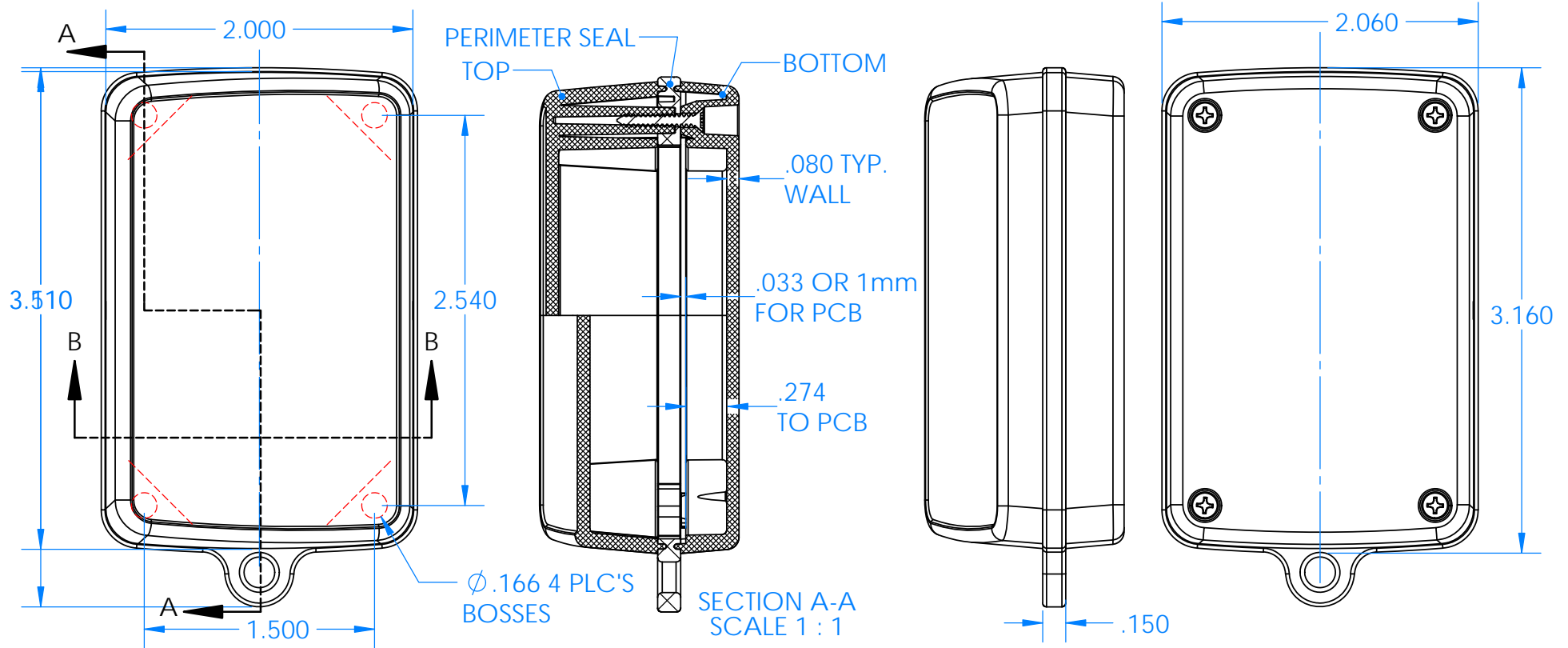


SERPAC CXL67SDYYAZZ

Electronic Enclosures



Color options:
YY (Enclosure Color)
BK=Black

ZZ (Strap Color)
BK=Black
GM=GunMetal
YL=Yellow
OR=Orange
NO=NeonOrange
NG=NeonGreen
BL=Blue

| PN | Description |
|----------|------------------------------------|
| 5537D,YY | (1) BW 6D Slanted Top,YY |
| 5536D,YY | (1) BW 6C Bottom,YY |
| 5540A,ZZ | (1) CX6A Series perimeter seal, ZZ |
| 6002 | (4) #2 X 3/8" PH HD screw |

-Material: UV stabilized Polycarbonate
Flammability UL 94 V-0
-Watertight enclosure meets or exceeds Nema 4 and or IP67.

ALL DIMENSIONS ARE ± .010" 3/6/2020
2009 Wright Ave. La Verne, CA 91750
Ph. (626) 331-0517 Fx. (626) 331-8584 serpac.com

SERPAC CXL67SDYYAZZ

Electronic Enclosures

CIRCUIT BOARD

