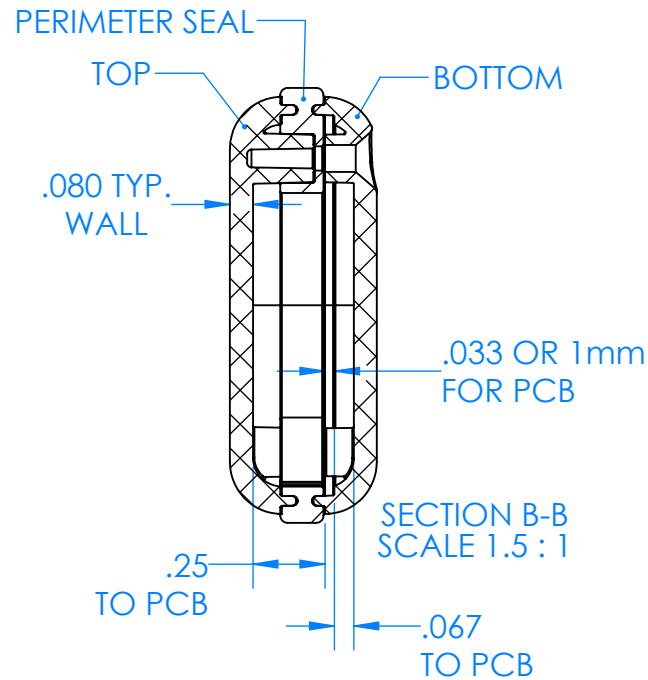
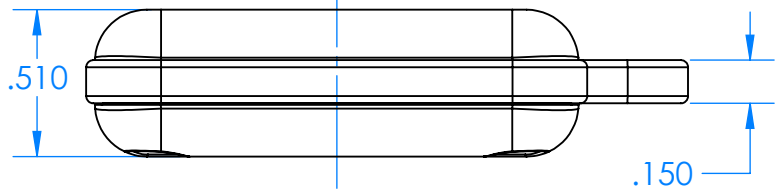
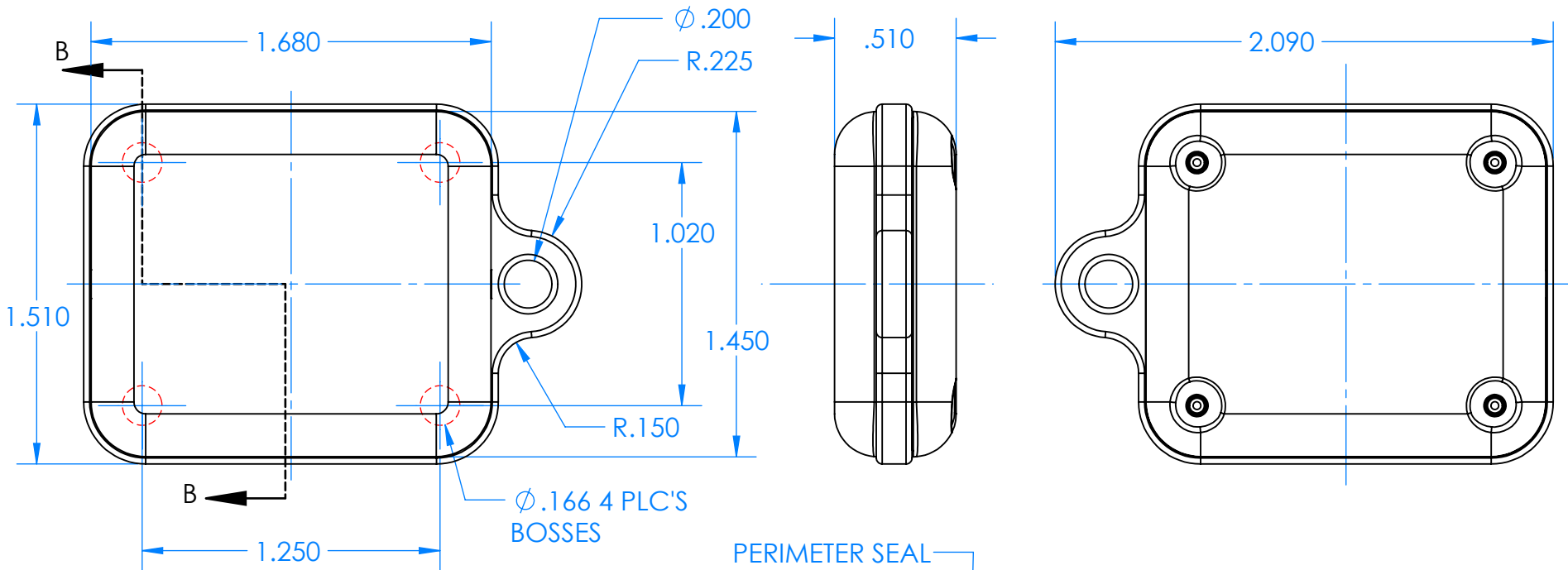


SERPAC CXL20AYYAZZ

Electronic Enclosures



Color options:
 YY (Enclosure Color)
 BK=Black

ZZ (Seal Color)
 BK=Black
 GM=GunMetal
 YL=Yellow
 OR=Orange
 NO=NeonOrange
 NG=NeonGreen
 BL=Blue

PN	Description
5510A,YY	(1) BW 2A Top,YY
5511A,YY	(1) BW 2A Bottom,YY
5522A,ZZ	(1) CXL2 Perimeter Seal, ZZ
6002	(4) #2 X 3/8" PH HD screw

-Material: UV stabilized Polycarbonate
 Flammability UL 94 V-0
 -Watertight enclosure meets or
 exceed Nema 4 and or IP67.

SERPAC CXL20AYYAZZ

Electronic Enclosures

CIRCUIT BOARD

