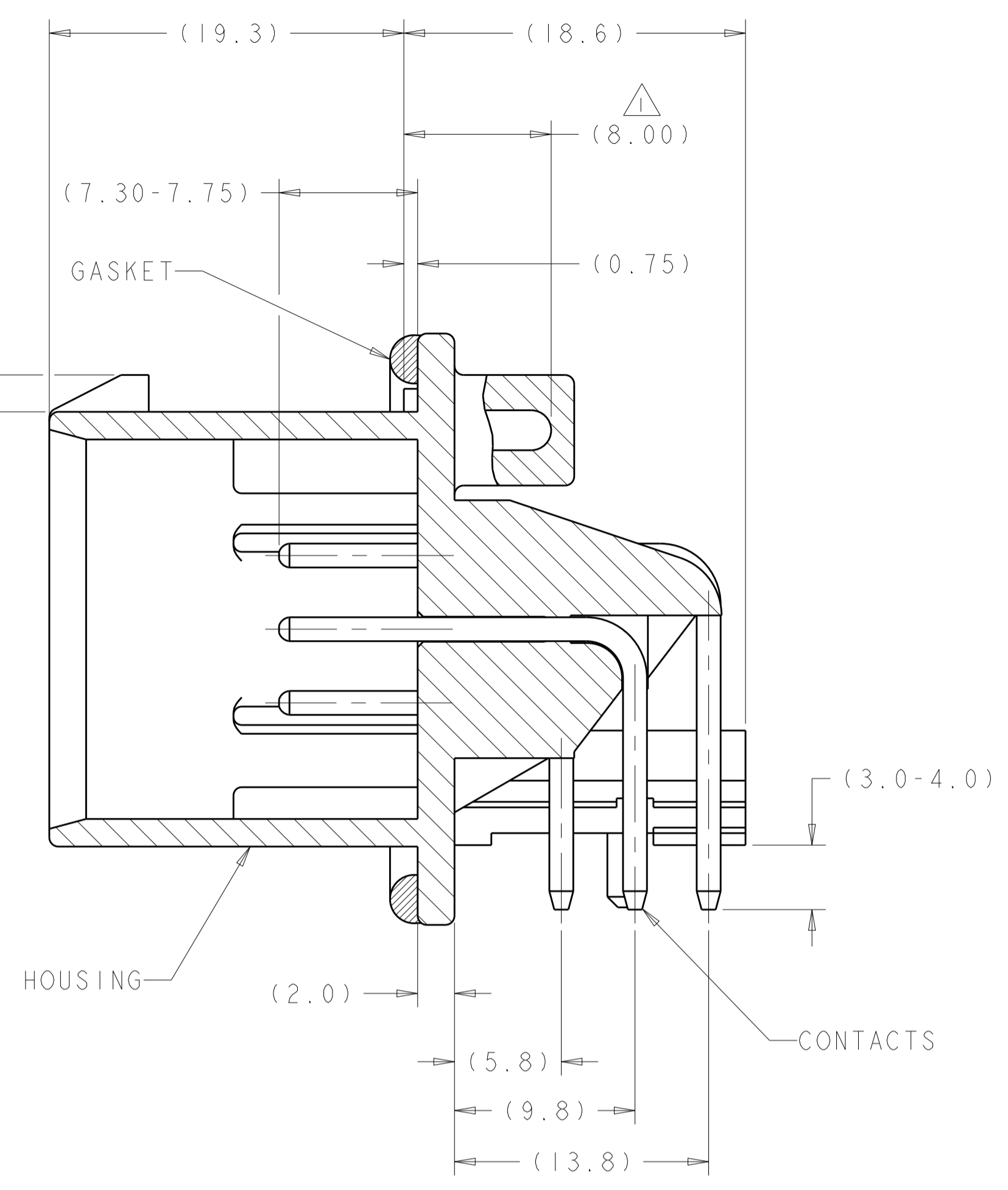
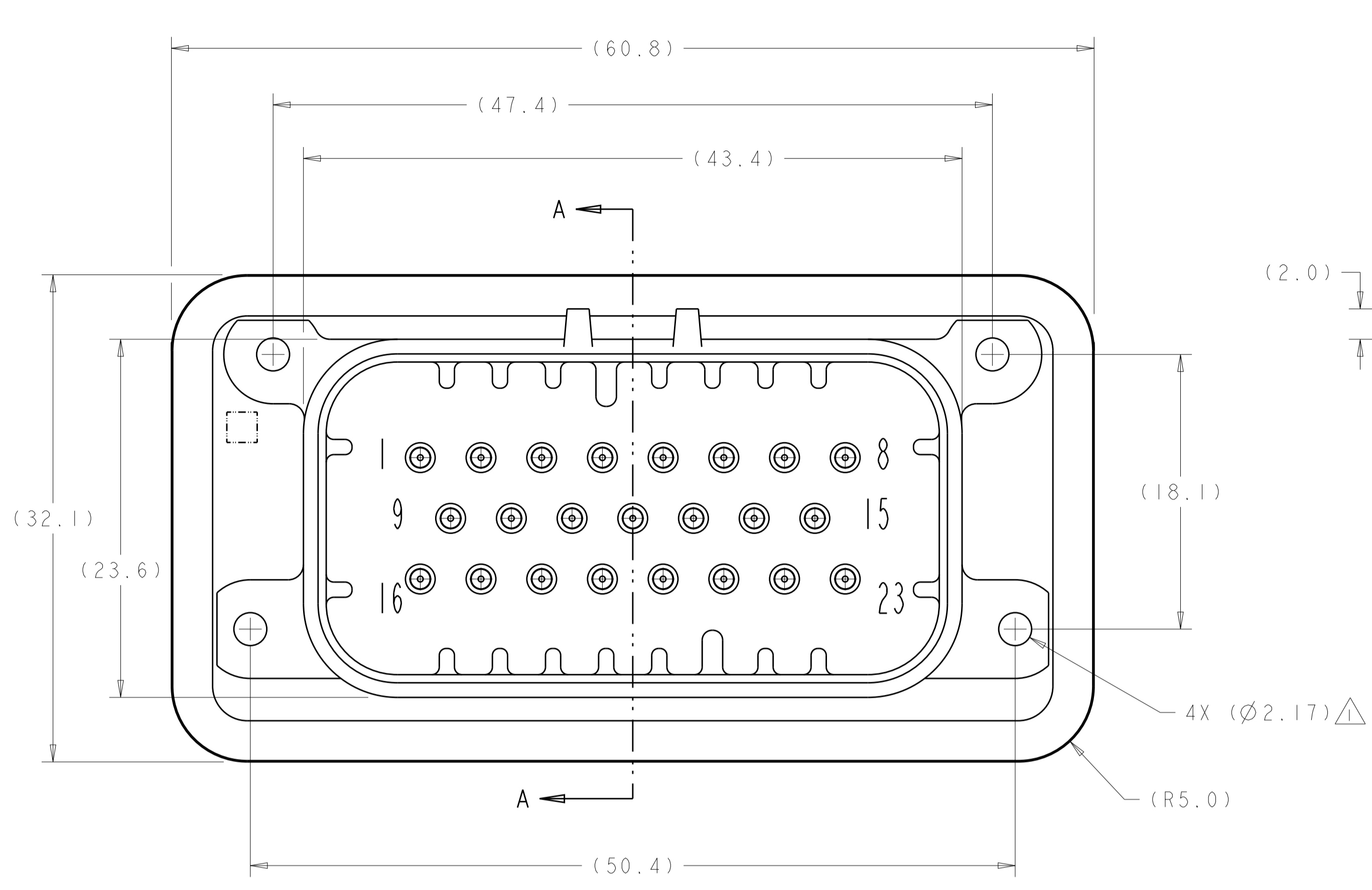
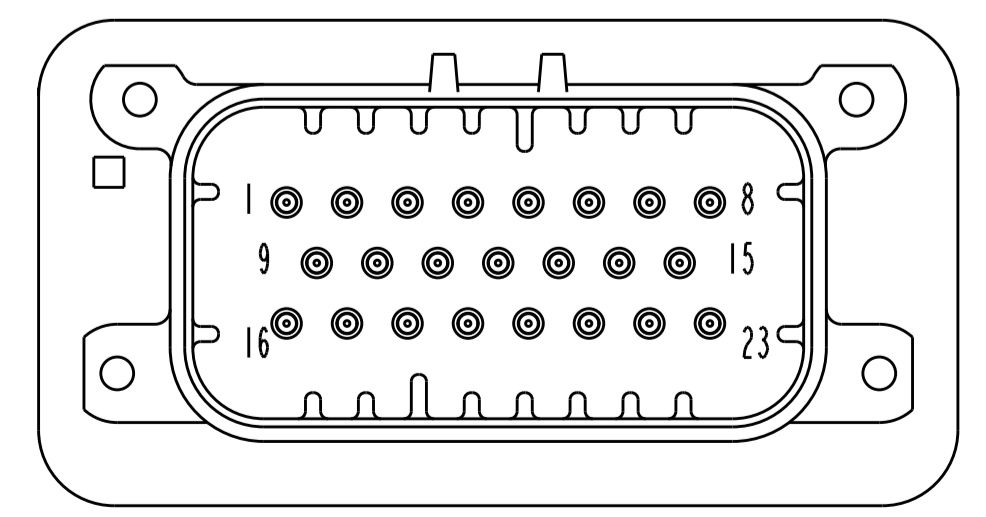
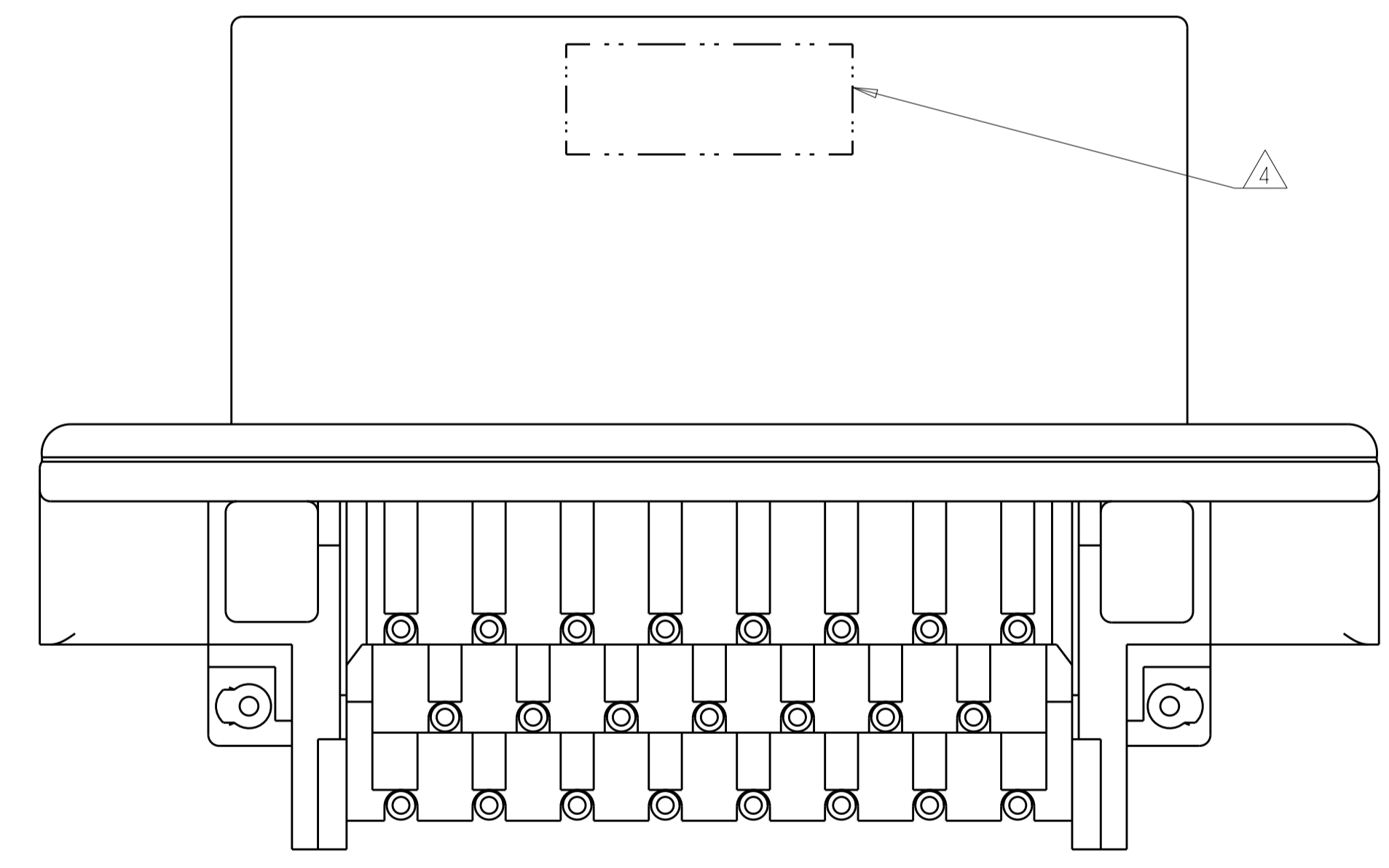


REVISIONS				
P.	LTN	DESCRIPTION	DATE	OWN APVD
E12		REVISED PER ECO-19-009419	20JUN2019	DS DS

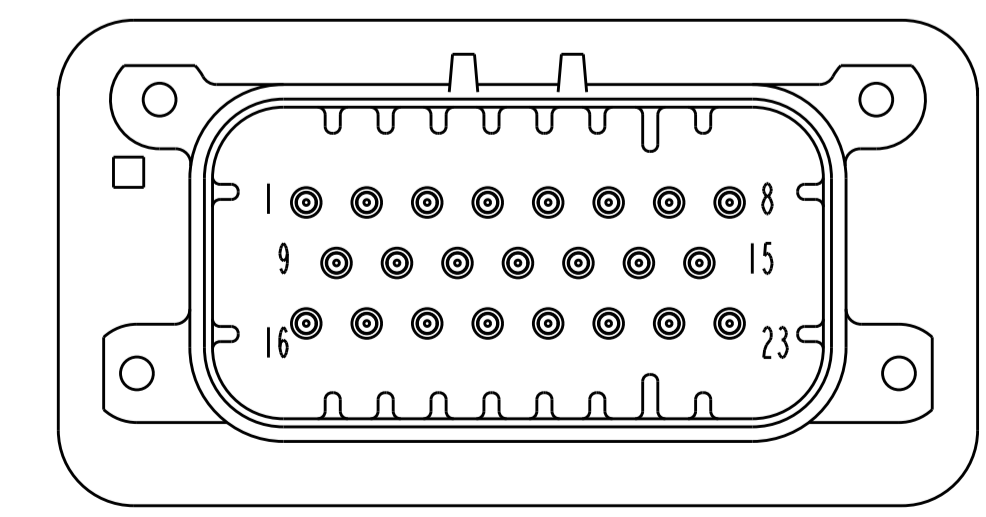


- 1 ACCEPTS SCREW SIZE [Ø0.99 (2.50mm)] SELF TAPPING THREAD FORMING SCREW TO BE DRIVEN AT 0.6-0.8 N-m.
- 2 HOUSING COLORS ARE MECHANICALLY KEYPED TO MATE ONLY WITH IDENTICALLY COLORED PLUG ASSEMBLIES.
- 3 MATERIALS: HEADER HOUSING - GLASS FILED PBT
PINS - TIN OR GOLD PLATED BRASS
GASKET - SILICONE
- 4 DATE CODE IN THIS LOCATION USING 5 DIGIT CODE
FIRST 2 DIGITS = YEAR, SECOND 2 DIGITS = WEEK
LAST DIGIT = DAY
- 5. HEADER MATES TO PLUG ASSEMBLY 770680 WHICH USES REELED TERMINAL 770520 AND LOOSE PIECE TERMINAL 770854

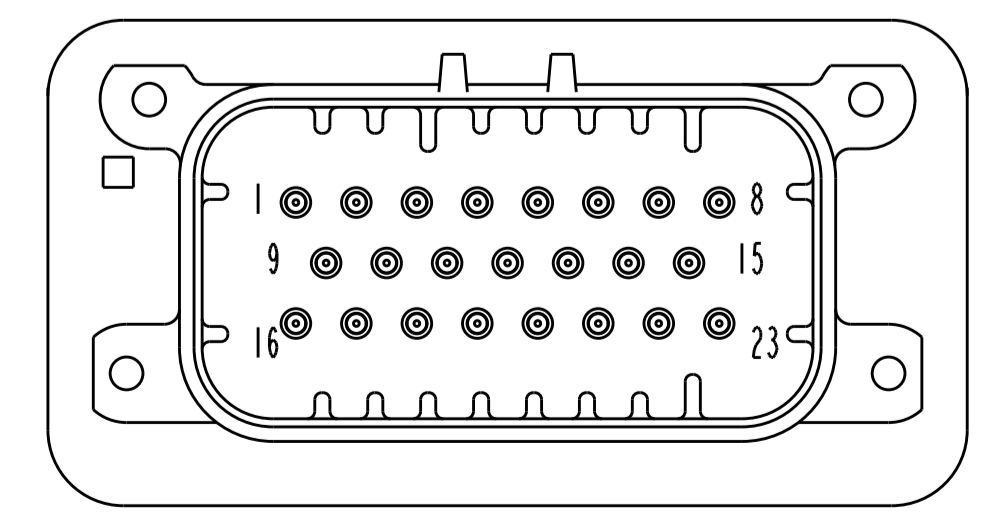
SECTION A-A



776087-2 & 1-776087-2
 KEY LOCATION AS SHOWN
 SCALE 2:1



776087-4 & 1-776087-4
 KEY LOCATION AS SHOWN
 SCALE 2:1



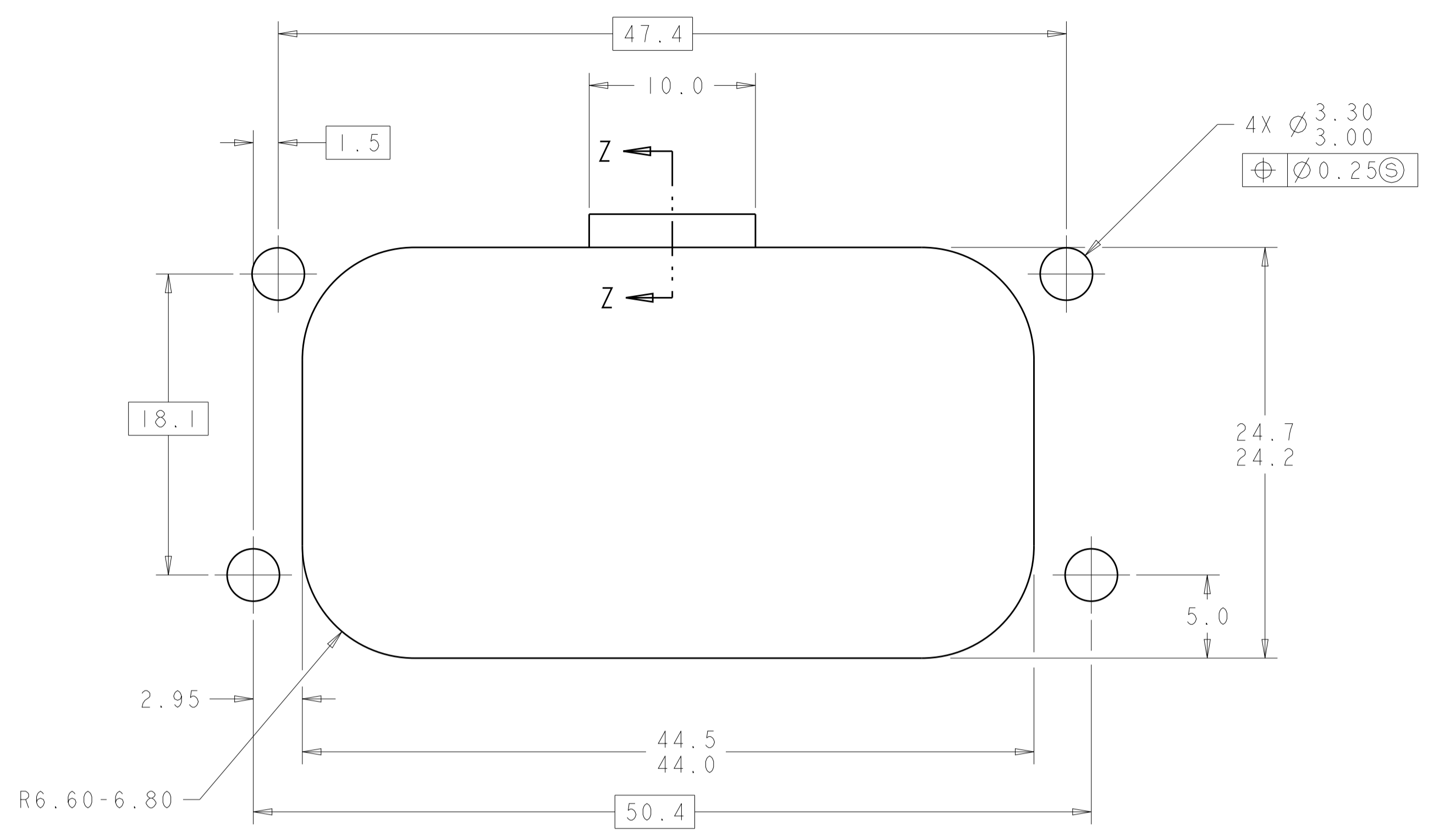
776087-5 & 1-776087-5
 KEY LOCATION AS SHOWN
 SCALE 2:1

776087-1 & 1-776087-1
 KEY LOCATION AS SHOWN

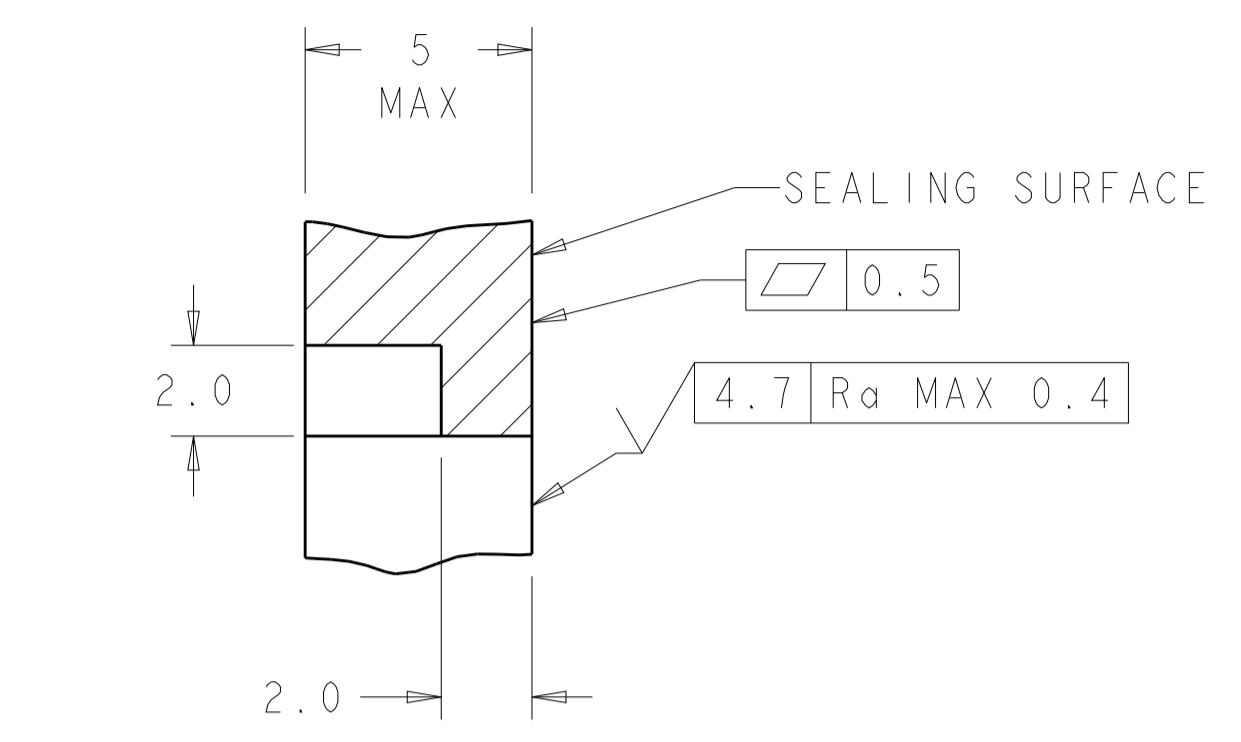
GOLD	BLUE	1-776087-5
GOLD	GRAY	1-776087-4
GOLD	NATURAL (WHITE)	1-776087-2
GOLD	BLACK	1-776087-1
TIN	BLUE	776087-5
TIN	GRAY	776087-4
TIN	NATURAL (WHITE)	776087-2
TIN	BLACK	776087-1
FINISH	COLOR	PART NUMBER

THIS DRAWING IS A CONTROLLED DOCUMENT.		OWN: R. VESTAL 31DEC2002	TE Connectivity	
DIMENSIONS: mm		CHK: D. CROWE 31DEC2002	NAME: HEADER ASSEMBLY, 23 POSITION, RIGHT ANGLE, AMPSEAL	
TOLERANCES UNLESS OTHERWISE SPECIFIED:		APVD: D. CROWE 31DEC2002	SIZE: CAGE CODE DRAWING NO. RESTRICTED TO	
0 PLC	±	PRODUCT SPEC	A100779C=776087	
1 PLC	±0.2	108-1329	SCALE 4:1 SHEET 1 OF 2 REV E12	
2 PLC	±	APPLICATION SPEC		
3 PLC	±	114-16016		
4 PLC	±	WEIGHT 29.04g		
ANGLES	±	CUSTOMER DRAWING		

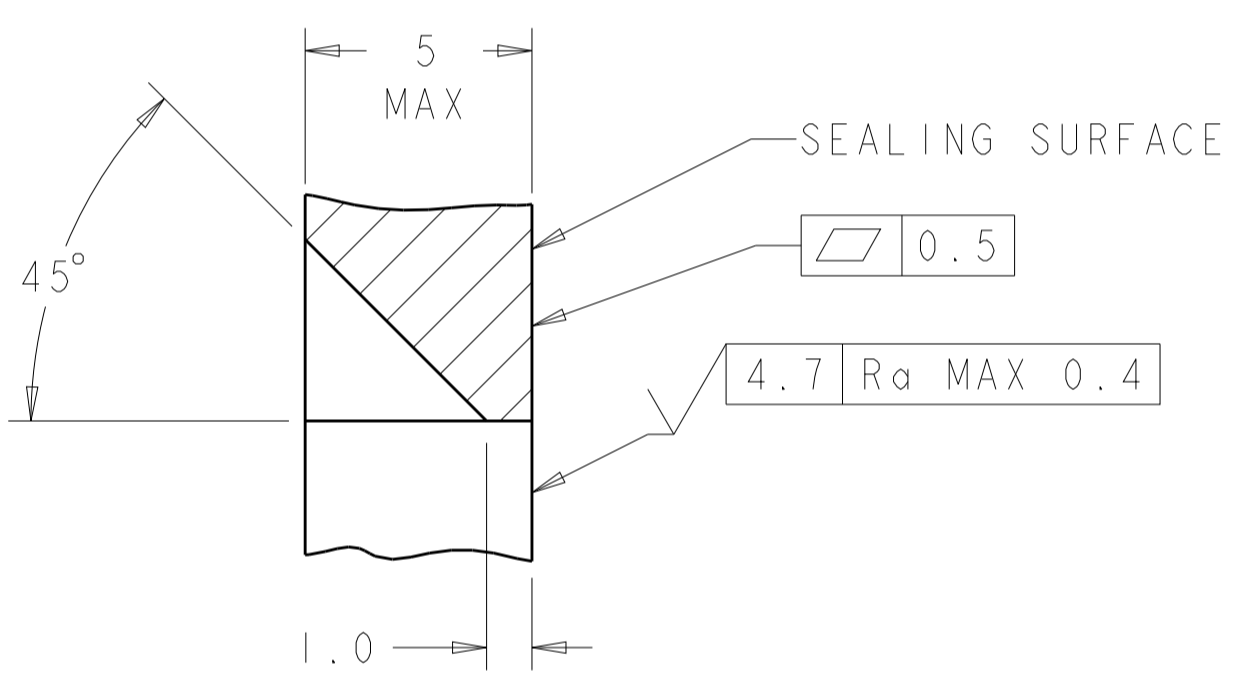
REVISIONS				
P.	LTN.	DESCRIPTION	DATE	APPD.
-	-	SEE SHEET 1	-	-



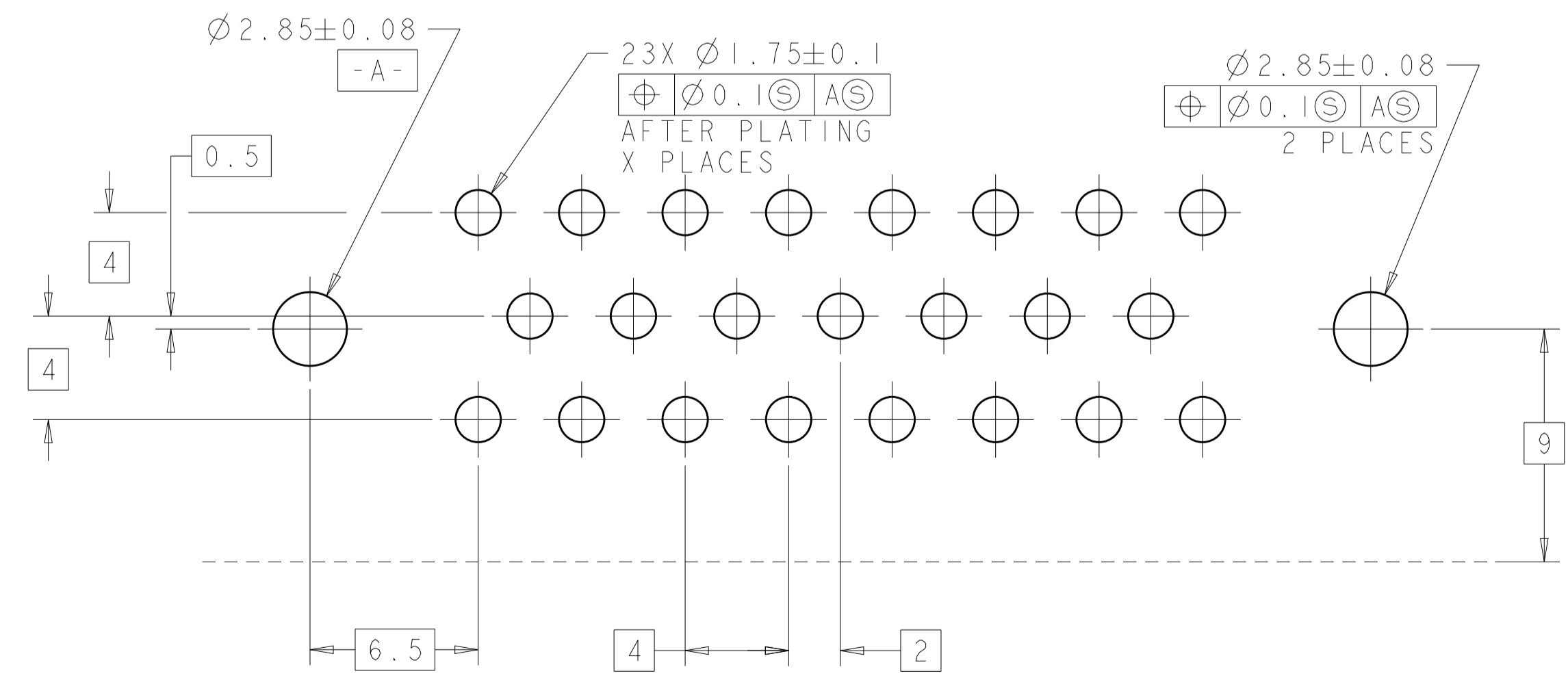
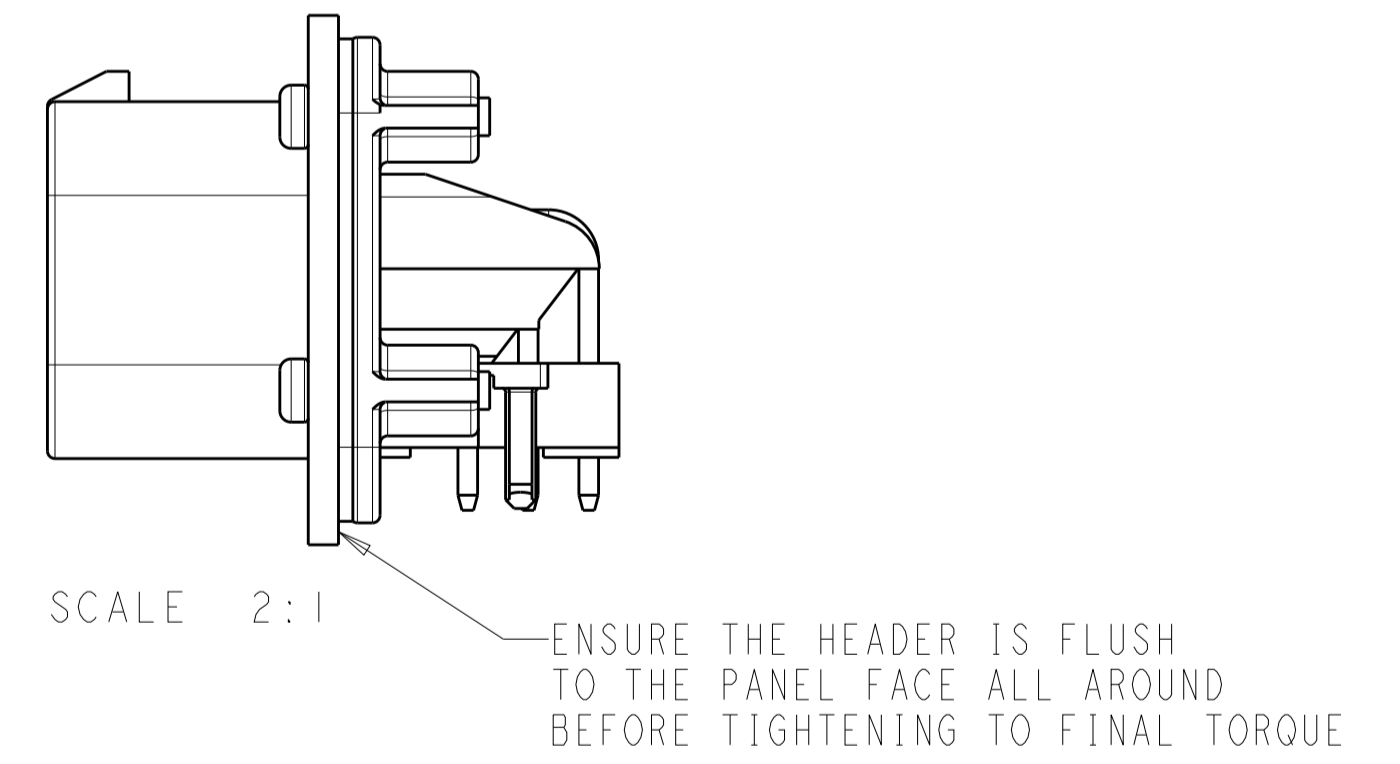
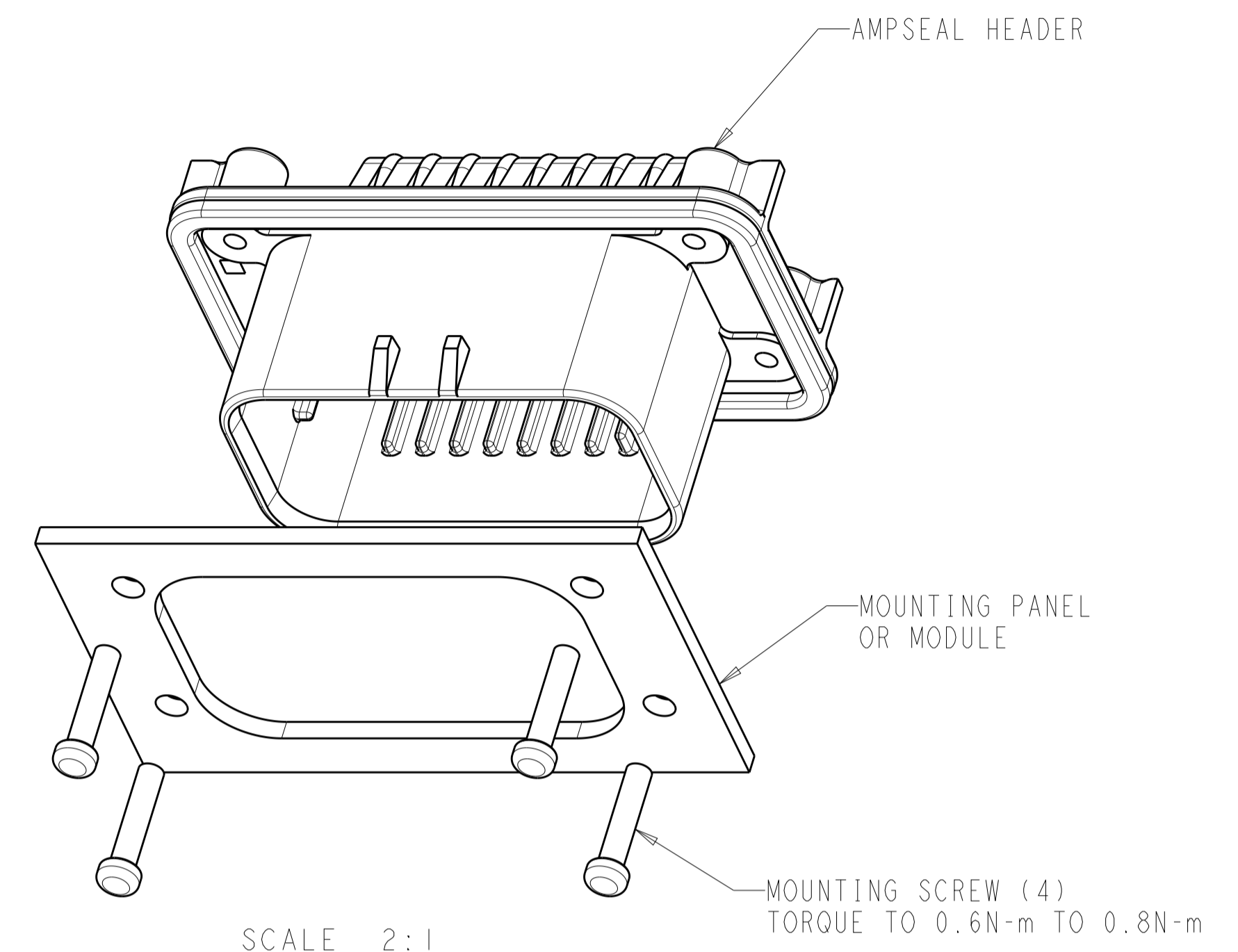
RECOMMENDED MOUNTING HOLE LAYOUT FOR 5.0 MAX THICK PANEL



SECTION Z-Z
 OPTIONAL CONSTRUCTION IF THICKNESS IS GREATER THAN 2.0
 SCALE 6:1



SECTION Z-Z
 OPTIONAL CONSTRUCTION IF THICKNESS IS GREATER THAN 2.0
 SCALE 6:1



RECOMMENDED P.C. BOARD LAYOUT FOR 1.57 THICK P.C. BOARD

THIS DRAWING IS A CONTROLLED DOCUMENT.		DWN R. VESTAL 31DEC2002 CHK D. CROWE 31DEC2002 APPD D. CROWE 31DEC2002	TE Connectivity
DIMENSIONS: mm 	TOLERANCES UNLESS OTHERWISE SPECIFIED: 0 PLC ± 1 PLC ±0.3 2 PLC ±0.13 3 PLC ± 4 PLC ± ANGLES ±	NAME PRODUCT SPEC 108-1329 APPLICATION SPEC 114-16016 WEIGHT 29.04g CUSTOMER DRAWING	